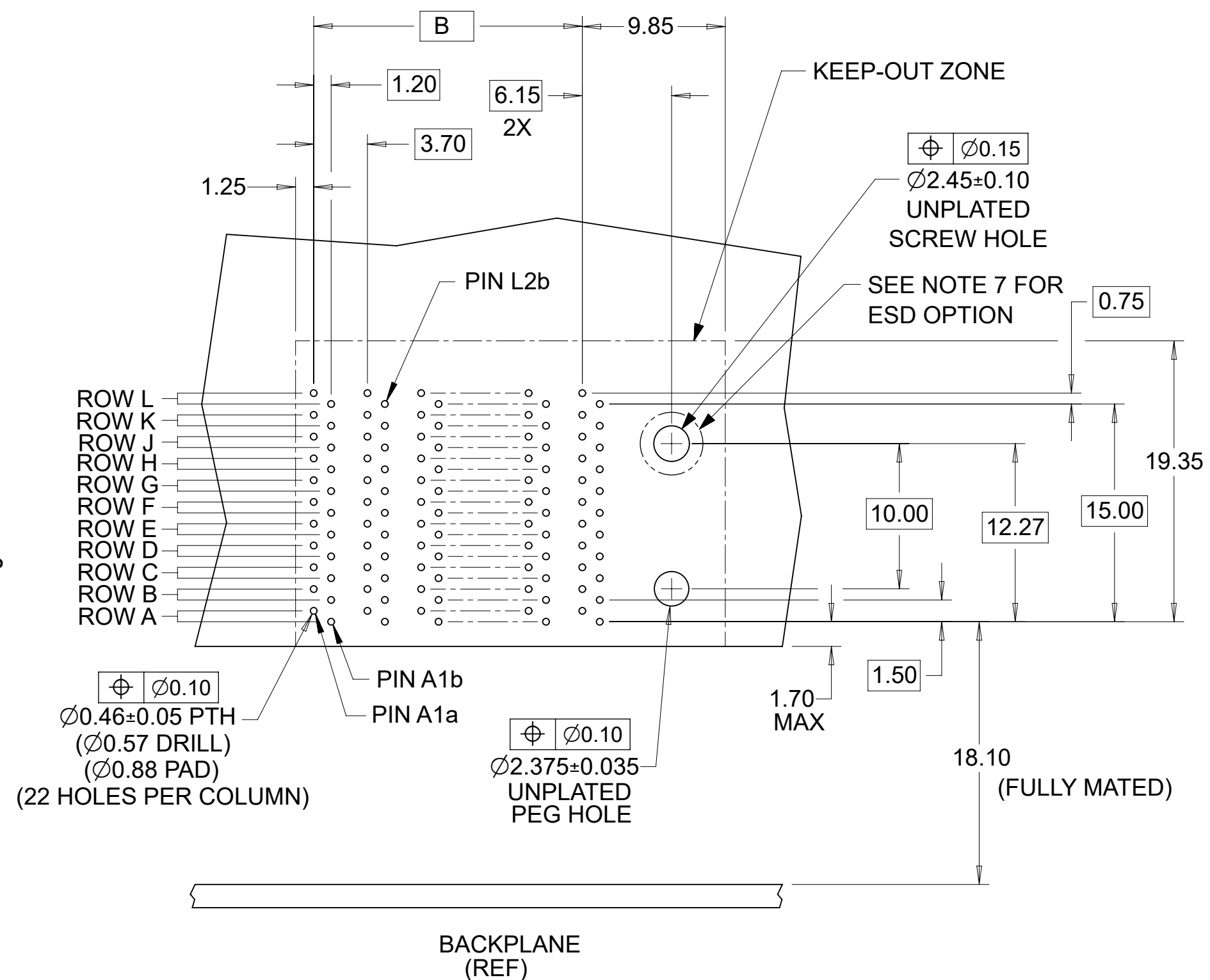
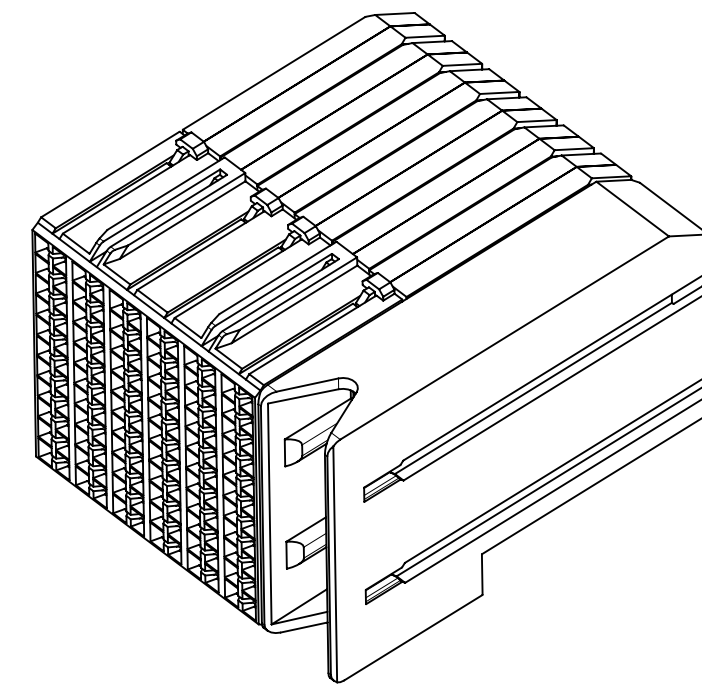
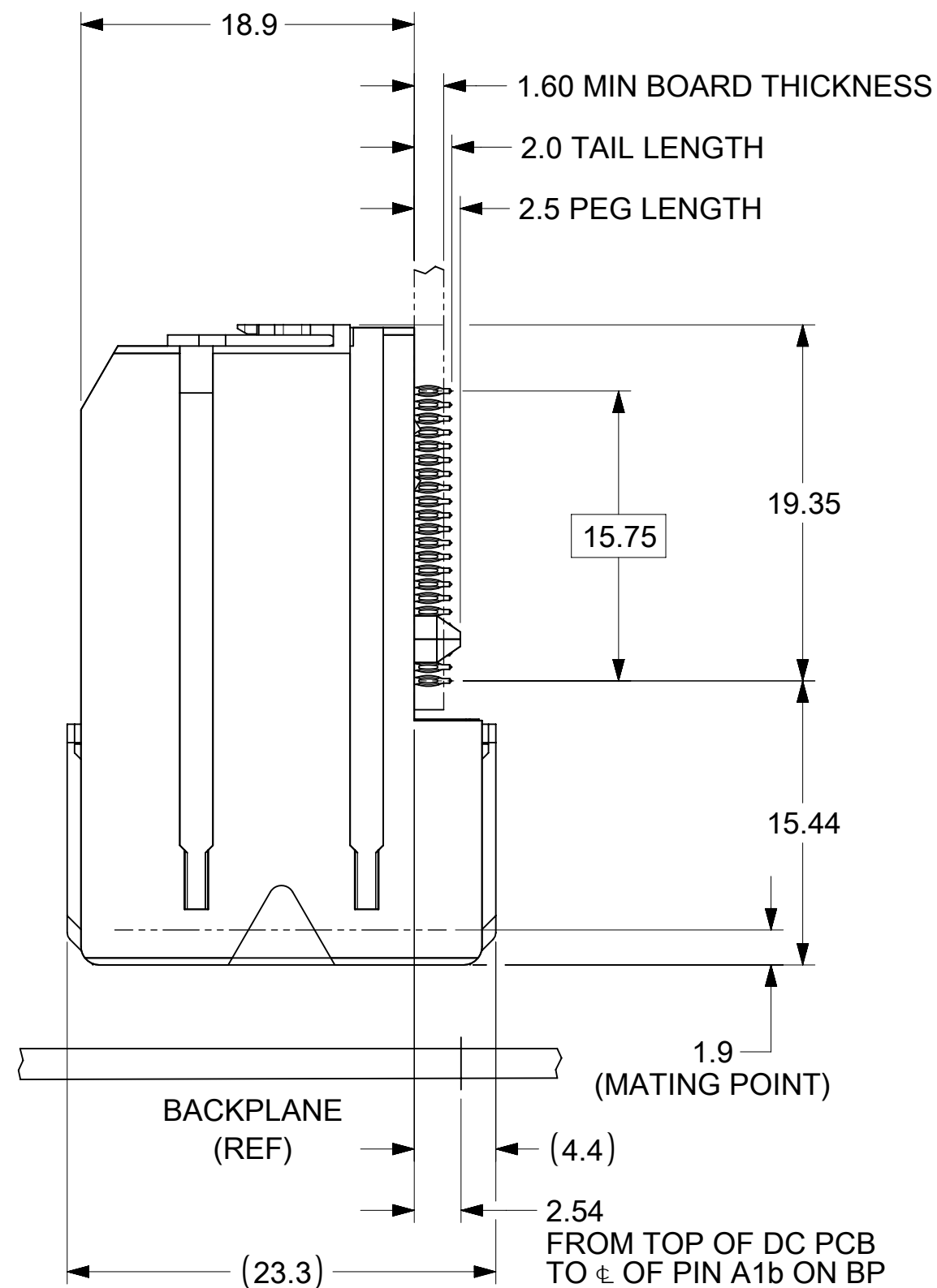


KEY SHOWN IN POSITION "B"



DAUGHTERCARD HOLE PATTERN (CONNECTOR SIDE)

NOTES:

1. MATERIALS: HOUSING - LIQUID CRYSTAL POLYMER (LCP) GLASS-FILLED, UL94V-0
TERMINALS - HIGH PERFORMANCE COPPER ALLOY
2. FINISH: SELECTIVE GOLD IN CONTACT AREA.
SLECTIVE MATTE TIN ON PCB TAILS. NICKEL OVERALL
3. REFER TO MOLEX PRODUCT SPECIFICATION PS-75710-999 FOR PERFORMANCE SPECS.
4. PRODUCT IS PACKAGED PER PK-70873-609.
5. THIS PART CONFORMS TO CLASS B REQUIREMENTS OF COSMETIC SPEC PS-45499-002.
6. GUIDED PARTS TO BE SHIPPED WITH 2-32 TYPE AB
SELF-TAPPING SCREW P/N 73726-0000.
7. FOR GROUNDED GUIDE MODULES USE DIA 2.45+/-0.10 (PTH), DIA 2.58 (DRILL).
AND DIA 4.50 (PAD)
8. MAPS (MOLEX ADVANCED PLATING SYSTEM)

THIS DRAWING CONTAINS INFORMATION THAT IS PROPRIETARY TO MOLEX ELECTRONIC TECHNOLOGIES, LLC AND SHOULD NOT BE USED WITHOUT WRITTEN PERMISSION									
DIMENSION UNITS		SCALE		CURRENT REV DESC: REMASTERED TO NX					
mm		NTS		<p>I-TRAC DAUGHTERCARD 11 ROW SIGNAL MODULE GUIDE RIGHT SALES DWG</p> <p>PRODUCT CUSTOMER DRAWING</p> <p>DOCUMENT NUMBER: SD-75710-004 DOC TYPE: PSD DOC PART: 001 REVISION: E1</p> <p>MATERIAL NUMBER: SEE TABLE CUSTOMER: GENERAL MARKET SHEET NUMBER: 1 OF 2</p>					
GENERAL TOLERANCES (UNLESS SPECIFIED)									
ANGULAR TOL ± 0.5°									
4 PLACES ±		EC NO: 671119							
3 PLACES ±		DRWN: YOGEEB 2021/06/28							
2 PLACES ± 0.13		CHK'D: VINODM3 2022/01/31							
1 PLACE ± 0.25		APPR: CWANG25 2022/02/18							
0 PLACES ±		INITIAL REVISION:							
DRAFT WHERE APPLICABLE MUST REMAIN WITHIN DIMENSIONS		THIRD ANGLE PROJECTION		DRAWING: C-SIZE		SERIES: 75710		2006/06/19	
				2006/06/21					

75710-****

MODULE TYPE -- TAIL PLATING TYPE
 GUIDE RIGHT -- MATTE TIN (FORMERLY TIN/LEAD) = 4
 GUIDE RIGHT -- MATTE TIN = 5

POLARIZATION KEY ORIENTATION
 0 = NO KEY
 1 = A 5 = E
 2 = B 6 = F
 3 = C 7 = G
 4 = D 8 = H

OF COLUMNS/PLATING
 05 = 5 COL 30 GOLD
 06 = 6 COL 30 GOLD
 08 = 8 COL 30 GOLD
 10 = 10 COL 30 GOLD
 55 = 5 COL W/ESD 30 GOLD
 56 = 6 COL W/ESD 30 GOLD
 58 = 8 COL W/ESD 30 GOLD
 50 = 10 COL W/ESD 30 GOLD
 25 = 5 COL 10 GOLD (MAPS)
 26 = 6 COL 10 GOLD (MAPS)
 28 = 8 COL 10 GOLD (MAPS)
 20 = 10 COL 10 GOLD (MAPS)
 65 = 5 COL W/ESD 10 GOLD (MAPS)
 66 = 6 COL W/ESD 10 GOLD (MAPS)
 68 = 8 COL W/ESD 10 GOLD (MAPS)
 60 = 10 COL W/ESD 10 GOLD (MAPS)

MATERIAL NUMBER	# OF COLUMNS	DIM "A" MAX	DIM "B"
75710-***5	5	25.90	14.80
75710-***6	6	29.60	18.50
75710-***8	8	37.00	25.90
75710-***0	10	44.40	33.30

THIS DRAWING CONTAINS INFORMATION THAT IS PROPRIETARY TO MOLEX ELECTRONIC TECHNOLOGIES, LLC AND SHOULD NOT BE USED WITHOUT WRITTEN PERMISSION

DIMENSION UNITS mm	SCALE NTS	CURRENT REV DESC: REMASTERED TO NX		molex				
GENERAL TOLERANCES (UNLESS SPECIFIED)		EC NO: 671119					I-TRAC DAUGHTERCARD 11 ROW SIGNAL MODULE GUIDE RIGHT SALES DWG	
ANGULAR TOL ± 0.5°		DRWN: YOGEEB		2021/06/28				
4 PLACES ±		CHK'D: VINODM3		2022/01/31				
3 PLACES ±		APPR: CWANG25		2022/02/18				
2 PLACES ± 0.13		INITIAL REVISION:		PRODUCT CUSTOMER DRAWING				
1 PLACE ± 0.25		DRWN: MCARRANZA		DOCUMENT NUMBER				
0 PLACES ±		APPR: JLAURX		SD-75710-004				
DRAFT WHERE APPLICABLE MUST REMAIN WITHIN DIMENSIONS	THIRD ANGLE PROJECTION 	DRAWING C-SIZE	SERIES 75710	MATERIAL NUMBER SEE TABLE	CUSTOMER GENERAL MARKET	DOC TYPE PSD	DOC PART 001	REVISION E1