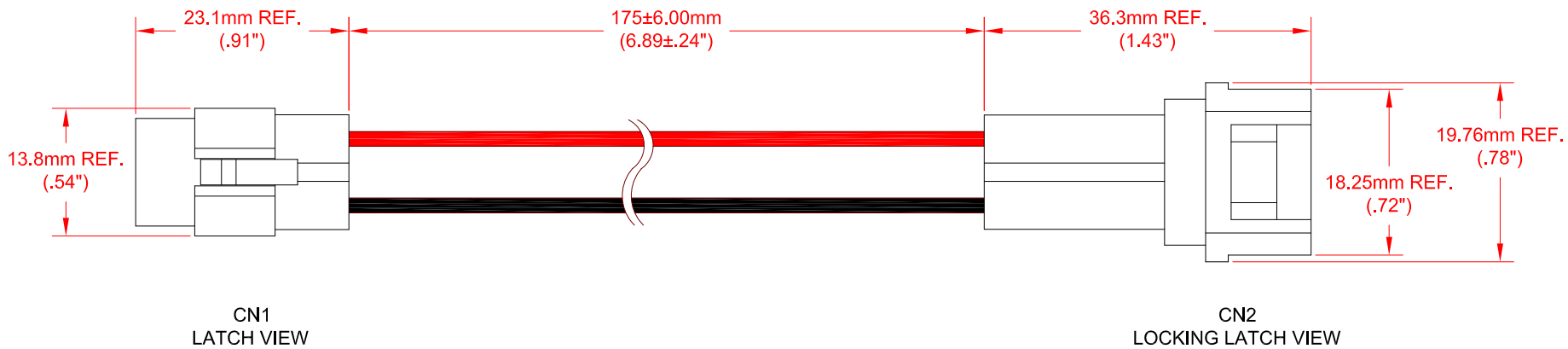


REV.	DESCRIPTION/ECO NO.	DATE
	RELEASE	2/25/13
A	CHNG. LEAD LENGTH TOLERANCE	6/10/13



CONNECTOR	PIN	CONNECTOR	PIN	WIRE TYPE	AWG	COLOR
CN1	1	CN2	2	UL 1007	22	RED
	2		1	UL 1007	22	BLACK

JKL PART NO.: ZWF-175-J

USED WITH JKL ZWF-MULTI LED LIGHT BARS

<p>THIRD ANGLE PROJECTION</p>	DIMENSIONS ARE IN mm (INCHES)		JKL COMPONENTS CORPORATION			
	TOLERANCE UNLESS OTHERWISE SPECIFIED 1 PL +/- REF. 2 PL +/- REF. ANGLE +/- 0					
DRAWN BY L. WENGSTROM	APPV'D BY L.R.	DATE 6/10/13	SIZE A	FSCM NO. 55335	DRAWING NO. ZWF-175-J	
- CAD DRAWING - MANUAL REVISIONS NOT PERMITTED			SCALE NONE	RELEASED DATE 2/25/13	REVISION DATE 6/10/13	REV. NO. A
						SHEET 1 OF 1