

B0673-SCH-01

RD1-4320 -- Pegasus STDP4320 Splitter (DP) Reference Design

PCB# 400-657

## Revision History

SCHEMATIC	SHEET
01. Contents, Revision History	1
02. Block Diagram	2
03. Power Supply	3
04. DPRx Input	4
05. STDP4320 System Section	5
06. STDP4320 Power Section	6
07. STDP4320 Accessories	7
08. DPTx Output #0	8
09. DPTx Output #1	9
10. S/PDIF Outputs	10

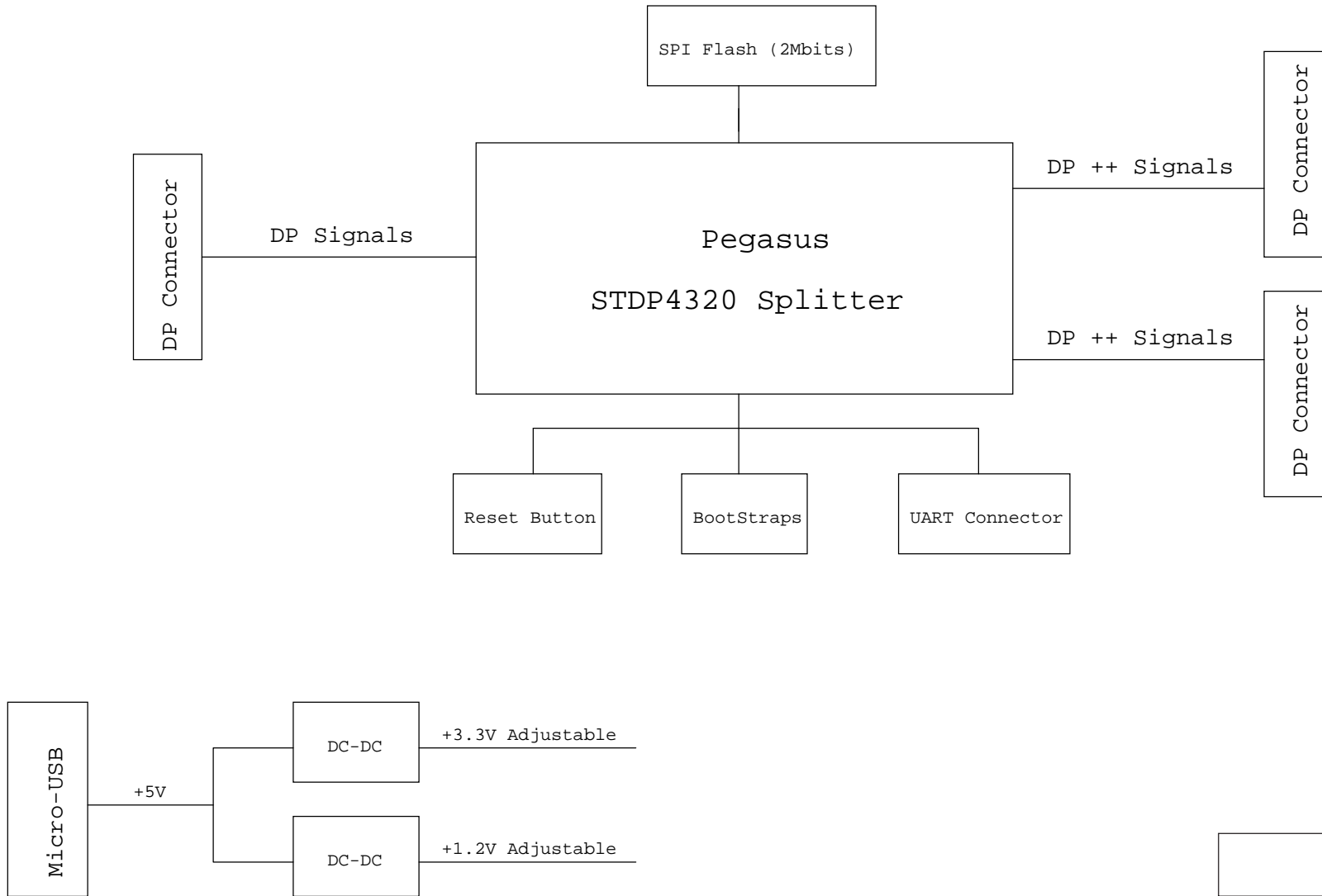
Date	Version	Comments
May 10, 2011	A	Preliminary release.
9/24/2014	B	Converted to MegaChips format, Fixed typos on page 5,6,7
March 13, 2020	Rev. 03a	Update to Kinetic format.

### Layout Notes:

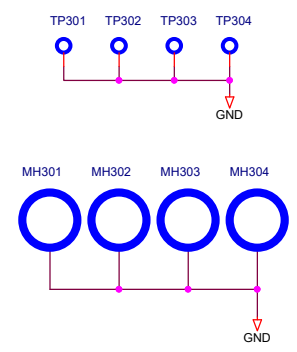
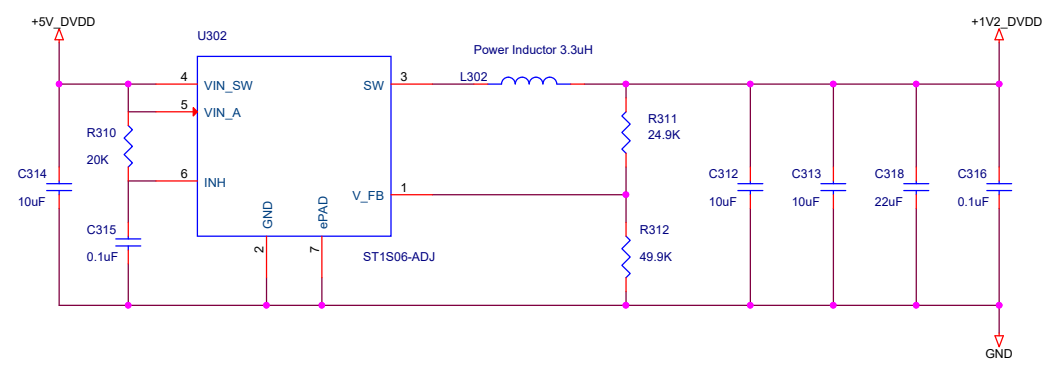
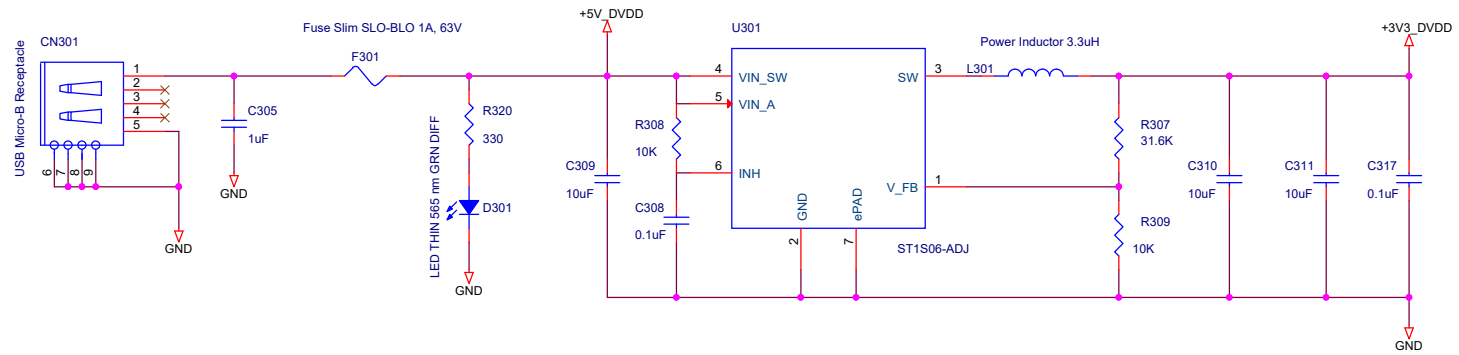
1. 50 ohms impedance on all LVTTTL traces
2. 100 ohms differential impedance on all HDMI trace pairs
3. 100 ohms differential impedance on all DP trace pairs
4. 6 Layers PCB, THK = 0.062 inches



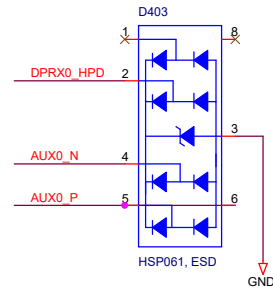
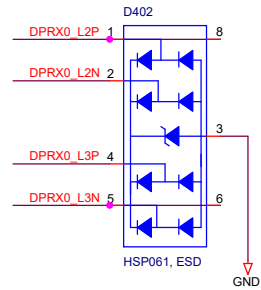
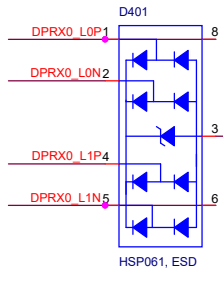
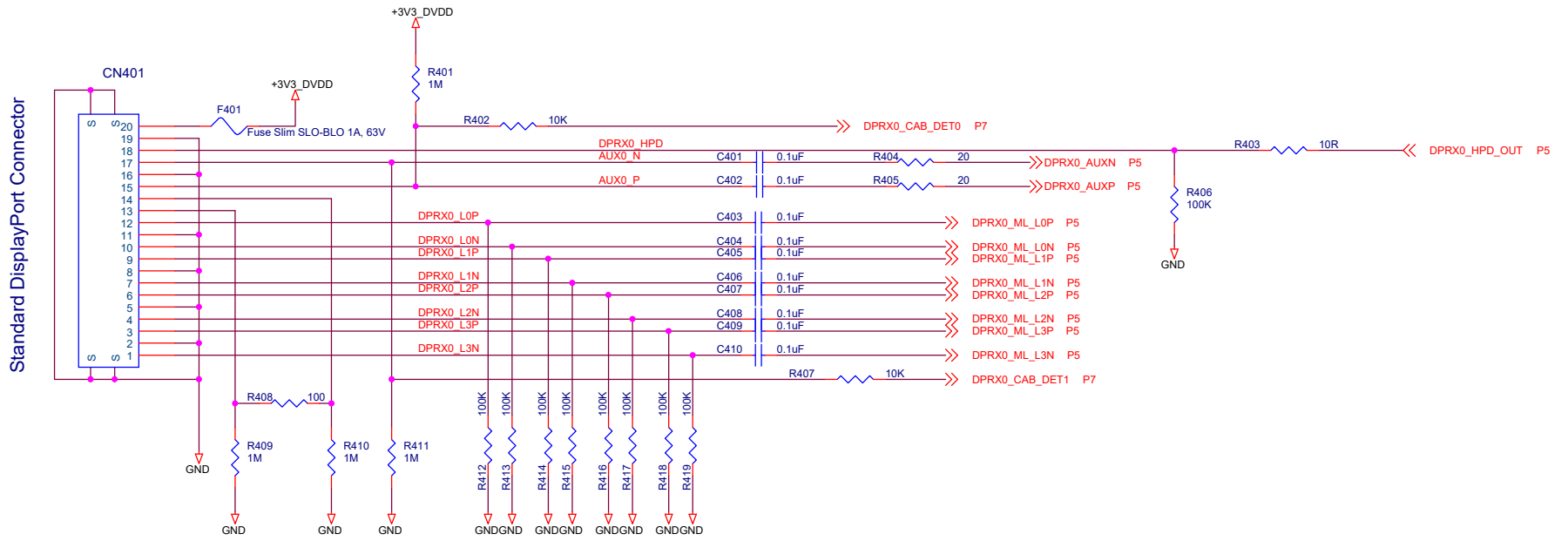
Title <b>01. Contents</b>		
Size B	Document Number B0673-SCH-01	Rev 03a
Date:	Friday, March 13, 2020	Sheet 1 of 10



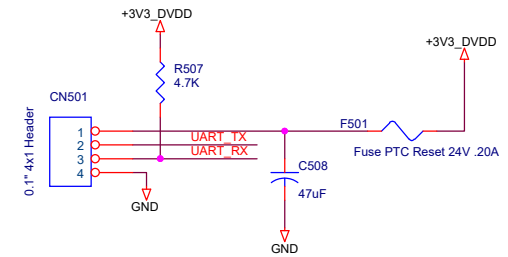
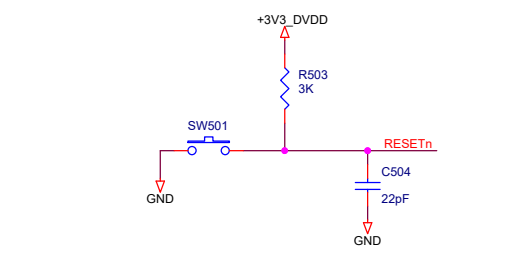
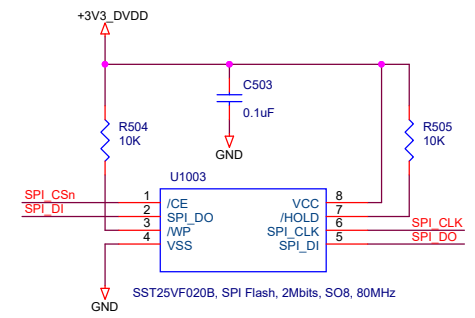
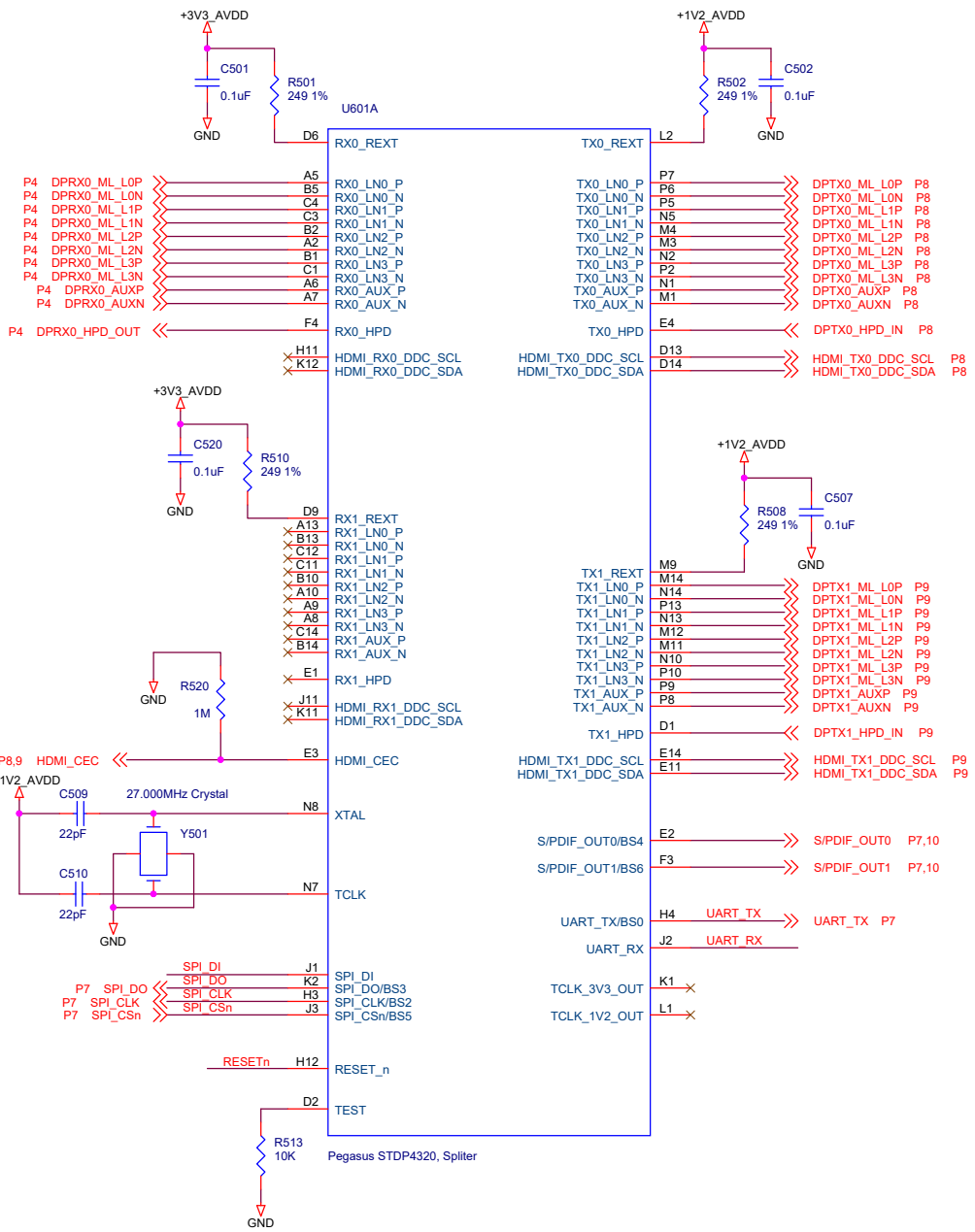
Title		
02. Block Diagram		
Size B	Document Number B0673-SCH-01	Rev 03a
Date:	Friday, March 13, 2020	Sheet 2 of 10



Title		
<b>03. Power Supply</b>		
Size B	Document Number B0673-SCH-01	Rev 03a
Date:	Friday, March 13, 2020	Sheet 3 of 10



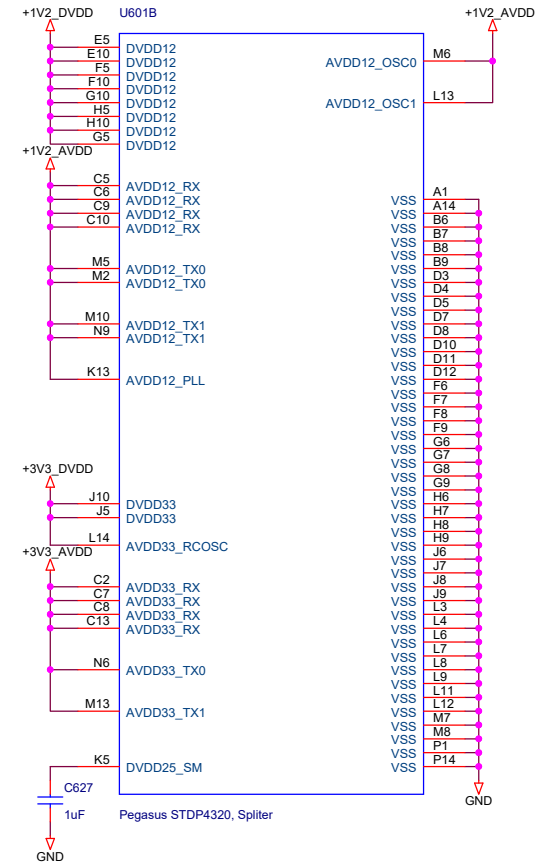
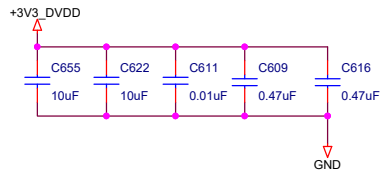
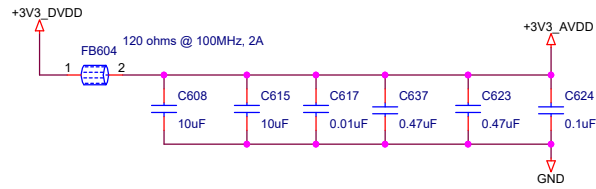
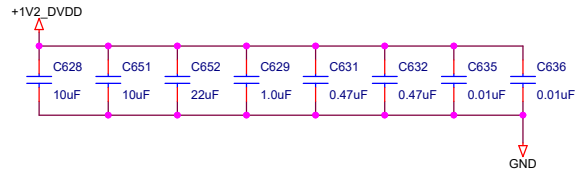
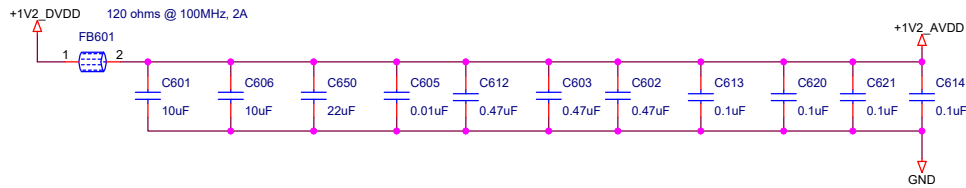
Title		
04. DPRx Inputs		
Size	Document Number	Rev
B	B0673-SCH-01	03a
Date:	Friday, March 13, 2020	Sheet 4 of 10



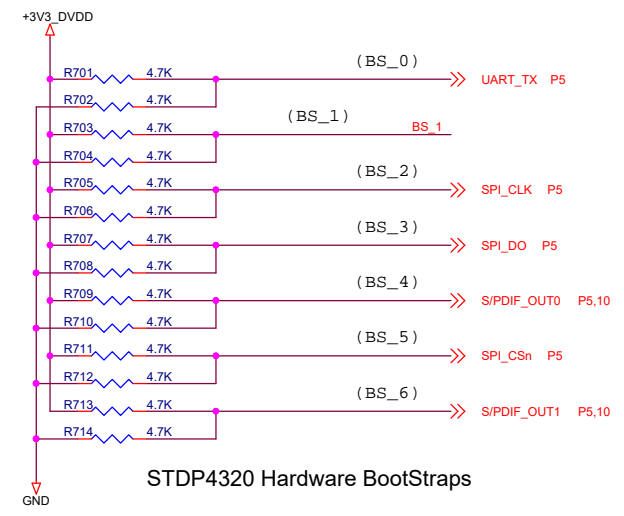
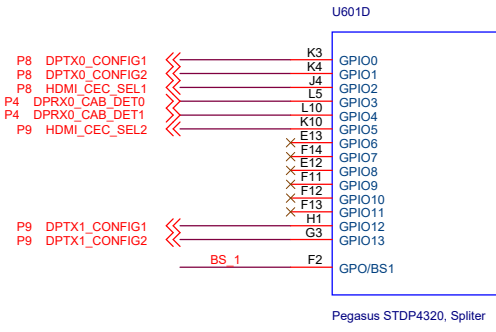
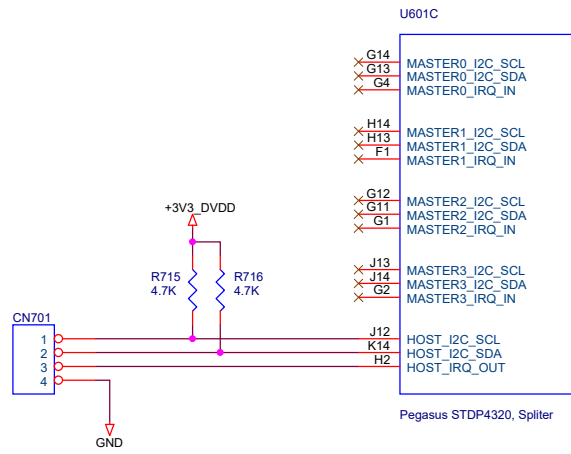
For DEBUG ONLY



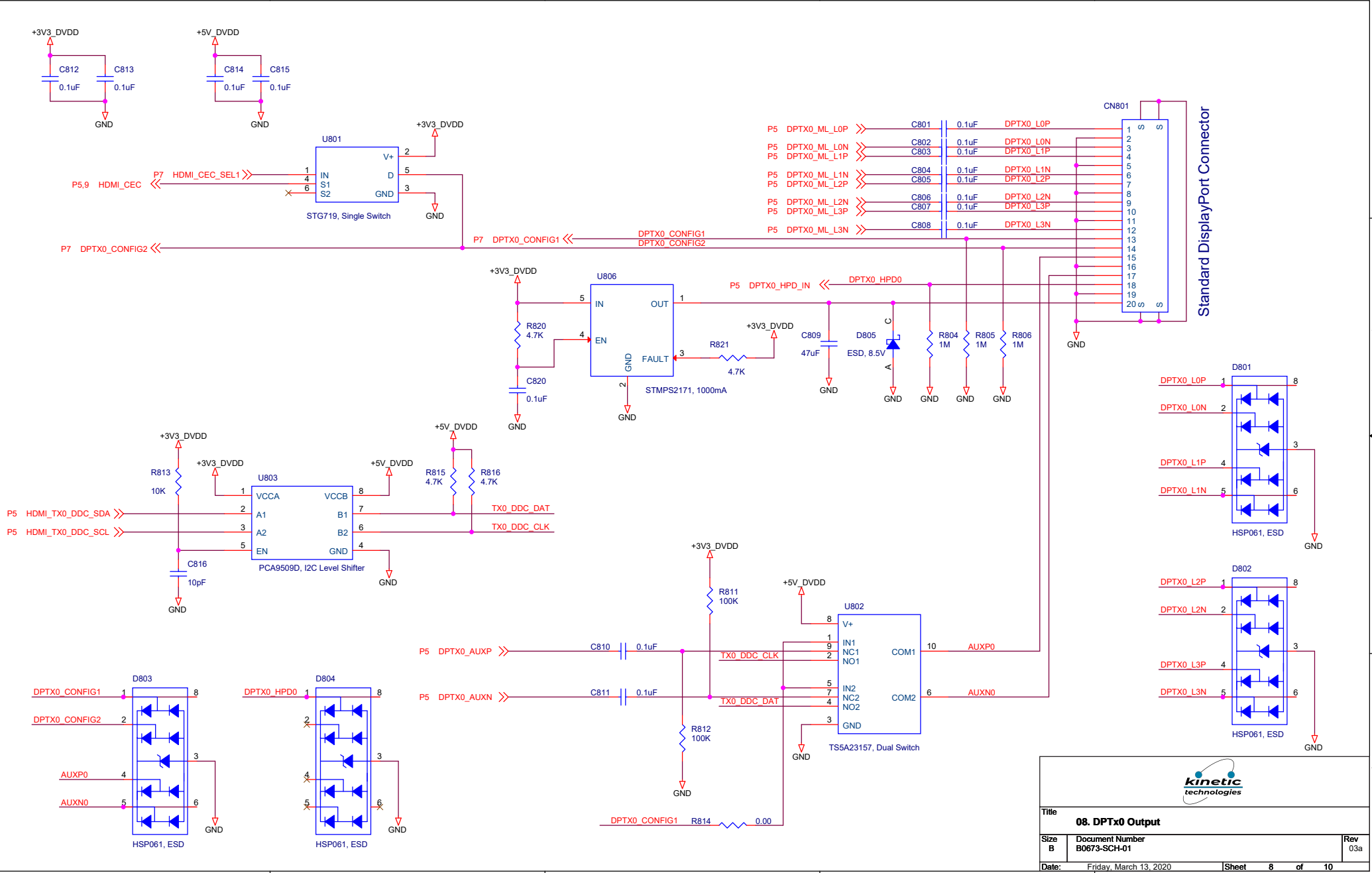
Title		
05. STDP4320 System Section		
Size B	Document Number B0673-SCH-01	Rev 03a
Date: Friday, March 13, 2020	Sheet 5	of 10




Title		
06. STDP4320 Power Section		
Size	Document Number	Rev
B	B0673-SCH-01	03a
Date:	Friday, March 13, 2020	Sheet 6 of 10



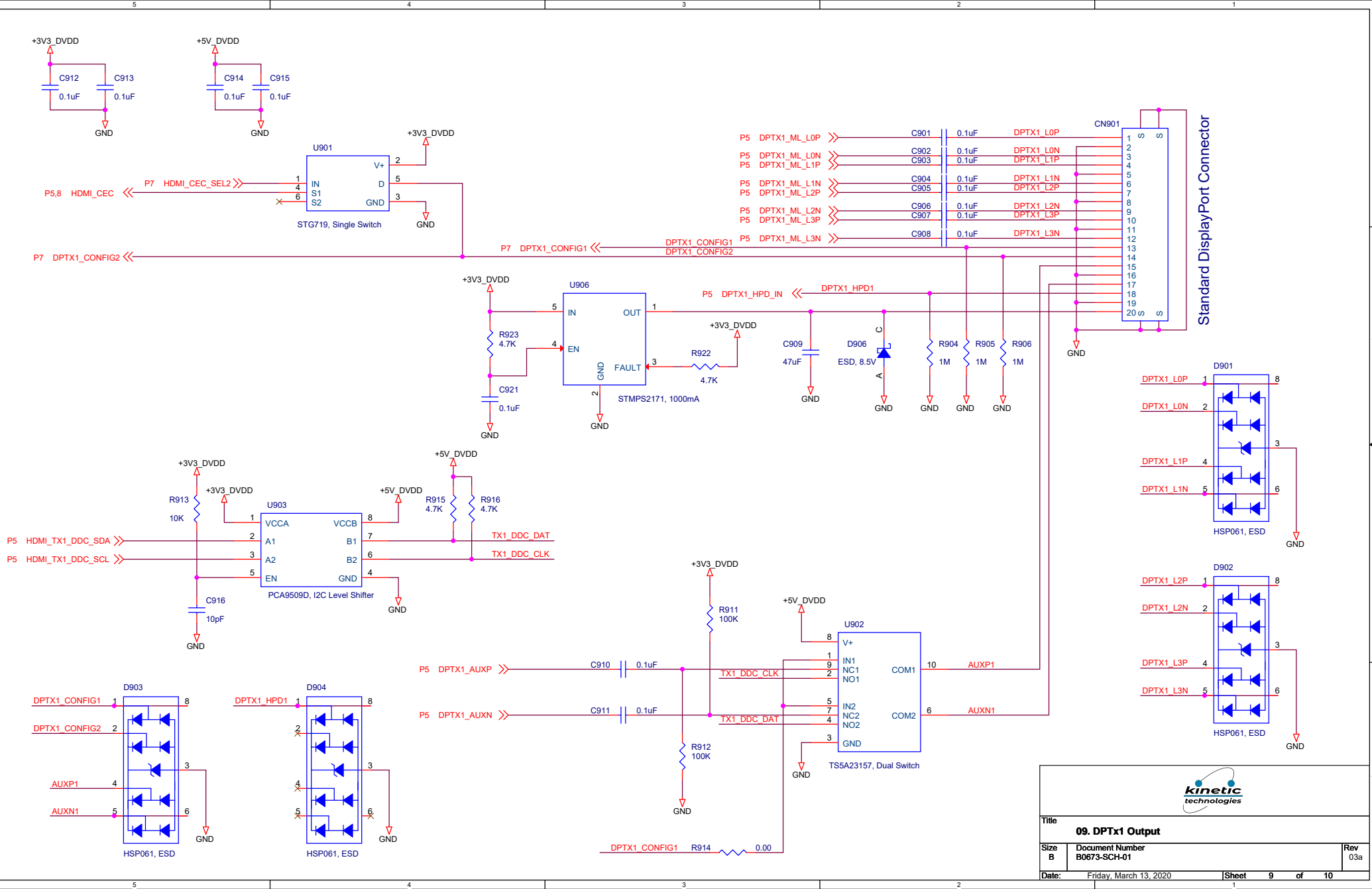
Title		
07. STDP4320 Accessories		
Size B	Document Number B0673-SCH-01	Rev 03a
Date:	Friday, March 13, 2020	Sheet 7 of 10






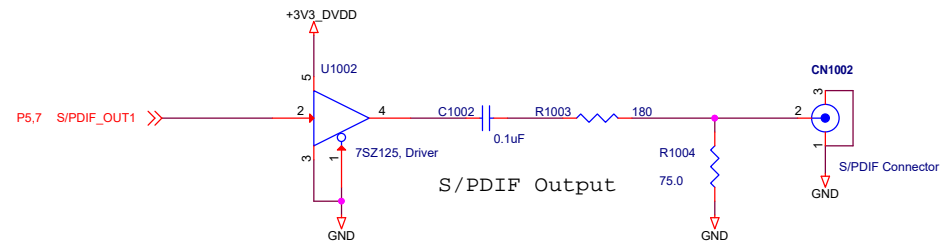
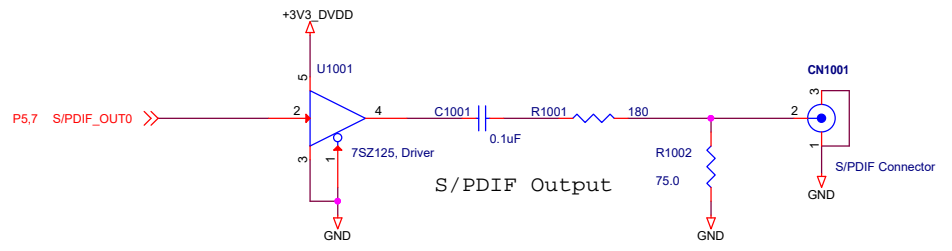
<b>Title</b>		
<b>08. DPTx0 Output</b>		
<b>Size</b>	Document Number	Rev
B	B0673-SCH-01	03a
<b>Date:</b> Friday, March 13, 2020		<b>Sheet</b> 8 <b>of</b> 10







Title		
<b>09. DPTx1 Output</b>		
Size	Document Number	Rev
B	B0673-SCH-01	03a
Date:	Friday, March 13, 2020	Sheet 9 of 10



Title		
10. S/PDIF Outputs		
Size B	Document Number B0673-SCH-01	Rev 03a
Date:	Friday, March 13, 2020	Sheet 10 of 10