



**40 GHz SMA 2.9 fem LATCHING TRANSFER SWITCH**

OPTIONS:

**R F CHARACTERISTICS**

FREQUENCY RANGE : 0 - 40 GHz  
 IMPEDANCE : 50 Ohms

|                 |         |         |          |          |          |
|-----------------|---------|---------|----------|----------|----------|
| FREQUENCY (GHz) | 0 - 6   | 6 -12.4 | 12.4- 18 | 18 -26.5 | 26.5- 40 |
| V.S.W.R <=      | 1.30    | 1.40    | 1.50     | 1.70     | 1.90     |
| INSERT. LOSS <= | 0.30 dB | 0.40 dB | 0.50 dB  | 0.70 dB  | 0.80 dB  |
| ISOLATION >=    | 70 dB   | 60 dB   | 60 dB    | 55 dB    | 50 dB    |
| AVER. POWER (*) | 80 W    | 60 W    | 50 W     | 20 W     | 10 W     |

**ELECTRICAL CHARACTERISTICS**

ACTUATOR : LATCHING  
 NOMINAL CURRENT AT 25° C (±10%) : 125 mA  
 ACTUATOR VOLTAGE (Vcc) : 28V (24 to 30V) / NEGATIVE COMMON  
 TERMINALS : solder pins (250 Deg.C max./30 sec)

**MECHANICAL CHARACTERISTICS**

CONNECTORS : SMA 2.9 fem per MIL C 39012  
 LIFE : 2.500.000 cycles  
 SWITCHING TIME (nominal voltage;25° C) : < 15 ms  
 CONSTRUCTION : splashproof  
 WEIGHT : < 85 g

**ENVIRONMENTAL CHARACTERISTICS**

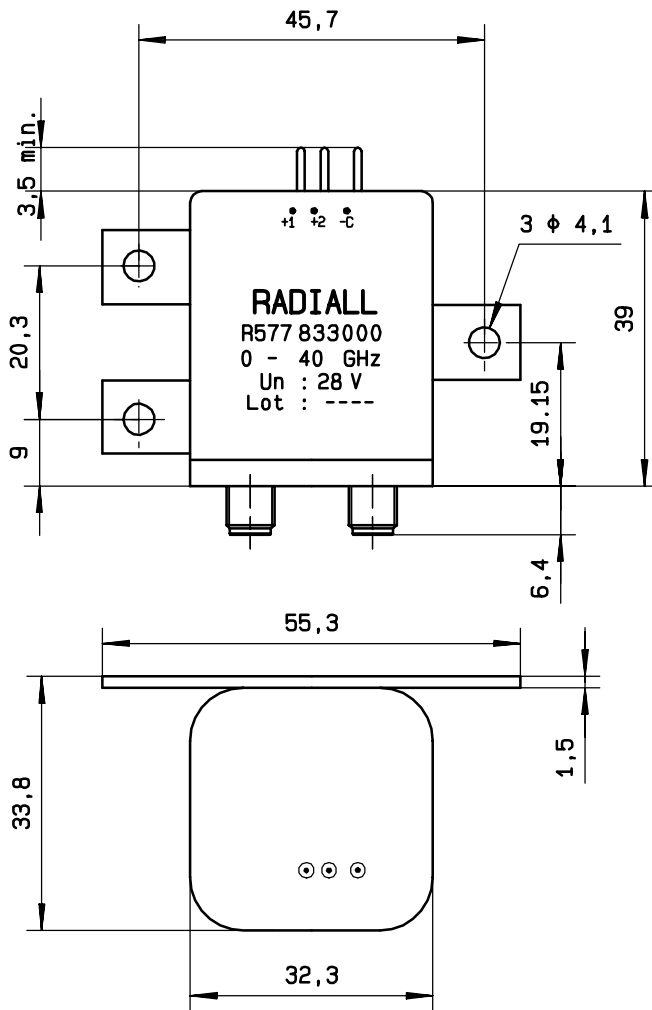
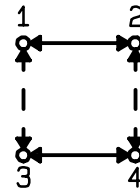
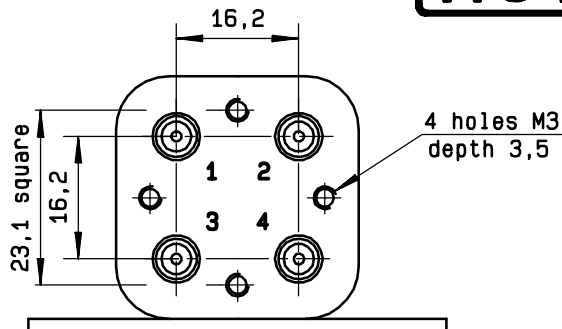
OPERATING TEMPERATURE RANGE (°C) : -40 , +85  
 STORAGE TEMPERATURE RANGE (°C) : -55 , +85

(\* : average power at 25° C)

This information is given as an indication. In the continual goal to improve our products, we reserve the right to make any modifications judged necessary

4112-9212

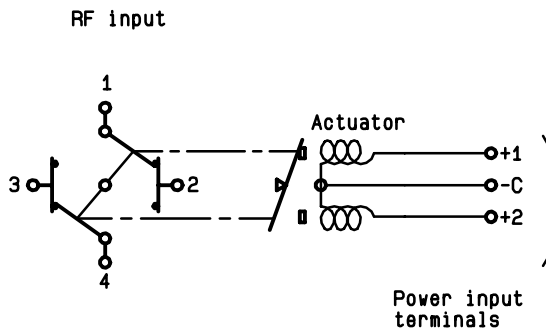
**DRAWING**



General tolerance:  $\pm 0,5$  mm

**SCHEMATIC DIAGRAM**

| Voltage | RF continuity  |
|---------|----------------|
| - C + 1 | 1 ↔ 3    2 ↔ 4 |
| - C + 2 | 1 ↔ 2    3 ↔ 4 |



4113-9212 This information is given as an indication. In the continual goal to improve our products, we reserve the right to make any modifications judged necessary