



Features:

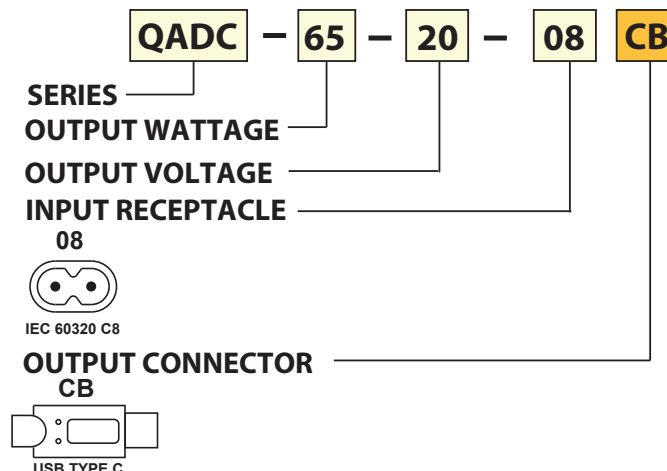
- Universal AC input/ Full Range
- Energy Efficiency Level VI
- ErP Stage 2 Compliant
- NRCan and GEMS Compliant
- System Control through CC1
- USB Type C Output Connector
- Output Protections: OVP/SCP/OCP
- No Load Power Consumption <0.1W
- 1 Year Warranty



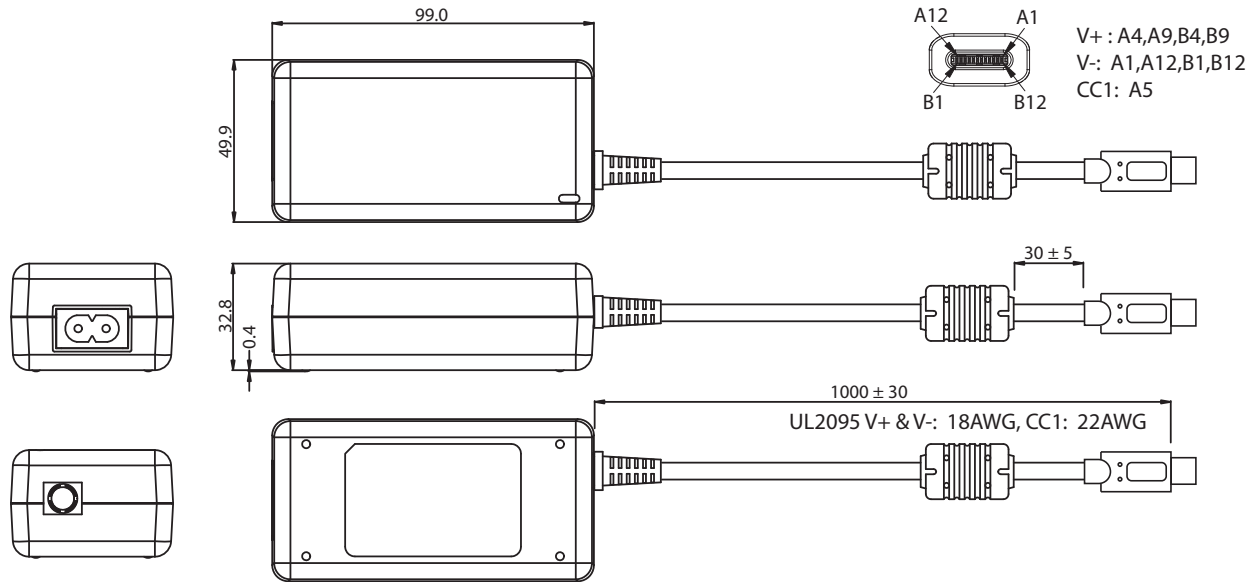
Model	QADC-45-20-08CB	QADA-65-20-08CB
Output Characteristics		
DC Output	5V / 9V / 12V / 15V / 20V	5V / 9V / 12V / 15V / 19V / 20V
Rated Current	3A@5V / 3A@9V / 3A@12V / 3A@15V / 2.25A@20V	3A@5V / 3A@9V / 3A@12V / 3A@15V / 3.43A@19V / 3.25A@20V
Ripple and Noise	±2% Vo @ Rated Load	
Load Regulation (Typ.)	±5%	
Transient Response (Typ.)	0.5mS for 50% Load Change	
Hold-up Time (Typ.)	10mS @ Rated Load	
Output Protection	Short Circuit, Over Voltage, Over Current	
Ferrite Core	Yes	
Input Characteristics		
Voltage Range	100VAC~240VAC	
Frequency Range	50Hz-60Hz	
Efficiency	DoE Level VI, Energy Star, ErP Stage 2, NRCan & GEMS Level VI Certified	
AC Current (max)	45W: 1.2A / 65W: 1.6A	
Input Protection	Internal Primary Current Fuse	
Leakage Current	0.25mA	
Environmental Characteristics		
Operating Temperature	0°C~40°C	
Operating Relative Humidity	20% RH to 80% RH	
Storage Temperature	-20°C~80°C, 10% RH to 90% RH	
Topology	Switching Flyback	
Dielectric Withstand	3000VAC Primary-Secondary	
EMI Conduction & Radiation	Compliance to EN55032	
Harmonic Current	Compliance to EN61000-3-2, 3	
EMS Immunity	EN55024	
Characteristics		
MTBF	300,000Hrs (25°C, Telecordia SR-332)	
Dimension (LxWxH)	QADC-45-20-08CB: 99x33x50mm QADC-65-20-08CB: 119x60x36mm	
Weight	QADC-45-20-08CB:190g QADC-65-20-08CB: 285g	

Note: RCM Safety Approval only for QADC-45-20-08CB

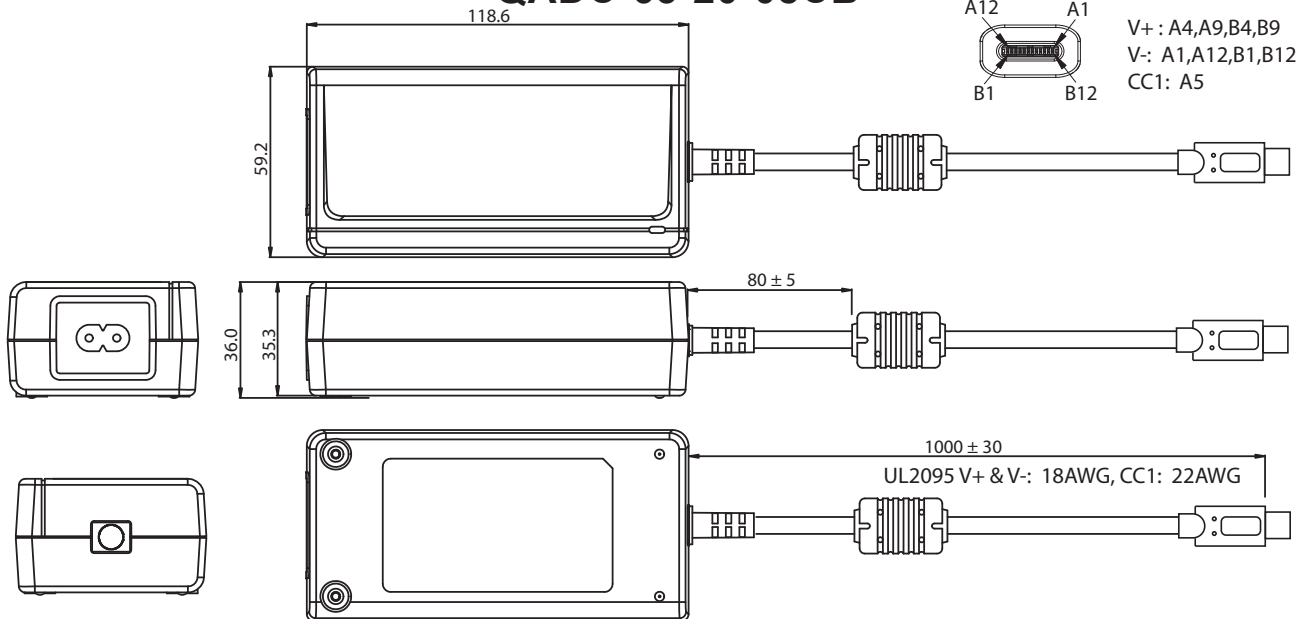
PART NUMBER SYSTEM



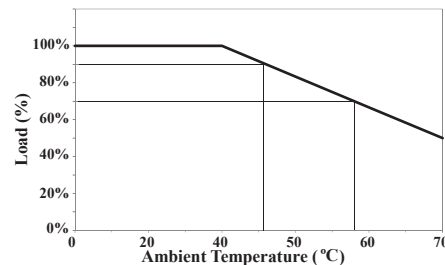
MECHANICAL SPECIFICATIONS QADC-45-20-08CB



QADC-65-20-08CB



DERATING CURVE



UNIT: mm