



MAX19191 Evaluation Kit

General Description

The MAX19191 evaluation kit (EV kit) is a fully assembled and tested circuit board that contains all the components necessary to evaluate the performance of the MAX19191 8-bit analog-to-digital converter (ADC). The device accepts AC- or DC-coupled, differential, or single-ended analog inputs. The digital output produced by the ADC can be easily captured with a user-supplied high-speed logic analyzer or the data converter evaluation platform (DCEP). The EV kit operates from a 3.3V to 6V supply and utilizes four LDO regulators to power the analog and digital power rails. The EV kit includes circuitry that generates a clock signal from an AC sine-wave signal provided by the user.

Features

- ◆ 10Msps Maximum Sampling Rate
- ◆ Single 3.3V to 6V Power-Supply Operation
- ◆ Ultra-Low-Power Operation
- ◆ Single-Ended or Fully Differential Input-Signal Configuration
- ◆ AC- or DC-Coupled Input-Signal Configuration
- ◆ Direct Interface with the Maxim DCEP Using the Samtec QSH Connector
- ◆ Configurable Reference Voltage
- ◆ On-Board Clock-Shaping Circuit
- ◆ Fully Assembled and Tested

Ordering Information

PART	TYPE
MAX19191EVKIT+	EV Kit
DCEP	Data Converter Evaluation Platform

+ Denotes lead(Pb)-free and RoHS compliant.

Component List

DESIGNATION	QTY	DESCRIPTION
C1, C2, C5, C9, C19, C21–C26, C35, C37, C39, C41, C48	16	0.1 μ F \pm 10%, 16V X7R ceramic capacitors (0603) TDK C1608X7R1C104K
C3, C4	2	0.01 μ F \pm 10%, 16V X5R ceramic capacitors (0402) TDK C1005X5R1A103K
C7, C12, C14, C20	4	1000pF \pm 10%, 50V X7R ceramic capacitors (0603) TDK C1608X7R1H102K
C8, C13, C15	3	0.33 μ F \pm 10%, 6.3V X5R ceramic capacitors (0603) TDK C1608X5R0J334K
C10, C11	2	22pF \pm 5%, 50V C0G ceramic capacitors (0603) TDK C1608C0G1H220J
C18, C28, C30, C32, C34, C36, C38, C40, C42	9	2.2 μ F \pm 10%, 10V tantalum capacitors (A case) AVX TAJA225K010R
C27, C29, C31, C33, C43–C46	8	1 μ F \pm 10%, 50V X7R ceramic capacitors (0603) TDK C1608X7R1C105K

DESIGNATION	QTY	DESCRIPTION
C47	1	10 μ F \pm 10%, 10V tantalum capacitor (A case) AVX TAJB106M010R
CLKIN, D/E_IN, S/E_IN+, S/E_IN-	4	SMA PC-mount connectors
J1	1	2 x 10-pin header
J2	1	128-pin high-speed connector Samtec QSH-060-01-L-DA
JU1, JU2, JU4, JU5, JU8	5	3-pin headers
JU3, JU6, JU7, JU9–JU12	7	2-pin headers
L1–L4	4	600 Ω , 350mA ferrite beads Fair-Rite 2512066017Y0
R1, R2, R18	3	49.9 Ω \pm 1% resistors (0603)
R3, R4	2	0 Ω \pm 5% resistors (0402)
R5, R31–R44	0	Not installed, resistors (0603) R5, R41–R44 are open; R31–R40 are short (PC trace)
R7–R10, R17	5	2k Ω \pm 1% resistors (0603)
R11, R12	2	24.9 Ω \pm 1% resistors (0603)
R15, R20	2	4.02k Ω \pm 1% resistors (0603)



MAX19191 Evaluation Kit

Component List (continued)

DESIGNATION	QTY	DESCRIPTION
R16	1	5k Ω , 12-turn potentiometer Murata PV37Y502C31B00
R19	1	6.04k Ω \pm 1% resistor (0603)
R21–R30	10	100 Ω \pm 1% resistors (0603)
R45, R46	0	Not installed, resistors—short (PC trace) (0402)
T1	1	RF transformer Mini-Circuits TT1-6-KK81
U1	1	Single 10Msps 8-bit ADC (28 QFN-EP*) Maxim MAX19191ETI+
U2	1	Dual CMOS differential line receiver (8 SO) Maxim MAX9113ESA+

DESIGNATION	QTY	DESCRIPTION
U3	1	Buffer/driver, three-state output (48 TSSOP)
U4, U5	2	3V LDO regulators (5 SC70) Maxim MAX8510EXK30+ (Top Mark: AAS)
U6, U7	2	1.8V LDO regulators (5 SC70) Maxim MAX8891EXK18+ (Top Mark: ATJ)
—	12	Shunts (JU1–JU12)
—	1	PCB: MAX19191 EVALUATION KIT+

*EP = Exposed pad.

Component Suppliers

SUPPLIER	PHONE	WEBSITE
AVX Corporation	843-946-0238	www.avxcorp.com
Fair-Rite Products Corp.	845-895-2055	www.fair-rite.com
Mini-Circuits	718-934-4500	www.minicircuits.com
Murata Electronics North America Inc.	847-803-6100	www.murata-northamerica.com
TDK Corp.	847-803-6100	www.component.tdk.com

Note: Indicate that you are using the MAX19191 when contacting these component suppliers.

Quick Start

Required Equipment

- MAX19191 EV kit
- 3.3V to 6V, 300mA DC power supply
- Function generator with low-phase noise and low jitter for clock input (e.g., Agilent 8644B)
- Function generator for analog signal input (e.g., Agilent 8644B)
- Logic analyzer or DCEP board
- Analog anti-aliasing filters
- Digital voltmeter

Procedure

The EV kit is a fully assembled and tested surface-mount board. Follow the steps below for board operation.

Caution: Do not turn on the power supply or enable function generators until all connections are completed.

- 1) Verify that shunts are installed across pins 2-3 of jumpers JU4 and JU5 (fully operational, outputs enabled).
- 2) Verify that no shunts are installed across jumpers JU6 and JU7.
- 3) Verify that a shunt is installed across pins 1-2 of jumper JU8 (internal reference mode).

MAX19191 Evaluation Kit

- 4) Connect the logic analyzer to header J1. The output data is driven onto J1. Control signal DVAL on pin J1-11 indicates whether data is valid.
- 5) Connect the 3.3V power supply to the VIN pad. Connect the ground terminal of this supply to the OGND pad.
- 6) Verify that shunts are installed across jumpers JU9–JU12 (on-board LDOs enabled).
- 7) Enable the power supply.
- 8) With a voltmeter, verify that 1.24V is measured at the test point TP1 via. If the voltage is not 1.24V, adjust potentiometer R16 until 1.24V is obtained.
- 9) Connect the clock function generator to the CLKIN SMA connector.
- 10) Connect the output of the analog signal function generator to the input of the suggested anti-aliasing filter.
 - a) To evaluate **differential AC-coupled** analog signals, verify that shunts are installed on pins 2-3 of jumpers JU1 and JU2. Connect the output of the analog anti-aliasing filter to the D/E_IN SMA connector.
 - b) To evaluate **single-ended AC-coupled** analog signals, verify that shunts are installed on pins 1-2 of jumpers JU1, JU2, and JU3. Verify that resistor R5 is open. Connect the output of the anti-aliasing filter to the S/E_IN+ connector.
 - c) To evaluate **single-ended DC-coupled** analog signals, verify that a shunt is installed on pins 1-2 of jumper JU2, and no shunts are installed on jumpers JU1 and JU3. Remove capacitor C2 and resistor R2. Install a 0Ω resistor at R5. Connect the output of the anti-aliasing filters to the S/E_IN+ SMA connector.
 - d) To evaluate **differential DC-coupled** analog signals, verify that a shunt is installed on pins 1-2 of jumper JU2 and no shunts are installed on jumpers JU1 and JU3. Remove capacitor C2 and resistor R2. Install a 0Ω resistor at R5. Connect the outputs of the anti-aliasing filters to the S/E_IN+ and S/E_IN- SMA connectors.
- 11) Enable the function generators. Set the clock function generator for an output amplitude of 2.4V_{P-P} (+11.6dBm) and a frequency (f_{CLK}) of ≤ 10 MHz. Set the analog input-signal generator to the desired output-test signal and frequency. The clock and analog input function generators should be phase-locked to each other.
- 12) Output data is presented on the falling edge of the logic analyzer clock.
- 13) Enable the logic analyzer and begin collecting data. See the *Interfacing the EV Kit to the DCEP Board* section for additional information when evaluating the EV kit using the DCEP board.

Detailed Description of Hardware

The MAX19191 EV kit is a fully assembled and tested circuit board that contains all the components necessary to evaluate the performance of the MAX19191 8-bit ADC. The ADC provides digitized data of its analog input channel. The EV kit comes with the ADC installed, which can be evaluated with a maximum clock frequency (f_{CLK}) of 10MHz. The ADC accepts differential or single-ended analog input signals. With the proper board configuration, the input signal can be AC- or DC-coupled.

The EV kit is based on a four-layer PCB design to optimize the performance of the ADC. Separate analog and digital power planes minimize noise coupling between analog and digital signals. The EV kit is configured with 3V and 1.8V power supplies applied to analog and digital power planes, respectively. However, the digital plane can be operated from 1.7V to 3.3V without compromising performance. See the *Power Supplies* section for additional information. The logic analyzer's threshold must be adjusted accordingly.

Access to the digital outputs is provided through header J1. The 0.1in, 20-pin header easily interfaces with a user-supplied logic analyzer or data-acquisition system. The digital outputs can also be interfaced to the DCEP board using Samtec connector J2, which is located on the bottom side of the EV kit board.

MAX19191 Evaluation Kit

Power Supplies

The EV kit operates from a single 3.3V to 6V DC power supply applied at the VIN and OGND PCB pads. The EV kit requires separate analog and digital power supplies for best performance. VIN provides the power necessary for operating two 3V LDO regulators (U4, U5) and two 1.8V LDO regulators (U6, U7) used for on-board regulation of the analog and digital power rails. The EV kit also provides the option of using external power supplies to power the analog and digital power rails independently.

Regulator U4 (3V) powers the ADC's VDD input and its corresponding analog circuitry. To power the ADC's VDD input and the analog circuit using regulator U4, install a shunt at jumper JU9. To power the ADC's VDD input and analog circuitry using an external supply, remove the shunt at JU9 and apply a 2.7V to 3.6V power source at the VDD_ADC and GND PCB pads. See Table 1 for proper JU9 configuration.

Regulator U5 (3V) powers the EV kit on-board clock-shaping circuit. To power the clock-shaping circuit using regulator U5, install a shunt at jumper JU10. To power the circuitry using an external supply, remove the shunt

at JU10 and apply an external voltage of 2.7V to 3.6V at the VCC_CLOCK and GND PCB pads. When applying an external supply at the VCC_CLOCK and GND PCB pads, the minimum voltage should be equal to or less than the VDD_ADC voltage. See Table 2 for proper JU10 configuration.

Regulator U6 (1.8V) powers the ADC's OVDD input and its corresponding digital circuitry. To power the ADC's OVDD input and its corresponding digital circuitry, install a shunt at jumper JU11. To power the digital circuitry using an external supply, remove the shunt at JU11 and apply an external voltage of 1.8V to 3.6V at the OVDD_ADC and GND PCB pads. See Table 3 for proper JU11 configuration.

Regulator U7 (1.8V) powers the EV kit CMOS buffer/driver IC (U3). To power the buffer/driver IC, install a shunt at jumper JU12. To power the buffer/driver IC using an external supply, remove the shunt at JU12 and apply an external voltage of 1.8V to 3.6V at the VCC_BUFFER and OGND PCB pads. See Table 4 for proper JU12 configuration.

Table 1. VDD Input Power Configuration (JU9)

SHUNT POSITION	VDD_ADC INPUT SOURCE
Installed	3V LDO (U4) powers the ADC's VDD input and analog circuitry
Not installed	External supply applied at the VDD_ADC and GND PCB pads

Table 2. Clock Circuitry Input Power Configuration (JU10)

SHUNT POSITION	VCC_CLOCK INPUT SOURCE
Installed	3V LDO (U5) powers the clock circuitry
Not installed	External supply applied at the VCC_CLOCK and GND PCB pads

Table 3. OVDD Input Power Configuration (JU11)

SHUNT POSITION	OVDD_ADC DIGITAL CIRCUITRY INPUT SOURCE
Installed	1.8V LDO (U6) output powers the ADC's OVDD input
Not installed	External supply applied at the OVDD_ADC and OGND PCB pads

Table 4. VCC_BUFFER Circuitry Input Power Configuration (JU12)

SHUNT POSITION	VCC_BUFFER INPUT SOURCE
Installed	1.8V LDO (U7) output powers the buffer/driver IC
Not installed	External supply applied at the VCC_BUFFER and OGND PCB pads to power the buffer/driver IC

Note: When operating the EV kit with the DCEP board, the voltage applied at the VCC_BUFFER and OGND PCB pad should be set to 1.8V or 3.3V.

MAX19191 Evaluation Kit

Clock

An on-board clock-shaping circuit generates a clock signal from an AC sine-wave signal applied to the CLKIN SMA connector. The input signal should not exceed a magnitude of 2.6V_{P-P} (+12.3dBm). The frequency of the signal should not exceed 10MHz for the ADC. The frequency of the sinusoidal input signal determines the sampling frequency of the ADC. Differential line receiver U2 processes the input signal to generate the CMOS clock signal. The signal's duty cycle can be adjusted with potentiometer R16. A clock signal with a 50% duty cycle (recommended) can be achieved by adjusting R16 until 1.24V (40% of the analog power supply) is produced across test point TP1 and GND when the analog

supply voltage is set to 3V. The clock signal is available at header pin J1-1, which can be used as a clock source for the logic analyzer. Additionally, header pin J1-11 (DVAL) is an image of the clock signal.

Input Signals

The ADC accepts differential or single-ended AC- or DC-coupled analog input signals. The EV kit accepts input signals with full-scale amplitude of less than 1.024V_{P-P} (+4dBm). See Table 5 for proper jumper configurations. **Note:** When a differential signal is applied to the ADC, the positive and negative input pins of the ADC each receive half of the input signal supplied at SMA connector D/E_IN with a DC offset voltage of VADUT/2.

Table 5. Single-Ended/Differential, AC-/DC-Coupled Jumper Configuration

JUMPER	SHUNT POSITION	PIN CONNECTION	EV KIT OPERATION
JU1	1-2	IN- pin connected to the COM pin through R11	Single-ended input, AC-coupled: • R5 open (default)
JU2	1-2	IN+ pin AC-coupled to SMA connector S/E_IN+ through R12 and C2	
JU3	Installed	IN+ pin assumes the DC offset at the REFP and REFN common	
JU1	Not installed	IN- pin connected to the COM pin through R11	Single-ended input, DC-coupled: • R5 shorted (0Ω) • Remove C2 • Remove R2
JU2	1-2	IN+ pin DC-coupled to SMA connector S/E_IN+ through R12 and R5	
JU3	Not installed	IN+ pin assumes the DC offset from the analog input source	
JU1	2-3	IN- pin connected to the low side of transformer T1 through R11	Differential input, AC-coupled.
JU2	2-3	IN+ pin connected to the high side of transformer T1 through R12	
JU1	Not installed	IN- pin DC-coupled to SMA connector S/E_IN- through R11	Differential input, DC-coupled: • R5 shorted (0Ω) • Remove C2 • Remove R2
JU2	1-2	IN+ pin DC-coupled to SMA connector S/E_IN+ through R12 and R5	
JU3	Not installed	IN+ pin assumes the DC offset from the analog input source	

MAX19191 Evaluation Kit

Power-Down, Standby, Idle, and Operating Modes

The EV kit also features jumpers that allow the user to enable or disable certain functions of the data converter. Jumpers JU4 and JU5 control the power-down, standby, idle, and operating modes of the EV kit. See Table 6 for jumper settings.

Reference Modes

The EV kit provides three modes of reference operation: internal reference, buffered external reference, and unbuffered external reference. In internal reference mode, the REFIN pad is connected to VADUT.

In buffered external reference mode, an external reference voltage 1.024V can be connected at the REFIN pad. In unbuffered external reference mode, REFIN is connected to GND, and three external reference voltages should be used to drive REFP, REFN, and COM. Jumper JU8 selects the reference modes of the EV kit. See Table 7 for jumper settings.

Digital Output Format

The device features a single 8-bit CMOS-compatible digital output bus. IN+/IN- data is available at the output when DVAL is high. The DVAL signal is an image of the clock that can be used to synchronize the output

Table 6. Power-Down, Standby, Idle, and Operating Modes Configuration (JU4, JU5)

SHUNT POSITION		PIN CONNECTION	EV KIT OPERATION
JU4	JU5		
1-2	1-2	PD0 is connected to OGND. PD1 is connected to OGND.	ADC is in power-down mode: ADC off, ref off, and output three stated.
1-2	2-3	PD0 is connected to OGND. PD1 is connected to VODUT.	ADC is in standby mode: ADC off, ref on, and output three stated.
2-3	1-2	PD0 is connected to VODUT. PD1 is connected to OGND.	ADC is in idle mode: ADC on, ref on, and output three stated.
2-3	2-3	PD0 is connected to VODUT. PD1 is connected to VODUT.	ADC is in operating mode: ADC on, ref on, and output enabled.
Not installed	Not installed	External control source (TTL/CMOS-compatible) is applied at the PD0 and PD1 PCB pads.	PD0, PD1 = 00 (power-down mode). PD0, PD1 = 01 (standby mode). PD0, PD1 = 10 (idle mode). PD0, PD1 = 11 (operating mode).

Table 7. Reference Modes Configuration (JU8)

SHUNT POSITION	REFIN PIN CONNECTION	EV KIT OPERATION
1-2	Connected to VADUT	Internal reference mode: $V_{REF} = V_{REFP} - V_{REFN} = 0.512V$
2-3	Connected to GND	Unbuffered external reference mode: REFP, REFN, COM driven by external sources
Not installed	Connected to an external reference source (+1.024V)	Buffered external reference mode: $V_{REF} = V_{REFP} - V_{REFN} = 0.512V$

MAX19191 Evaluation Kit

data. Refer to the MAX19191 IC data sheet for more information.

A driver is used to buffer the ADC's digital outputs. This buffer is able to drive large capacitive loads that may be present at the logic analyzer or DCEP connection, without compromising the digital output signals. The outputs of the buffers are connected to header J1 located on the right side of the EV kit, where the user can connect a logic analyzer. See Table 8 for the ADC output channel bit locations on header J1.

All even-number pins on header J1 are connected to OGND.

Interfacing the EV Kit to the DCEP Board

The DCEP and EV kit boards can be connected using the specified on-board connectors. Samtec connector J2 on the EV kit mates with connector J5 on the DCEP board. Alternatively, the two boards can be connected with coaxial ribbon cables (Samtec part number HQCD-060.00-STR-TBR-1). Note that it is necessary to use either the on-board connectors or cables to obtain a reliable electrical connection between the two boards.

EV kit-specific database files are required to configure the DCEP software. Use the following steps to operate the EV kit using the DCEP board:

- 1) Verify that the power source applied at the EV kit VIN and GND PCB pads are disabled.
- 2) Carefully connect the boards together by aligning the EV kit J2 connector to the DCEP J5 connector. Gently press them together.
- 3) Connect the USB cable from the computer's type-A USB port to the DCEP board's type-B USB port.
- 4) Refer to the Data Converter Evaluation Platform (DCEP) User's Guide for information on installing the DCEP software.
- 5) Enable the DCEP data-acquisition board (refer to the Data Converter Evaluation Platform (DCEP) User's Guide for details).
- 6) Create a new database in the DCEP by adding the MAX19191EVK-XX.dsm device module.
- 7) Enable the EV kit power supply.

Refer to the Data Converter Evaluation Platform (DCEP) User's Guide for specifics on system requirements, software installation, and loading configuration.

Table 8. Header J1 Output Bit Location

OUTPUT	DVAL LEVEL	BIT D0	BIT D1	BIT D2	BIT D3	BIT D4	BIT D5	BIT D6	BIT D7
CLK ↓*	1	J1-3 (A0)	J1-5 (A1)	J1-7 (A2)	J1-9 (A3)	J1-13 (A4)	J1-15 (A5)	J1-17 (A6)	J1-19 (A7)

*Trigger signal for the logic analyzer.

MAX19191 Evaluation Kit

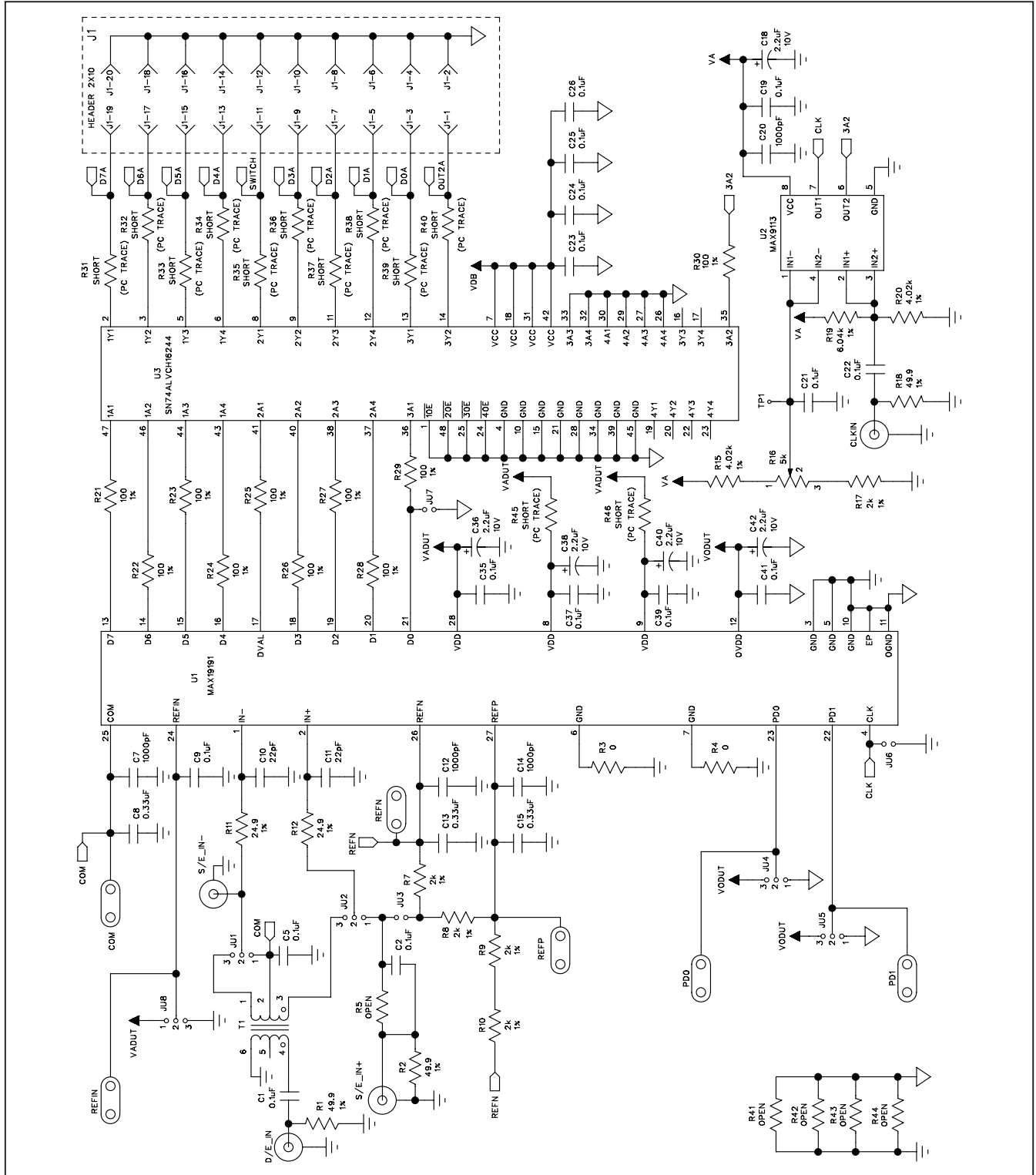


Figure 1a. MAX19191 EV Kit Schematic (Sheet 1 of 2)

MAX19191 Evaluation Kit

Evaluates: MAX19191

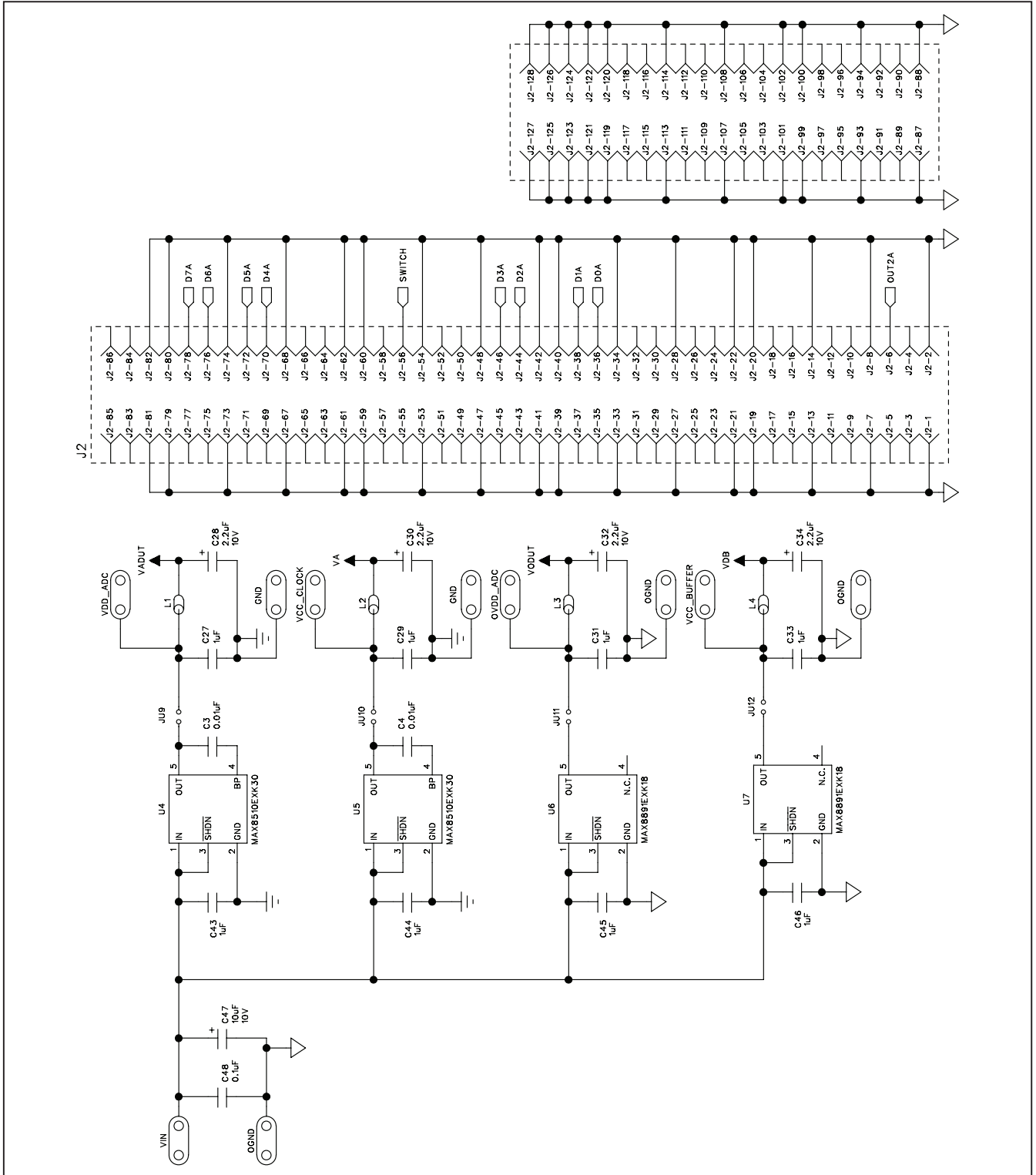


Figure 1b. MAX19191 EV Kit Schematic (Sheet 2 of 2)

MAX19191 Evaluation Kit

Evaluates: MAX19191

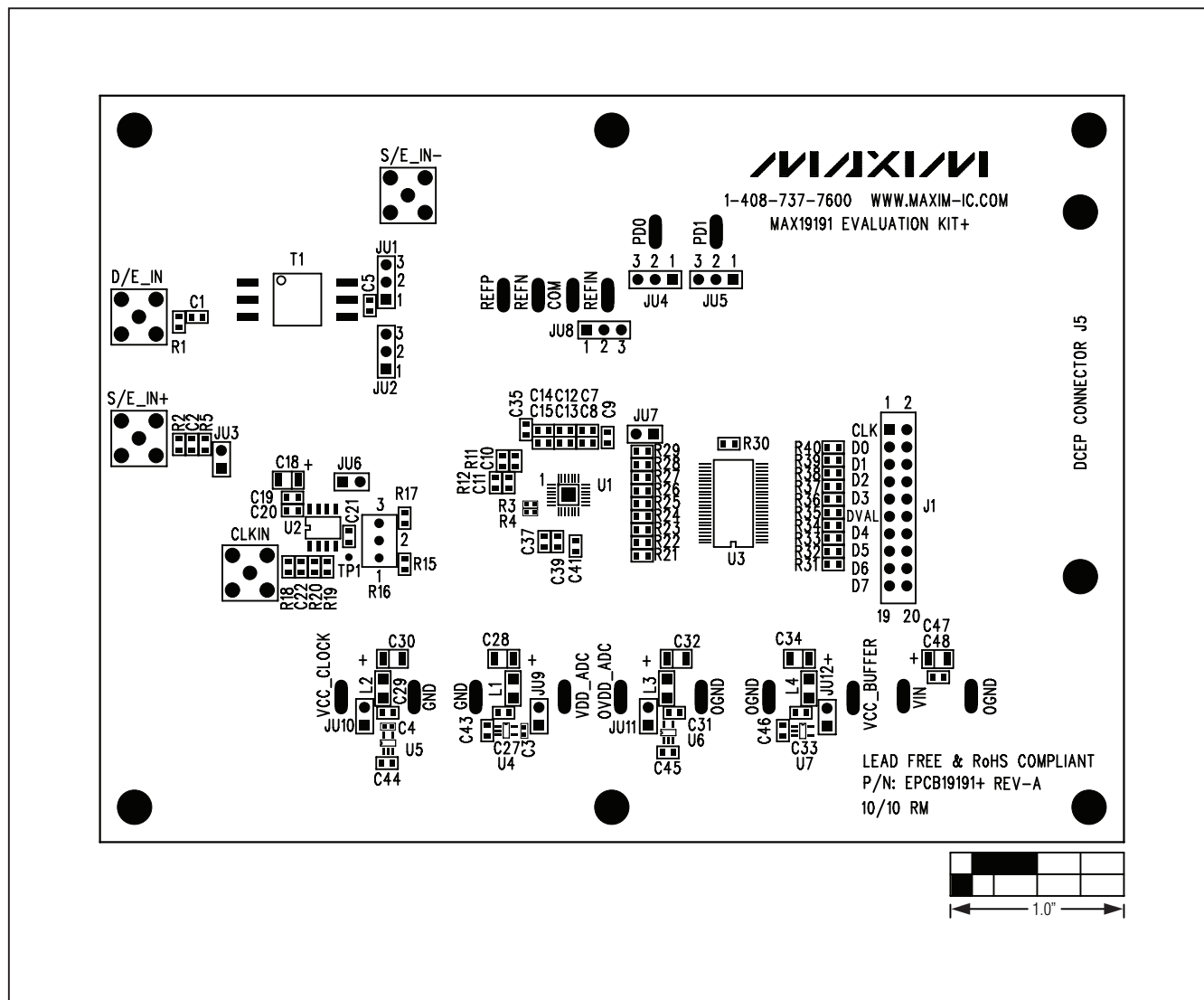


Figure 2. MAX19191 EV Kit Component Placement Guide—Component Side

MAX19191 Evaluation Kit

Evaluates: MAX19191

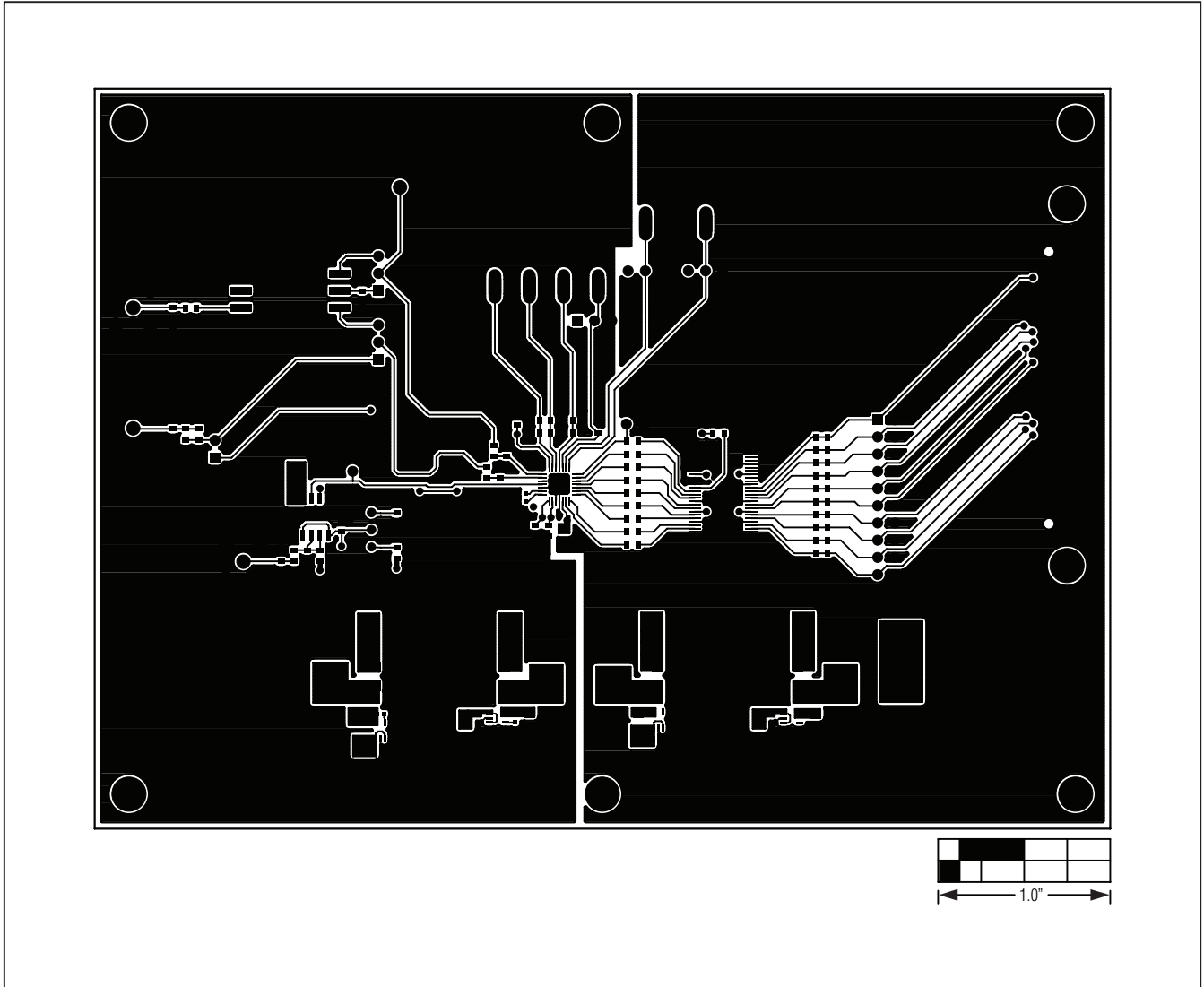


Figure 3. MAX19191 EV Kit PCB Layout—Component Side

MAX19191 Evaluation Kit

Evaluates: MAX19191

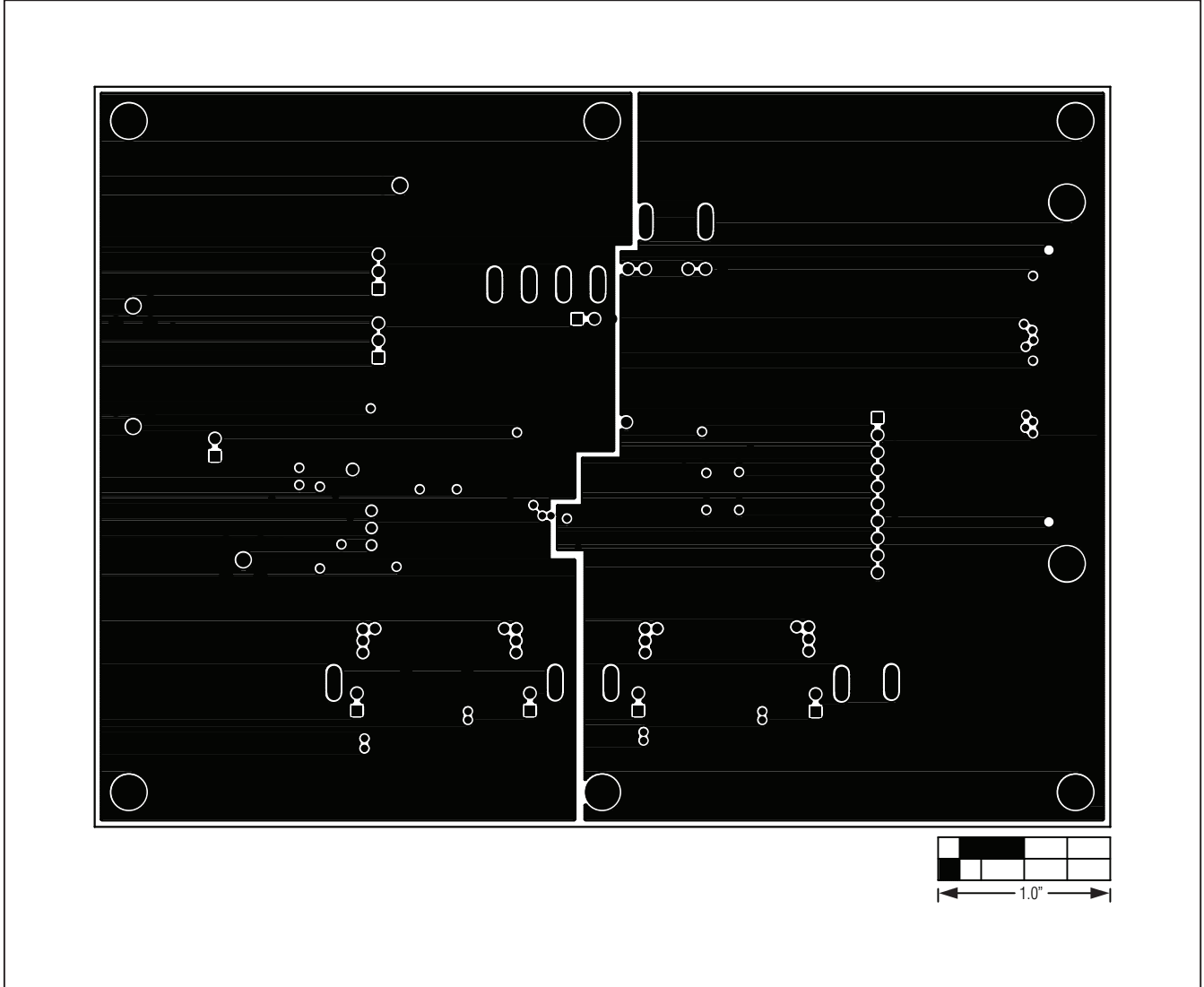


Figure 4. MAX19191 EV Kit PCB Layout—Ground Planes

MAX19191 Evaluation Kit

Evaluates: MAX19191

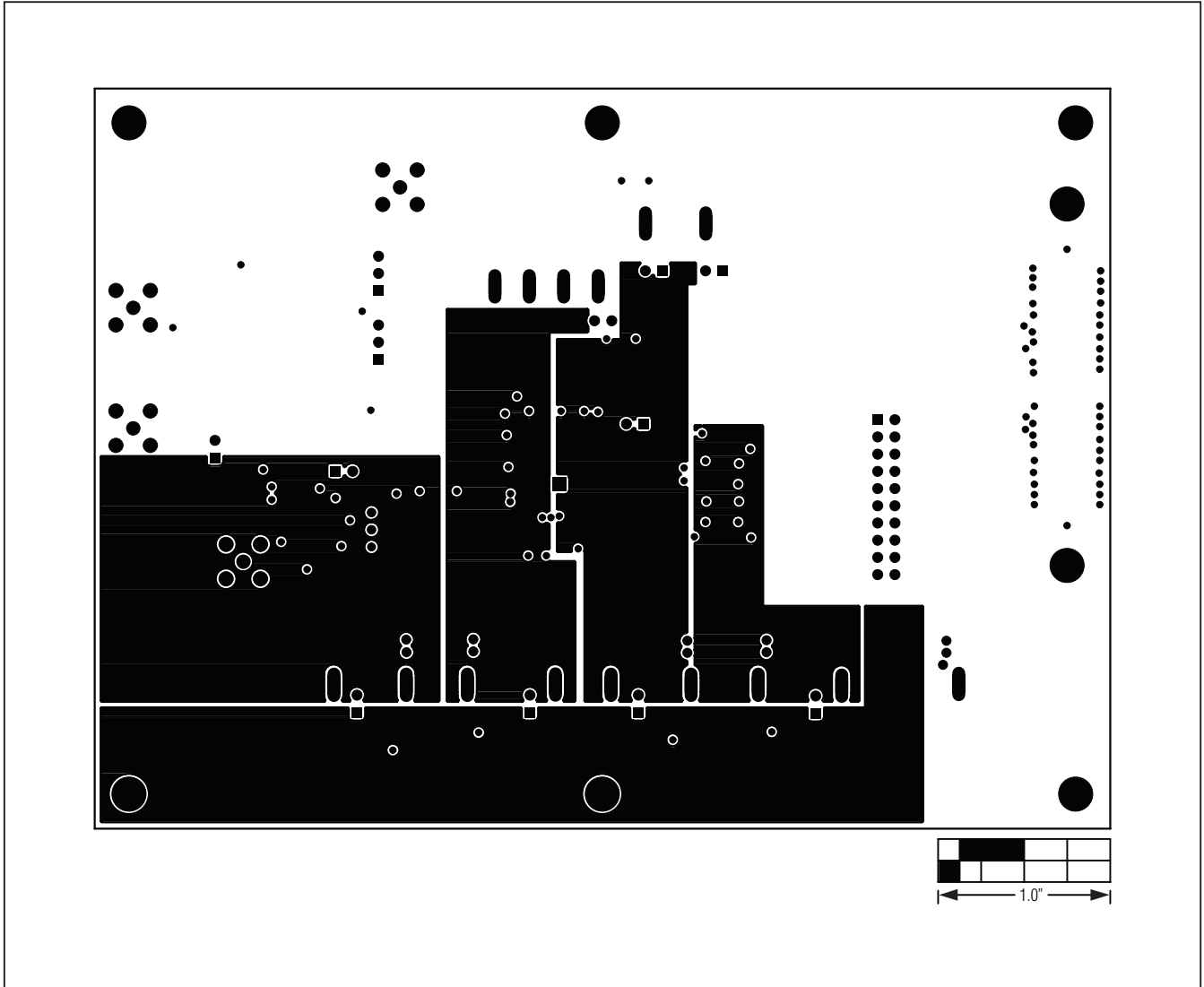


Figure 5. MAX19191 EV Kit PCB Layout—Power Planes

MAX19191 Evaluation Kit

Evaluates: MAX19191

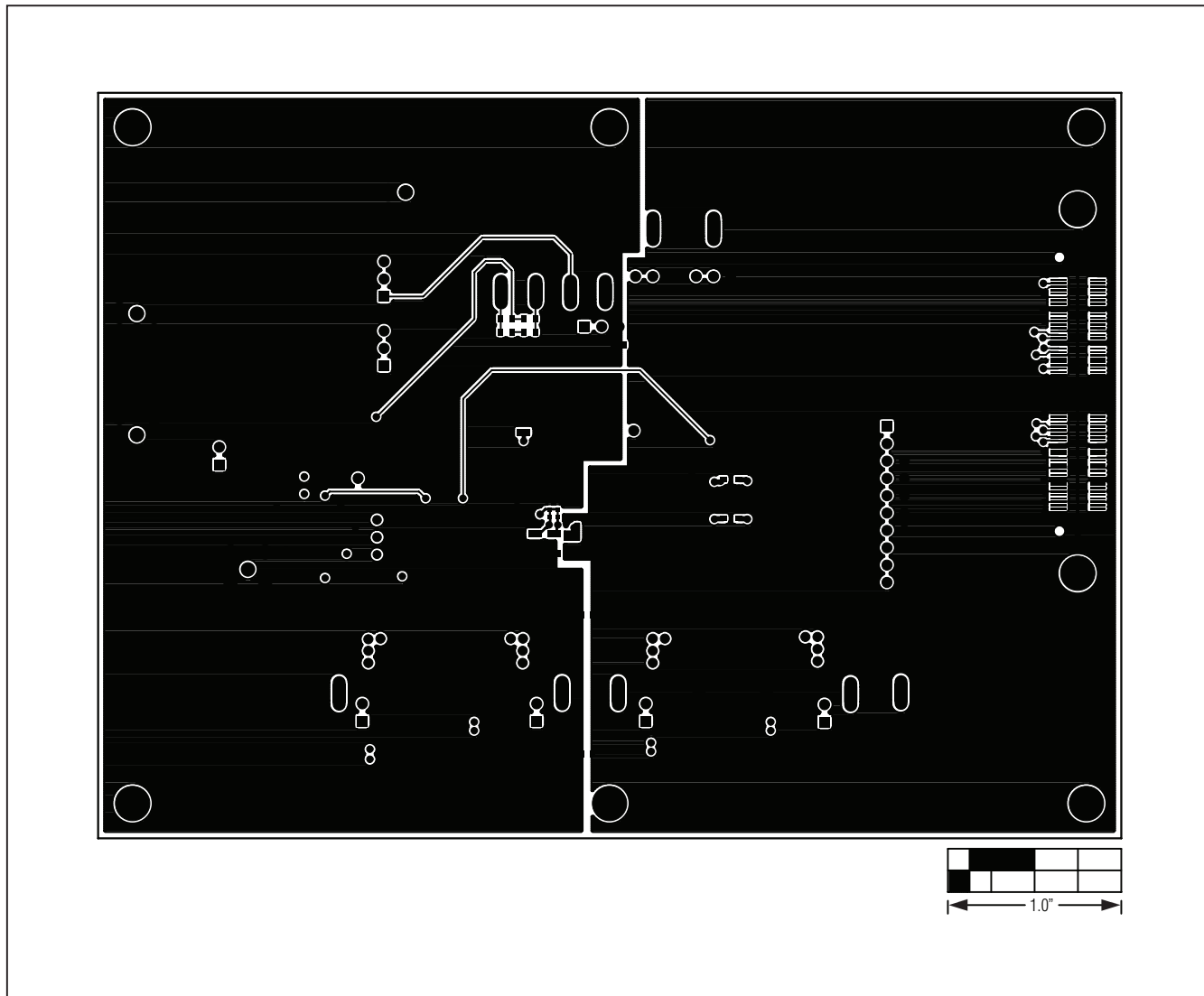


Figure 6. MAX19191 EV Kit PCB Layout—Solder Side

MAX19191 Evaluation Kit

Evaluates: MAX19191

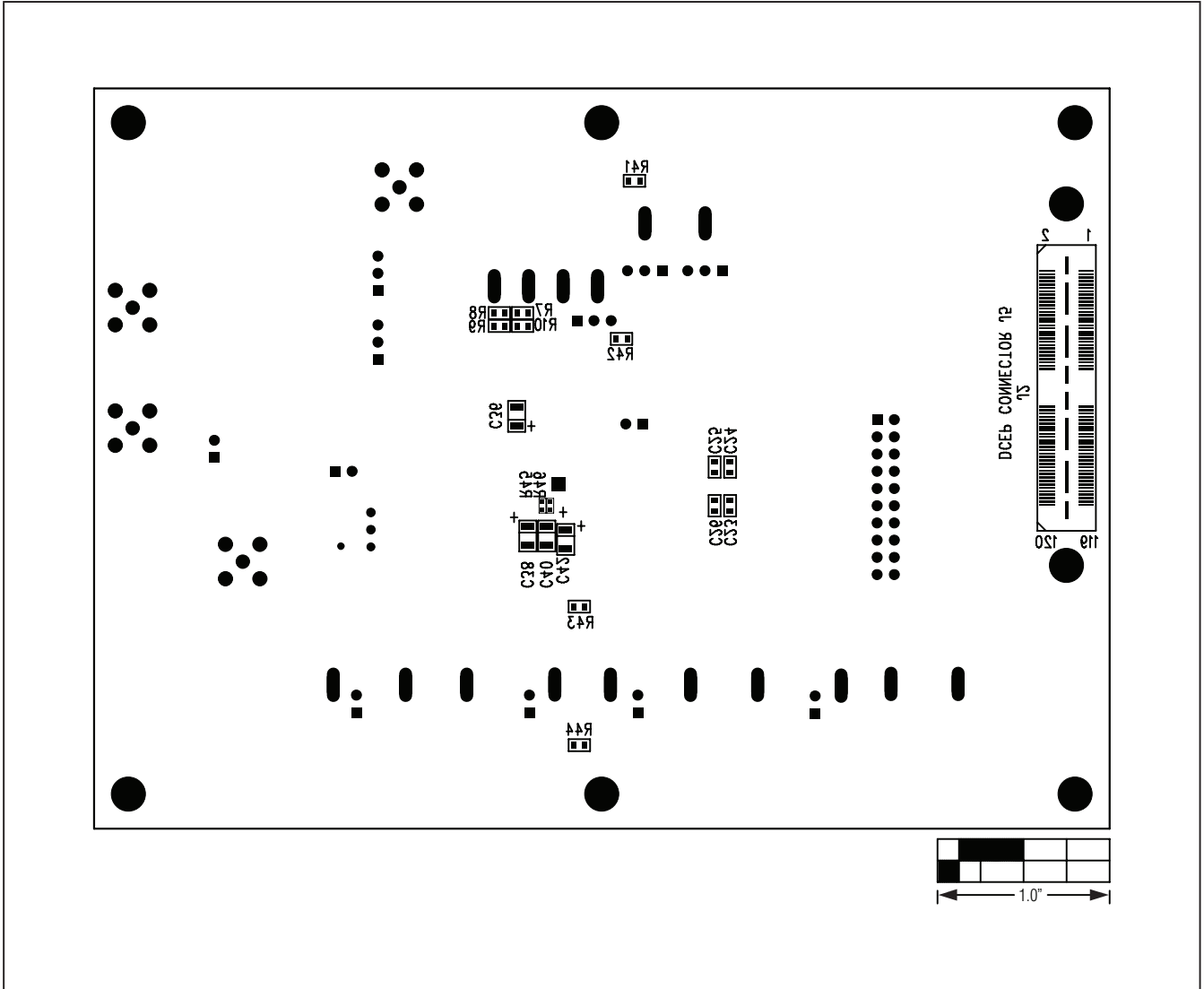


Figure 7. MAX19191 EV Kit Component Placement Guide—Solder Side

MAX19191 Evaluation Kit

Evaluates: MAX19191

Revision History

REVISION NUMBER	REVISION DATE	DESCRIPTION	PAGES CHANGED
0	11/10	Initial release	—

Maxim cannot assume responsibility for use of any circuitry other than circuitry entirely embodied in a Maxim product. No circuit patent licenses are implied. Maxim reserves the right to change the circuitry and specifications without notice at any time.

16 **Maxim Integrated Products, 120 San Gabriel Drive, Sunnyvale, CA 94086 408-737-7600**

© 2010 Maxim Integrated Products

Maxim is a registered trademark of Maxim Integrated Products, Inc.