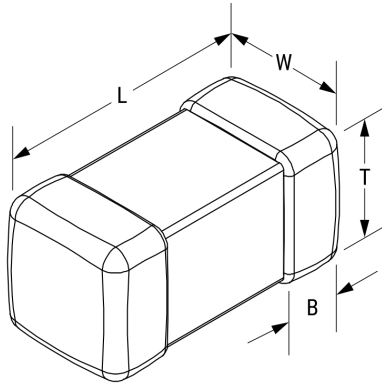


L0806C3R3MDWST

Aliases (L0806C3R3MDWST)

Not for New Design • Scheduled EOL - Last date to buy 30 JUN 2023

KEMET, L-DWS, Power, 3.3 uH, 20%



Click [here](#) for the 3D model.

Dimensions

Chip Size	0806
L	2mm +/-0.2mm
W	1.6mm +/-0.2mm
T	1.6mm +/-0.2mm
LL	0.5mm +/-0.2mm
B	0.5mm +/-0.2mm

Packaging Specifications

Packaging	T&R
Packaging Quantity	2000

General Information

Series	L-DWS
Style	SMD Chip
Description	Surface Mount Inductor
Features	Standard Type
RoHS	Yes
Notes	Last Order Date June 30, 2023. Suggested Replacement - https://www.chilisin.com/en-global/Inductor/Product/BKPB_201610/BKPB002016103R3MA2 .

Specifications

Inductance	3.3 uH (7.96 MHz)
Inductance Tolerance	20%
Temperature Range	-40/+105°C
Current	400 mAmps (Isat, 30% Drop In Inductance), 800 mAmps (Irms, 40C Rise By Self Heating)
DC Resistance	0.2 Ohms
Self-Resonant Frequency	55 MHz MIN