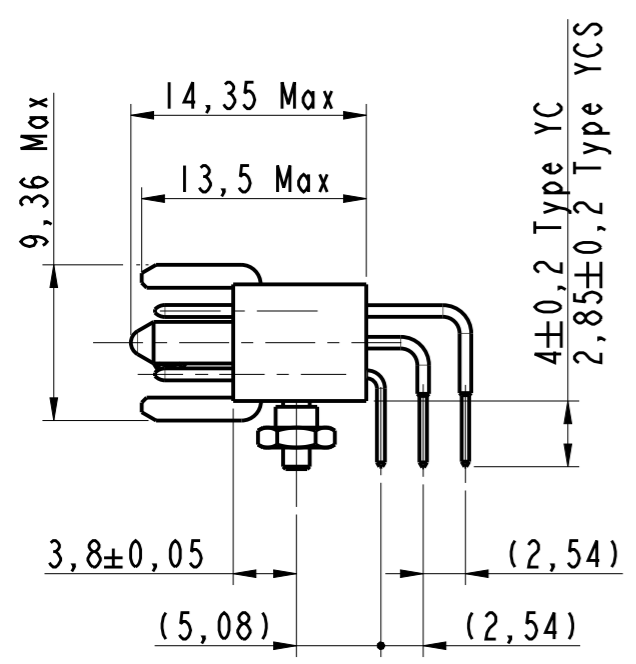
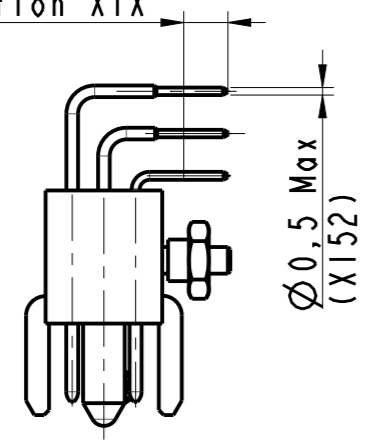


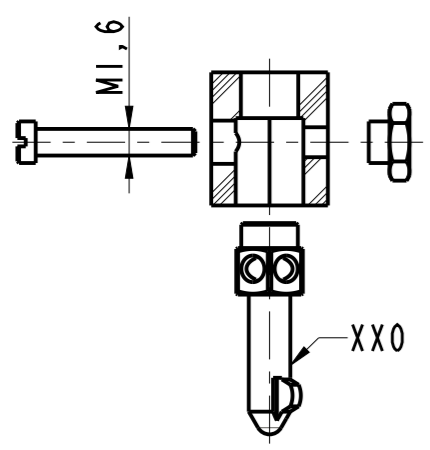
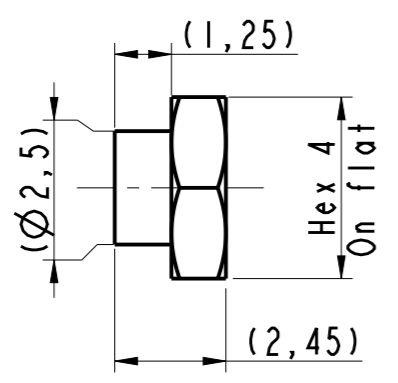
IN THE CONSTANT PURPOSE OF IMPROVING ITS PRODUCTS, AMPHENOL SOCAPEX RESERVES THE RIGHT TO MODIFY ANY DIMENSION OR CHARACTERISTICS. FM.NPD.0036.THYZE.PUNE rev C



Tinning; deviation XIX  
 2 Min for YCS  
 3 Min for YC

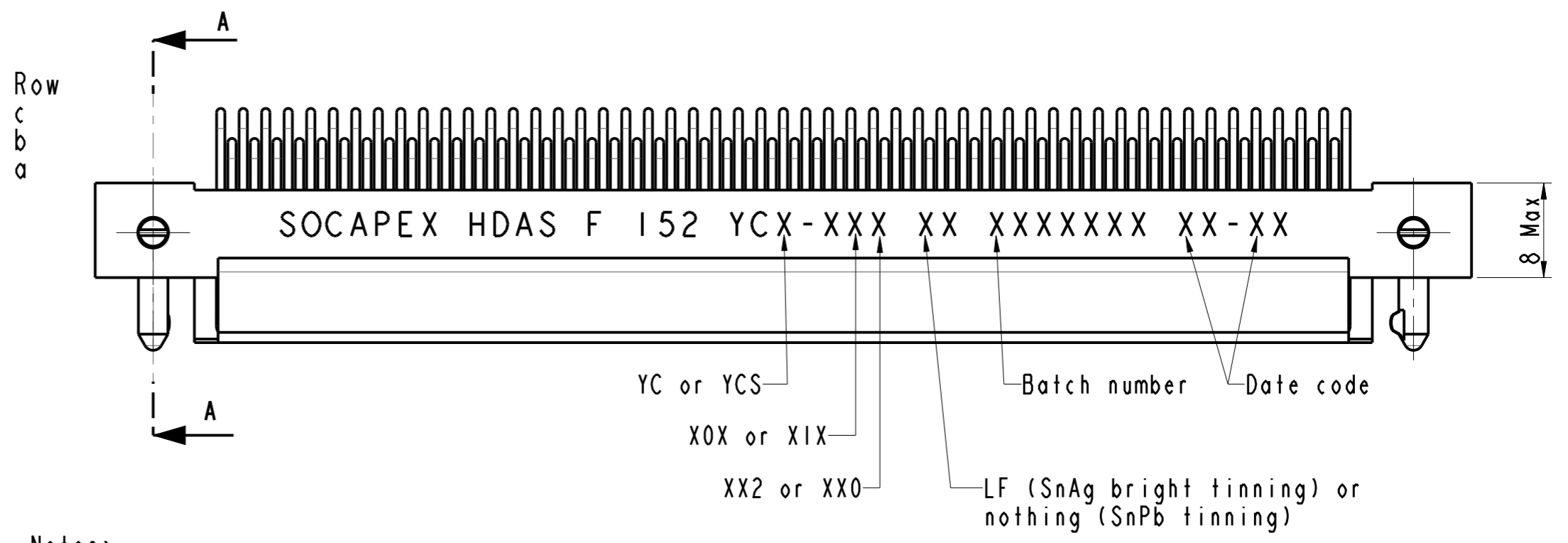
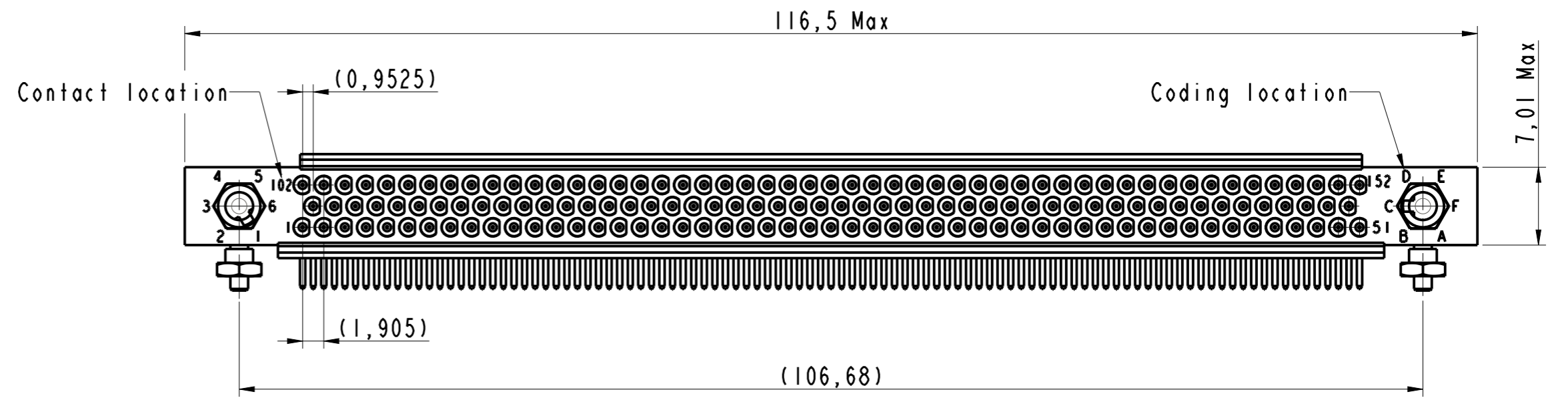


Shoulder nut  
 Scale 8



Coding guide  
 Section A-A

Uncoding  
 guide



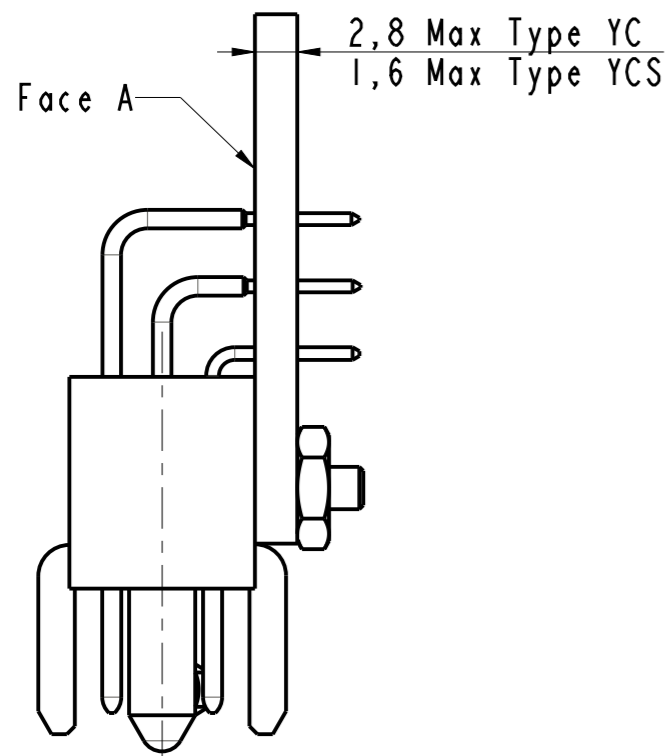
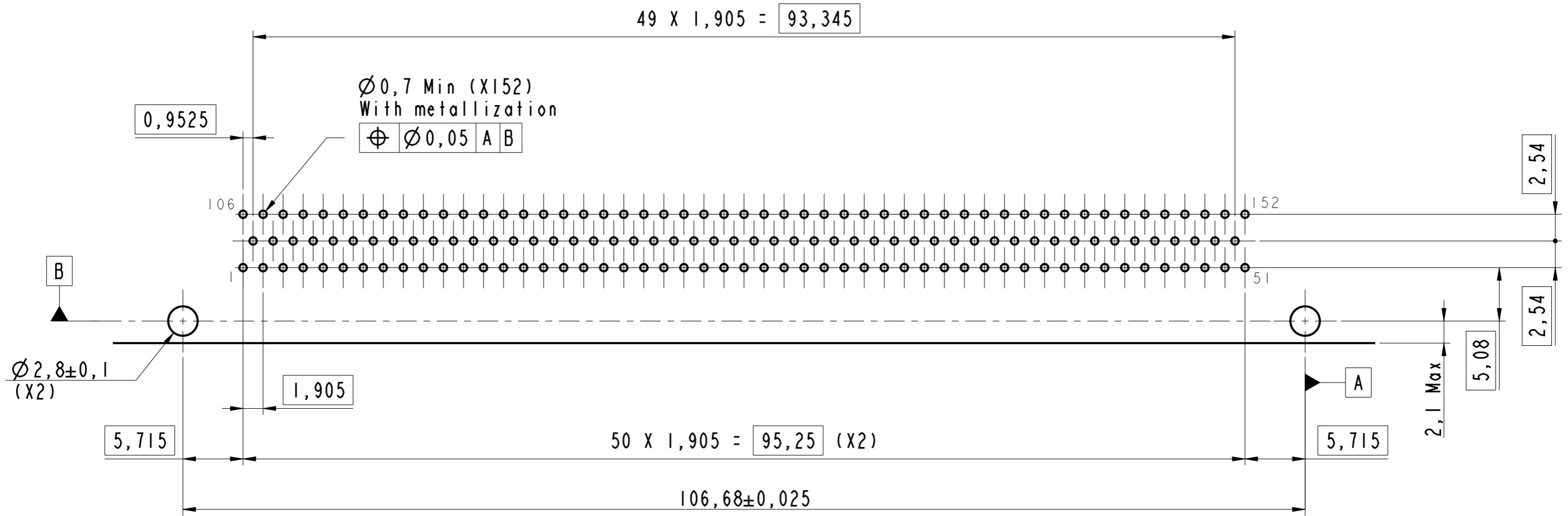
Notes:

- Part: HDAS F 152 YCX-XXX XX
- External dimensions for a male plug with 152 signal contacts type YCX
- Connector delivered with fittings not assembled, coupling torque : 0,15Nm
- Standard OXX : Nickel plated over brass fittings.  
 Deviation IXX : Passivated stainless steel fittings.
- Standard XOX : Contacts gold plated (RoHS)  
 Deviation XIX : Contacts tail Hot dip tinned  
 SnPb (non RoHS) or SnAg (RoHS)

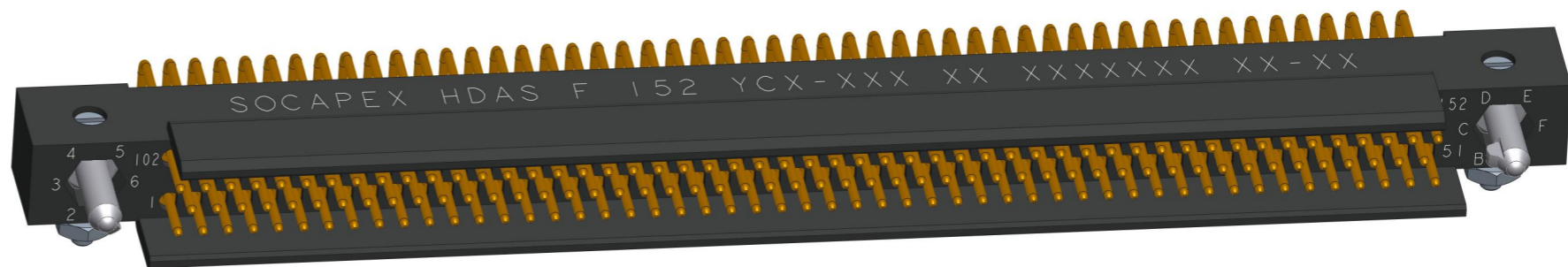
# HDAS F 152 YCX-XXX XX

DRAWN BY : S Satpute		UPDATED BY : S Satpute		LAST APPROVED BY : T Carrier	
ALL DIMENSIONS ARE IN MM		AMPHENOL SOCAPEX		ORIGINAL DRAWING DATE : 03/09/2019	CONFIGURATION DATA ARE AVAILABLE IN PDM
SCALE : 2,2				REV : D	PAGE : 1/2
		B.P. 29 74311 THYZE CEDEX		169-PLC-1326-00	

PCB Layout  
Face A



Scale 3,5



Scale 2

# HDAS F 152 YCX-XXX XX

DRAWN BY : S Satpute		UPDATED BY : S Satpute		LAST APPROVED BY : T Carrier	
ALL DIMENSIONS ARE IN MM		AMPHENOL SOCAPEX		ORIGINAL DRAWING DATE : 03/09/2019	CONFIGURATION DATA ARE AVAILABLE IN PDM
SCALE : 2,5				REV : D	PAGE : 2/2
		B.P. 29 74311 THYEZ CEDEX		169-PLC-1326-00	

IN THE CONSTANT PURPOSE OF IMPROVING ITS PRODUCTS, Amphenol Socapex reserves the right to modify any dimension or characteristics. FM.NPD.0036.THYEZ.PUNE rev C