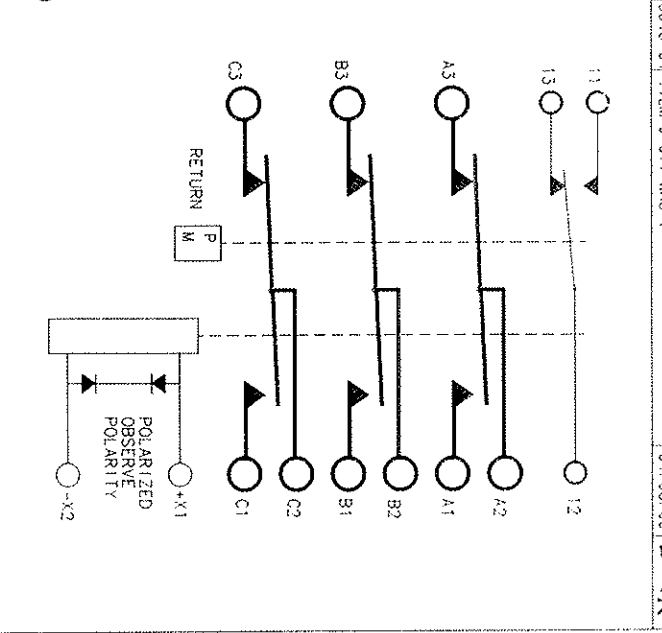
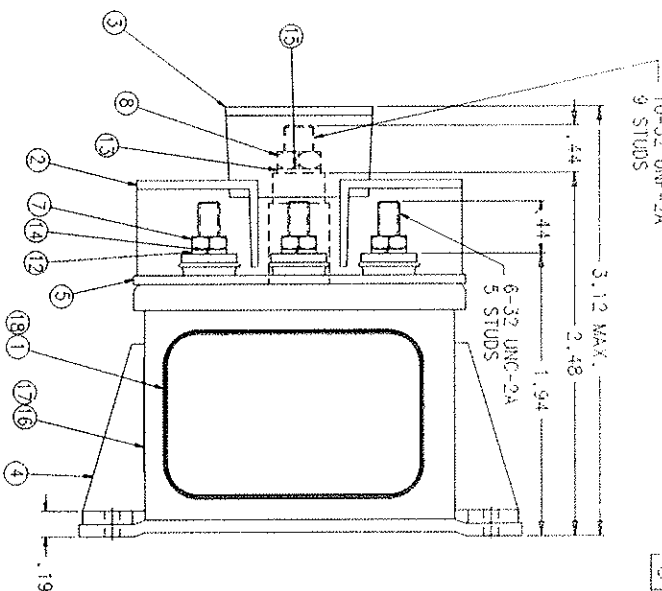
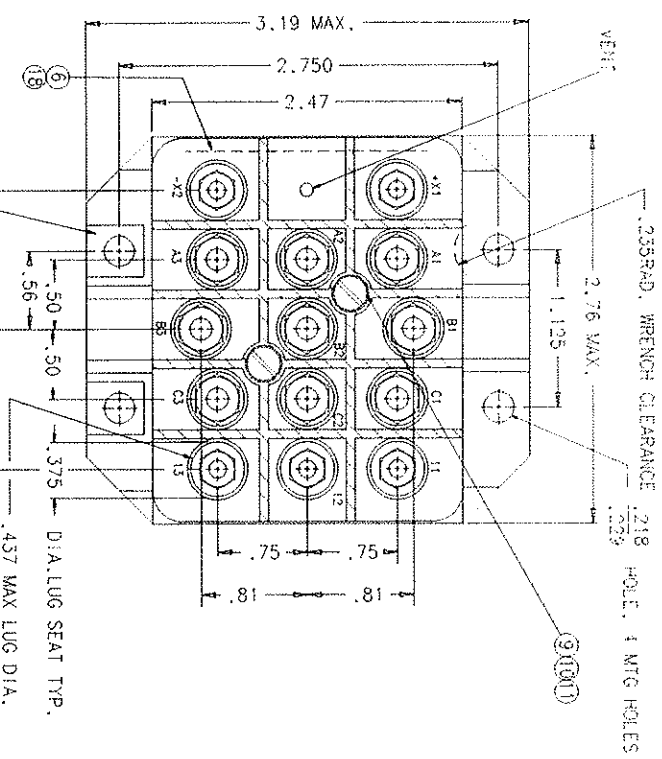


REVISIONS		RELEASED	DATE	BY
A	4048 3.12 MAX WAS 3.17 MAX	99/08/02	00/03/16	RS
B	41936 REMOVED PRELIMINARY ADDED RELEASE DATE	00/03/15		RS
C	10645-04 ITEM 9 QTY WAS 1	04/08/09		JMK



REV	QTY	PART OR IDENTIFYING NO	OVERLAY - WARNING PLATE	FSOA NO	DRAWING OR SPECIFICATION	MATERIAL OR NOTE	FIND QTY	PART OR	NAME - DESCRIPTION	FSOA NO	DRAWING OR SPECIFICATION	MATERIAL OR NOTE
18	2	39529-033	OVERLAY				1	16043-001	PLATE - WARNING			
17	1	39529-006	OVERLAY				1	16043-001	PLATE - WARNING			
16	1	25695-001					1		PLATE - WARNING			
15	9	51702-851					9		WASHER-7/16 X 13/64 X .032			FLAT STEEL
14	5	51702-211					5		WASHER-3/8 X 9/64 X .032			FLAT STEEL
13	9	51810-031					9		WASHER LOCK - #10 SPLIT			STEEL
12	5	51806-021					5		WASHER LOCK - #6 SPLIT			STEEL
11	2	51805-011					2		WASHER - 5/16 X .103 X .015			NYLAR
10	2	51701-180					2		SOREM - 5/40 X 11/8 RD. HD.			STEEL
9	2	51205-391					2		NUT - 10-32 X 3/8 X 1/8 HEX.			STEEL
8	9	50410-031					9		PLATE - WIRING DIAGRAM			STEEL
7	5	50406-071					5		PLATE - BASE COVER			STEEL
6	1	31738-001					1		CONTRACTOR ASSEMBLY - PRIMARY			STEEL
5	1	29376-001					1		SHIELD - TERMINAL TOP			
4	1	29360-040					1		SHIELD - TERMINAL			
3	1	20115-001					1		PLATE - NAME			
2	1	20114-001					1		PLATE - NAME			

FIND QTY	PART OR IDENTIFYING NO	OVERLAY - WARNING PLATE	FSOA NO	DRAWING OR SPECIFICATION	MATERIAL OR NOTE
18	39529-033	OVERLAY			
17	39529-006	OVERLAY			
16	25695-001				
15	51702-851				
14	51702-211				
13	51810-031				
12	51806-021				
11	51805-011				
10	51701-180				
9	51205-391				
8	50410-031				
7	50406-071				
6	31738-001				
5	29376-001				
4	29360-040				
3	20115-001				
2	20114-001				

2 PL DEC 13 PL DEC JAN 05 11 03 010 11

MASS OIG/MS SPECIFIED DIRECTIONS ARE IN FIGURES TELEPHONES ON

DASH	HEAT ASS	USED ON	SCALE	HOME	SHEET	OF
			C	74063		

DR. B. MES 10/03/20  
 CH. BY RS 10/03/20  
 EITGP MES 00/03/20  
 VITG CC 00/03/20

50 AMP, 115/200 VAC, 400 HZ 093

D-7GR-3

REF TYCO P/N 0-1616036-4



Hartford, Conn. 06115 N. DIAMOND STREET WASHINGTON, DC 20044

REV	EQUI	DESCRIPTION	DATE	APPROVED
B	41936	SEE SHEET 1	00/03/16	P.S.
C	0645-04	SEE SHEET 1	04/08/09	SMK

REVISIONS

RELEASED

00-03-16

NOTES:

1. THIS UNIT MEETS THE APPLICABLE PORTIONS OF MIL-R-6106.
2. MATERIAL DATA: TERMINAL BASE-BRASS, CASE ALUMINUM, PLATE-BASE COVER (1) GLASS MELAMINE MIL-P-15037C, TERMINAL SHIELD (2) & (3) NYLON 3001 MAIN TERMINAL STUDS-CA #175 BRY COPPER
3. SUITABLE FOR USE ON 50 AMP LOAD TRANSFER APPLICATIONS; 50,000 OPERATIONS AT 7 P.F.
4. TRANSFER OPEN CIRCUIT TIME 1.5MS MIN.
5. COIL TRANSIENT VOLTAGE LIMITED TO 45 VOLTS.

CONSTRUCTION

MAIN CONTACT

CONFIGURATION  
VOLTAGE (NOMINAL)  
CURRENT-RES.

IND.  
MOTOR  
OVERLOAD  
RUPTURE

AUXILIARY CONTACTS

CONFIGURATION  
VOLTAGE (NOMINAL)  
CURRENT - RESISTIVE

IND.  
LAMP

LIFE ELECTRICAL  
LIFE MECHANICAL

COIL DATA

DUTY CYCLE  
NOM. COIL VOLTAGE  
PICKUP MAX.  
DROPOUT VOLTAGE  
COIL RESISTANCE  
COIL CURRENT AT 25°C

ENVIRONMENTAL DATA

AMBIENT TEMPERATURE  
VIBRATION: SINE  
ACCELERATION  
SHOCK  
ALTITUDE  
MAX. WEIGHT

50,000 CYCLES MIN.  
100,000 CYCLES MIN.

CONTINUOUS

28 VDC  
15 VDC AT 25°C  
2.5 VOLTS TO 6.5 VOLTS AT 25°C  
126 OHMS ±20%  
.280 AMPS MAX. AT 28 VDC

-55°C TO +71°C  
0.036 INCH D A FROM 10 TO 55 HZ  
5 G'S FROM 55 TO 500 HZ  
10 G'S  
25 G'S MAX FOR 6 TO 9 MILLISECONDS  
50,000 FEET MAX  
1 LB, 2 OZ

DRESS DIMENSIONS SPECIFIED DIMENSIONS ARE IN INCHES TOLERANCES ON		REF. GRUHMANN	125 HORTON ST. #115 N. DIAMOND STREET WANSLEY, OH 44092
3 PL. DEC. 3 PL. DEC. INCHES		GR835VE	
MATERIAL		DP. B.Y. MEST 00/03/20	
		CHK. BT. PS 00/03/20	
		ENGR. MEST 00/03/20	
		TYPE G. CC 00/03/20	
		SIZE	
		CODE IDENT	
		C 74063	
SCALE: NOMEL SHEET 2 OF 2			
DASH NO.	HEAT ASS. USED ON		
APPLIC. CATION			
		ONE NO.	D-7GR-3
		PEF TYOO P/N	0-1616036-4

