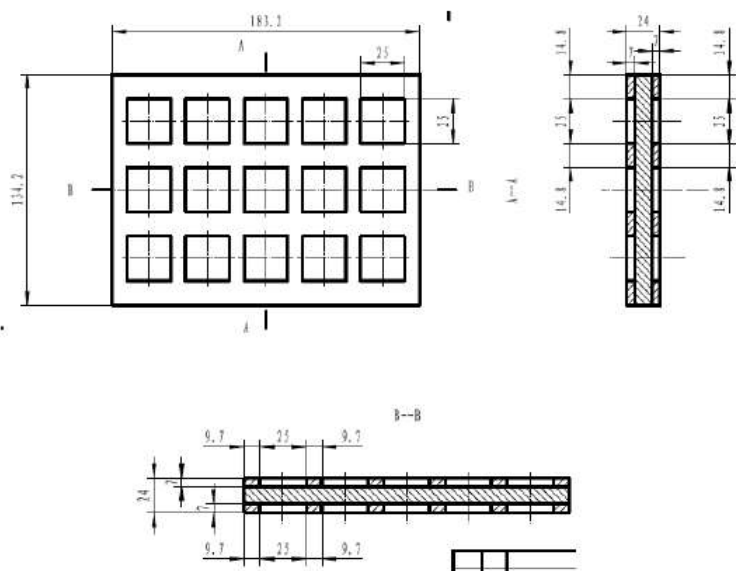


ECN/PCN No.: 4099

For Manufacturer			
Product Description: Oven Controlled Crystal Oscillator	Abracón Part Number / Part Series: AOCJY	<input type="checkbox"/> Documentation only <input checked="" type="checkbox"/> ECN <input type="checkbox"/> EOL	<input checked="" type="checkbox"/> Series <input type="checkbox"/> Part Number
Affected Revision: F	New Revision: G	Application:	<input type="checkbox"/> Safety <input checked="" type="checkbox"/> Non-Safety

Prior to Change:

Packaging: (15) units per tray

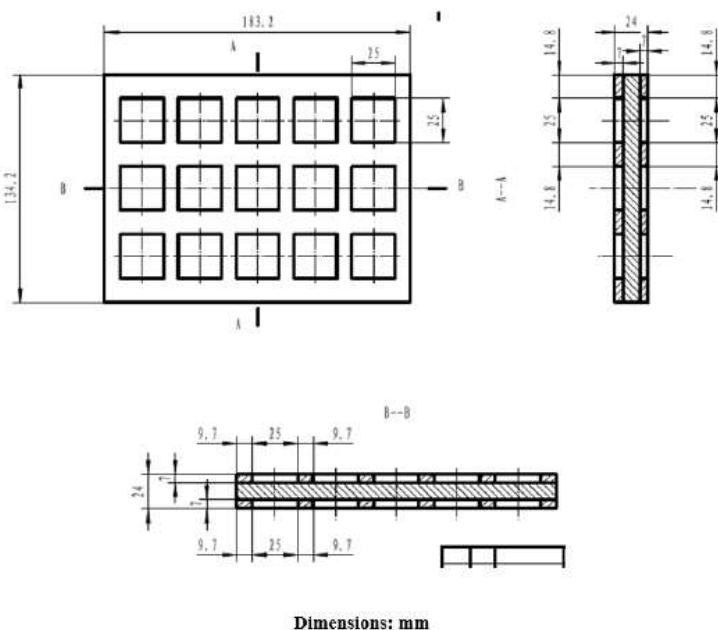
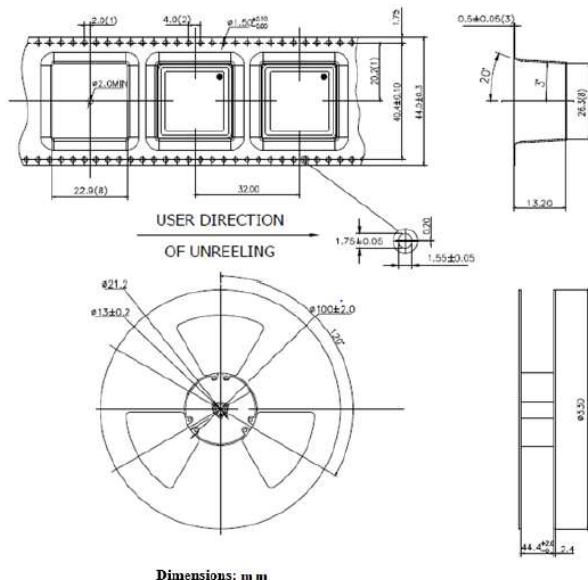


After Change:

Packaging

(15) units per tray
 Tray packaging applies to MOQ less than or equal to 30 units

Tape & Reel=50 units
 Tape & Reel packaging applies to MOQ>30 units



Cause/Reason for Change: Standard product series review and upgrade. Updated packing method for higher volume quantities.		
Change Plan		
Effective Date: 04/25/2022	Additional Remarks: N/A	
Change Declaration: This change does not affect the electrical nor mechanical performance of this product.		
Issued Date: 04/25/2022	Issued By:	Issued Department:
Approval:	Approval:	Approval:
For Abracon EOL only		
Last Time Buy (if applicable): N/A	Alternate Part Number / Part Series: N/A	
Additional Approval: N/A	Additional Approval: N/A	Additional Approval: N/A
Customer Approval (If Applicable)		
Qualification Status: <div style="text-align: center;"><input type="checkbox"/> Approved <input type="checkbox"/> Not accepted</div> <i>Note: It is considered approved if there is no feedback from the customer 1 month after ECN/PCN is released.</i>		
Customer Part Number:		Customer Project:
Company Name:	Company Representative:	Representative Signature:
Customer Remarks:		