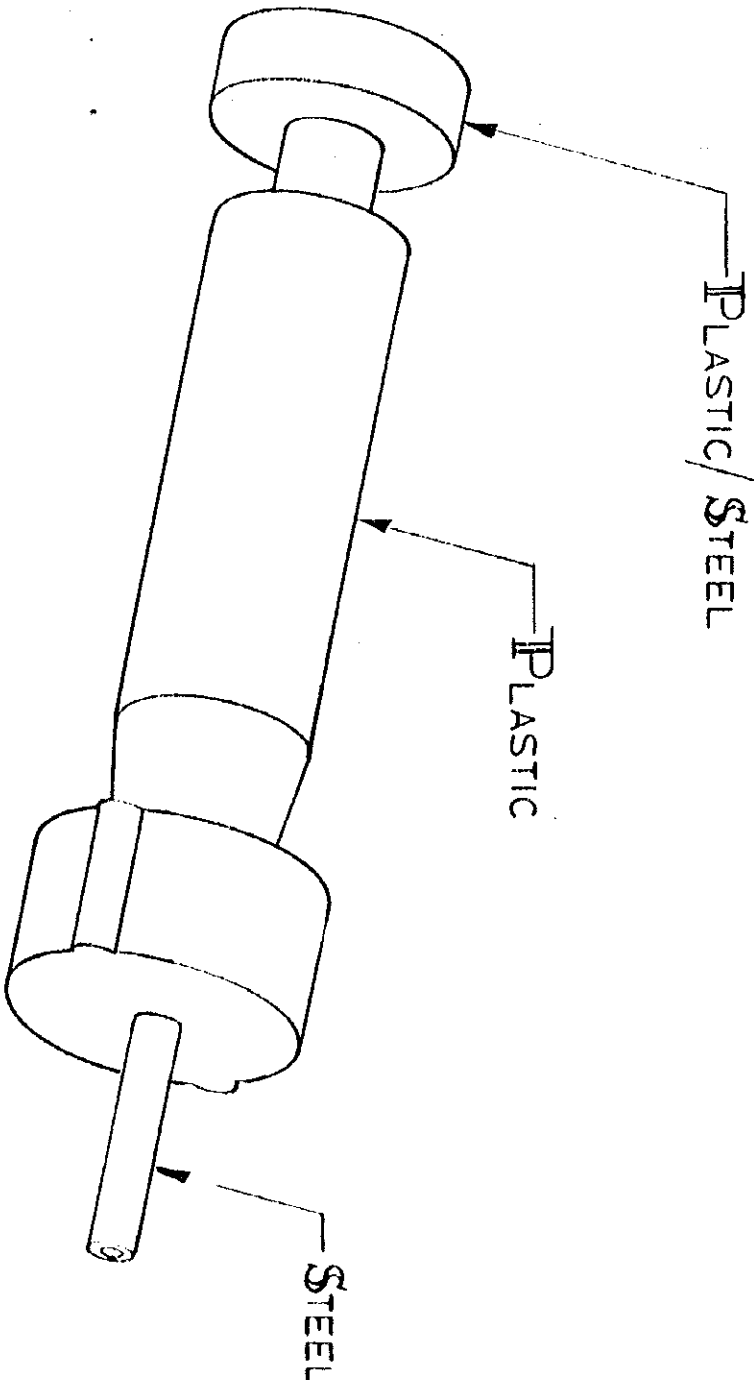


5

TOOL NUMBER	REMOVES	
	TERMINAL	HOUSING
455822-1	61061	480408
	61062	480409
	61063	480420
	61064	480421
		480422
		480423
		480451
		480452
455822-2	61445	480489
	61670	480490
	350018	480494
	350019	480495
	350171	480496
	350183	480497
	350184	480589
		480590
		480591
		480592
		480606
	480607	
	480608	
	480609	
	480610	
	480611	
	480612	
	480613	
	480616	

FROM



Unpublished copy not to be reproduced nor published without written permission of AMP Incorporated

PRINT DIST

DIMENSIONS IN INCHES. DO NOT SCALE PRINT.

AMP 1253 REV 11/65

7

6

5

4

3

2

1

CL	REV	DATE	BY	CHK	DATE
01	Supersedes - Redrawn				

NUMBER 455822

DATE	DESCRIPTION

DR	WJK 6/7/72
CHK	WJK 6-15-72
DE	W.M. KISSINGER
APP	11/10/71

MATERIAL AND FINISH	
SEE NOTES	
WIRE - RANGE - INSULATION	
TOLERANCE EXCEPT AS NOTED	SCALE
LOC	NO
A	B
	455822
	01

CUSTOMER COPY REFERENCE ONLY

AMP INCORPORATED
MAYBROOK, N.J.

CLASS COMBOLINE - MR CONN.
TYPE PINS AND SOCKETS

TOOL, EXTRACTION