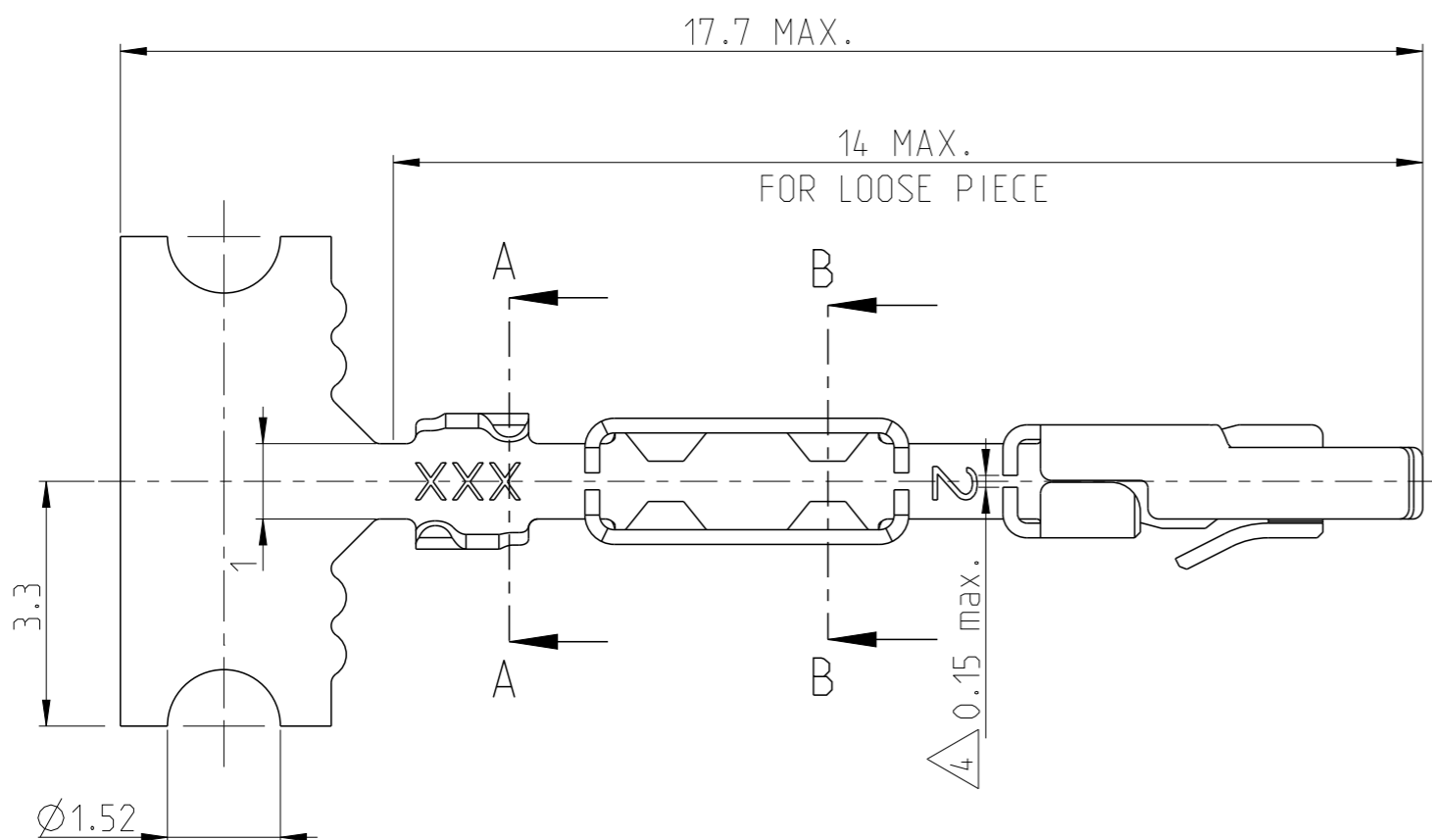


REVISIONS

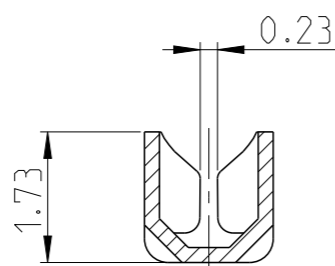
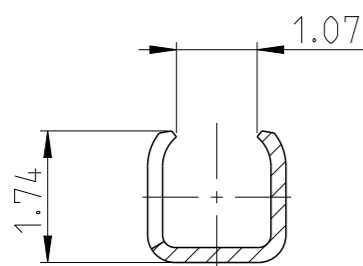
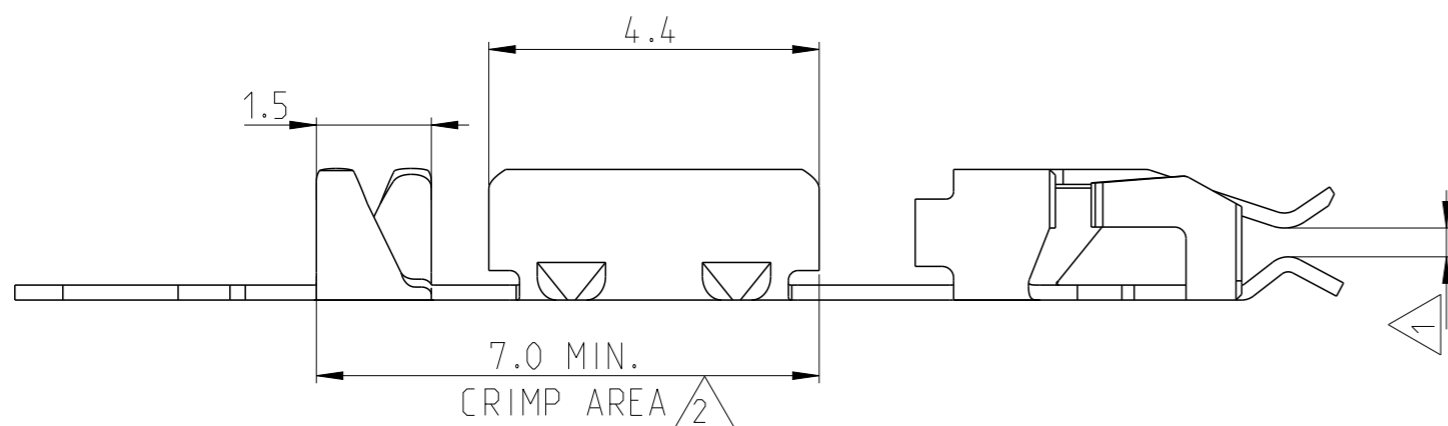
P	LTR	DESCRIPTION	DATE	DWN	APVD
	C1	NEW DRAWING CREATED IN CREO	03FEB2015	JB JH	BRUN
	C2	LEAD REMOVED AT NOTE 2	18NOV2015	MAH.	BRUN



NOTES:

- 1 SUITABLE FOR 0.64 x 0.64 POST
- 2 CRIMP AREA PLATED WITH 2.5 µm MIN. TIN OVER 0.8 NICKEL
- 3 GOLD PLATING
 - 2 0.4 µm GOLD OVER 0.8 µm NICKEL
 - 3 0.8 µm GOLD OVER 0.8 µm NICKEL
 - 4 1.25 µm GOLD OVER 0.8 µm NICKEL
 - 5 2.0 µm GOLD OVER 0.8 µm NICKEL
 - 1- -5 1.5 µm GOLD OVER 1.25 µm NICKEL
 - 1- -6 1 µm GOLD OVER 1.25 µm NICKEL
 - 8 1.7 µm GOLD OVER 0.8 µm NICKEL

4 POST STOP DIMENSION



SECTION A-A

SECTION B-B

215141-8	PHOSPHER BRONZE	
1-215141-6		
1-215141-5		
215141-5		
215141-4		
215141-3		
215141-2		
ORDER NO.	MATERIAL	PLATING

THIS DRAWING IS A CONTROLLED DOCUMENT.		DWN	03FEB1986	 TE Connectivity
		CHK	05FEB1986	
		APVD	17FEB1986	
DIMENSIONS: mm		TOLERANCES UNLESS OTHERWISE SPECIFIED:		NAME
		0 PLC ± 1 PLC ± 2 PLC ± 3 PLC ± 4 PLC ± ANGLES ±		RECEPTICAL CONTACT WITH MASS TERMINATION AREA FOR AWG 26-22
MATERIAL		FINISH		SIZE
-		-		A3
-		-		CAGE CODE
				DRAWING NO
				©=215141
				RESTRICTED TO
				-
		CUSTOMER DRAWING		SCALE
				10:1
		SHEET		1 OF 1
		REV		C2