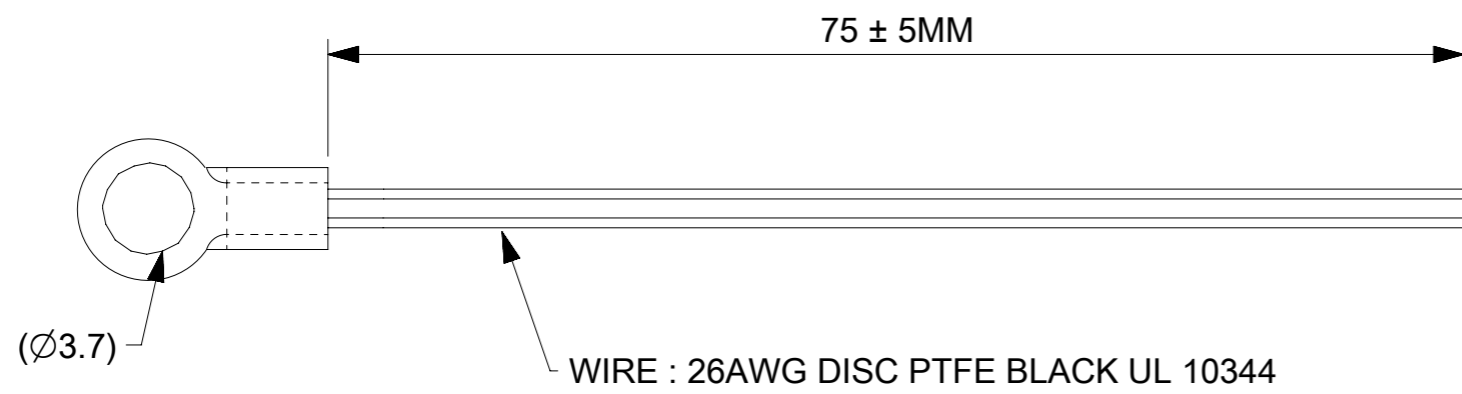
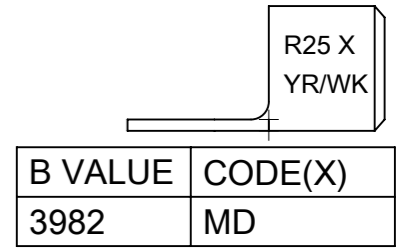


LASER MARKING DETAILS



RESISTANCE VS TEMP CHARACTERISTICS:

Temp(°C)	R min (KΩ)	R nom (KΩ)	R max (KΩ)	Temp(°C)	R min (KΩ)	R nom (KΩ)	R max (KΩ)
-40	293.5	306.8	320.7	50	3.485	3.556	3.629
-35	214.7	223.8	233.1	55	2.874	2.939	3.005
-30	158.8	165.0	171.3	60	2.382	2.441	2.500
-25	118.6	122.8	127.2	65	1.984	2.036	2.090
-20	89.390	92.320	95.340	70	1.660	1.706	1.754
-15	68.150	70.190	72.290	75	1.394	1.436	1.479
-10	52.350	53.780	55.230	80	1.176	1.213	1.251
-5	40.500	41.500	42.510	85	0.997	1.030	1.065
0	31.550	32.250	32.950	90	0.849	0.879	0.909
5	24.710	25.190	25.680	95	0.725	0.752	0.779
10	19.480	19.810	20.150	100	0.622	0.646	0.670
15	15.450	15.680	15.910	105	0.535	0.557	0.579
20	12.330	12.490	12.640	110	0.462	0.481	0.501
25	9.900	10.000	10.100	115	0.401	0.418	0.436
30	7.954	8.052	8.150	120	0.348	0.364	0.380
35	6.425	6.517	6.611	125	0.303	0.317	0.332
40	5.215	5.301	5.388	130	0.258	0.270	0.284
45	4.253	4.332	4.412	135	0.213	0.223	0.236

NOTES:

1. RESISTANCE TOLERANCE @ 25°C : 10KΩ±1%.
3. B-VALUE(25/85°C) : 3982K±1%.
4. OPERATING TEMPERATURE RANGE : -40°C TO +105°C.
5. RING TERMINAL MOUNTING HOLE DIAMETER : 3.7MM.
6. TERMINAL IS NICKEL PLATED COPPER.
7. VOLTAGE BREAKDOWN STRENGTH : MIN 1500VAC FOR 3SEC BETWEEN CONDUCTOR AND EYELET/RING LUG
8. RESPONCE TIME : APPROX 10 SECOND IN LIQUID MEDIUM
- 9.INSULATION RESISTANCE :MINIMUM OF 100MOHM @ 500VOLTS DC IN METALIC BALLS.

FUNCTIONAL SYMBOLS ▽/A = 0 ▽/E = 0 ▽/Z = 0	THIS DRAWING CONTAINS INFORMATION THAT IS PROPRIETARY TO MOLEX ELECTRONIC TECHNOLOGIES, LLC AND SHOULD NOT BE USED WITHOUT WRITTEN PERMISSION		CURRENT REV DESC:		<p>NTC RING CABLE - 3982, M3.5 75MM 10K, 1%</p>
	DIMENSION UNITS	SCALE	EC NO: 657688		
	mm	NTS	DRWN: RAVIKM 2021/03/10		
	GENERAL TOLERANCES (UNLESS SPECIFIED)		CHK'D: RBBHASKAR 2021/03/17		
DIVISIONAL SYMBOLS	ANGULAR TOL ± °		APPR: RBBHASKAR 2021/03/17		<p>PRODUCT CUSTOMER DRAWING</p> <p>DOCUMENT NUMBER: 2146551633</p> <p>DOC TYPE: PSD</p> <p>DOC PART: 000</p> <p>REVISION: A</p>
	4 PLACES ±		INITIAL REVISION:		
	3 PLACES ±		DRWN: RAVIKM 2021/03/10		
	2 PLACES ±		APPR: RBBHASKAR 2021/03/17		
1 PLACE ±		SERIES: A3-SIZE		SHEET NUMBER: 1 OF 1	
0 PLACES ±		MATERIAL NUMBER: 214655			
DRAFT WHERE APPLICABLE MUST REMAIN WITHIN DIMENSIONS		THIRD ANGLE PROJECTION	DRAWING	CUSTOMER	