

4

3

2

1

THIS DRAWING IS UNPUBLISHED.

RELEASED FOR PUBLICATION

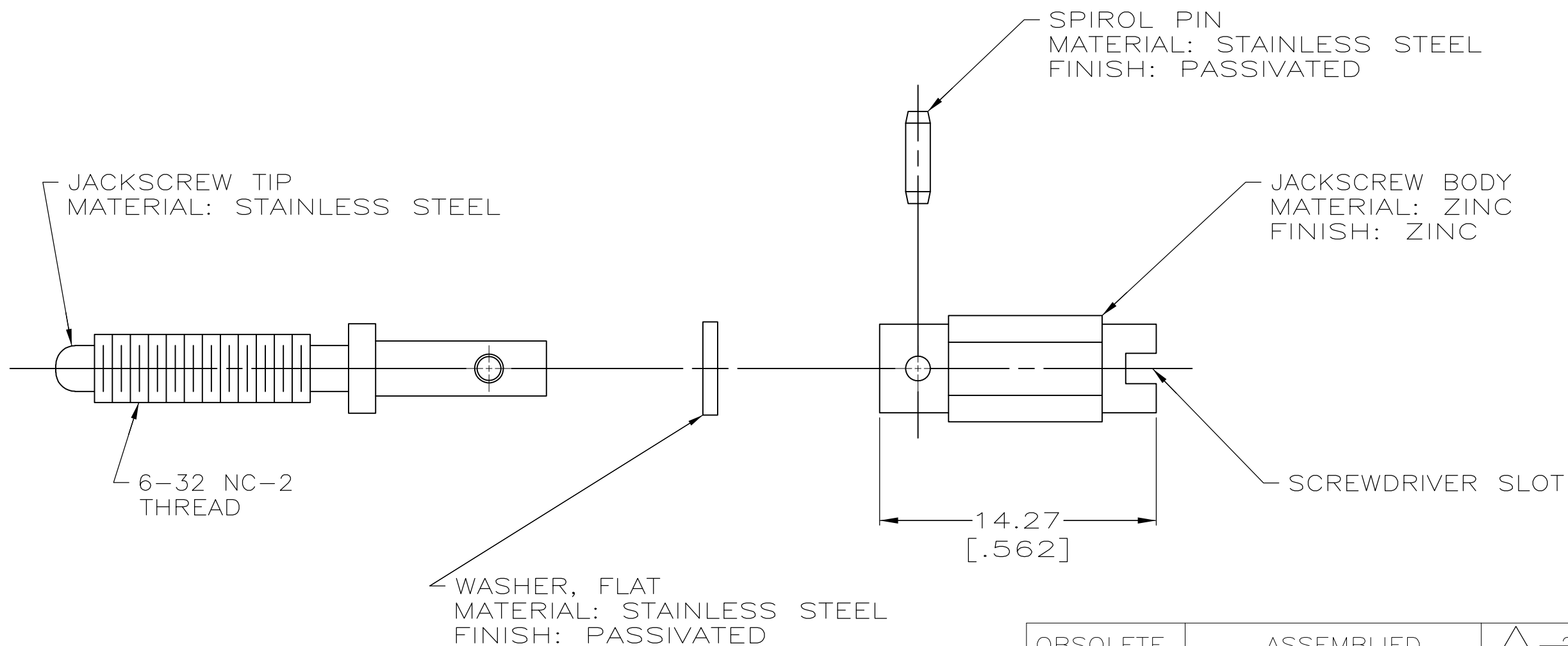
ALL RIGHTS RESERVED.

© COPYRIGHT - By -

REVISIONS

P	LTR	DESCRIPTION	DATE	DWN	APVD
G1		REVISED PER ECO-16-004000	08OCT2016	NK	MZ

1 PRELIMINARY PART NUMBER



OBSOLETE	ASSEMBLED	1-203535-3
	BULK	203535-2
	PACKAGING TYPE	PART NUMBER

THIS DRAWING IS A CONTROLLED DOCUMENT.		DWN C.DORWART 25 SEP 95	STE TE Connectivity	
DIMENSIONS: mm [INCHES]		CHK R.STONE 28 SEP 95		
TOLERANCES UNLESS OTHERWISE SPECIFIED:		APVD G.STEINHAUER 04 OCT 95	NAME	
0 PLC ± -		PRODUCT SPEC	MALE JACKSCREW ASSY FOR	
1 PLC ± -		APPLICATION SPEC	GROUNDING CONNECTOR SHORT-SHORT,	
2 PLC ± 0.38 [.015]		WEIGHT	SIZE	RESTRICTED TO
3 PLC ± -		CUSTOMER DRAWING	CAGE CODE	DRAWING NO
4 PLC ± -			A300779	
ANGLES ± -		SCALE	SHEET	REV
FINISH		4:1	1 OF 1	G1
MATERIAL SEE CALLOUTS	FINISH SEE CALLOUTS			