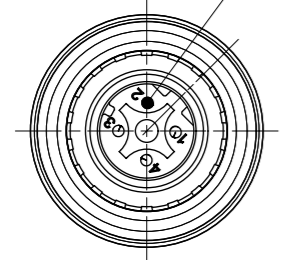


VIEW FROM THE FRONT SIDE

PIN	WIRE COLOR
1	YE
2	WH
3	OR
4	BU

SHIELD CONNECTED TO COUPLING NUTS



VIEW FROM THE FRONT SIDE

### PART No. MATRIX

E	W	W	A	0	6	2	1	0	M	X	X	X
---	---	---	---	---	---	---	---	---	---	---	---	---

E=ETHERNET

HEADS:  
W=M12 4-Pole Ultra Lock D-Coding  
W=M12 4-Pole Ultra Lock D-Coding

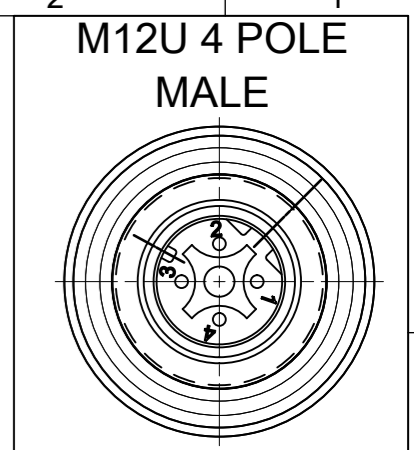
HEADS STYLE:  
062=MALE STR / MALE RA

UNITS:  
M = METER  
T=10x METER

LENGTH EXAMPLES:  
005=0.5m  
010=1m  
150=15m

WIRING TYPE:  
A=4 Pole STRAIGHT WIRED

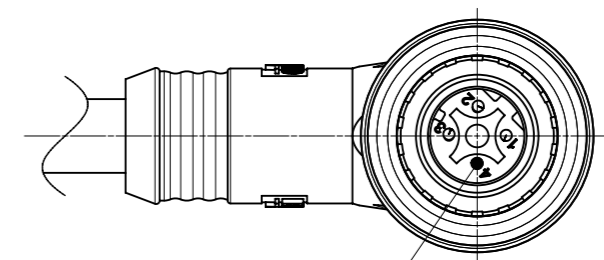
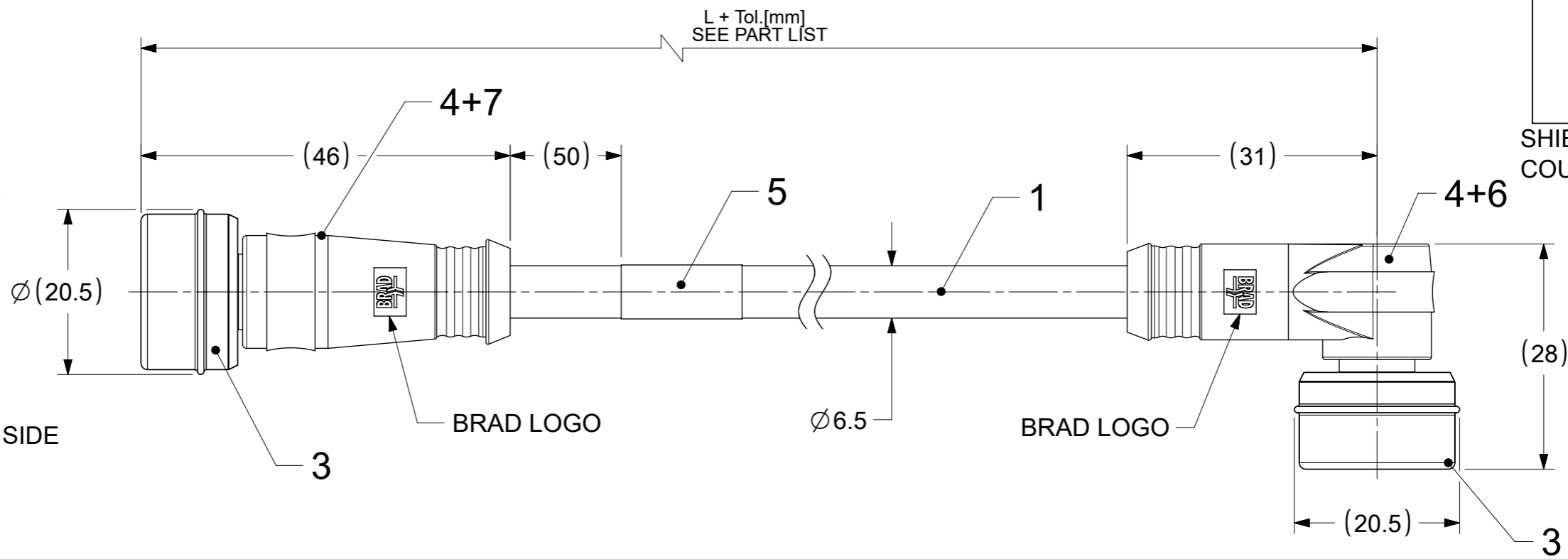
CABLE TYPE



VIEW FROM THE FRONT SIDE

PIN	WIRE COLOR
1	YE
2	WH
3	OR
4	BU

SHIELD CONNECTED TO COUPLING NUTS



VIEW FROM THE FRONT SIDE

#### PART LIST

MOLEX PN	ENGINEERING No	L+Tol. [mm]
1201080097	EWWA06210M006	600+45
1201080098	EWWA06210M010	1000 +56
1201080099	EWWA06210M020	2000 +89
1201080100	EWWA06210M050	5000+165
1201080101	EWWA06210M100	10000+317
1201080151	EWWA06210M030	3000+89

#### BOM

ITEM	QTY.	DESCRIPTION	MATERIAL	FINISH/COLOR
7	1	LEEVE SHIELD	BRASS	Ni-PLATED
6	1	SHIELD CLOSURE CAP-90	BRASS	Ni-PLATED
5	1	LABEL	VINYL	YELLOW
4	-	MOULDING MATERIAL	TPU	BLACK
3	2	ULTRALOCK MALE ASSEMBLY	-	-
2	8	CONTACT MALE	BRASS	Au OVER Ni
1	-	ETHERNET CABLE-CAT5eES	PUR	GREEN

NOTES :

ACC. TO CAT5e ETHERNET STD.  
 MAX. VOLTAGE : 30V  
 MAX. CURRENT : 1.5A  
 IP RATING : IP67  
 TEMPERATURE RANGE : -20°C TO +75°C

FUNCTIONAL SYMBOLS	THIS DRAWING CONTAINS INFORMATION THAT IS PROPRIETARY TO MOLEX ELECTRONIC TECHNOLOGIES, LLC AND SHOULD NOT BE USED WITHOUT WRITTEN PERMISSION	SCALE	CURRENT REV DESC:	molex			
▽A = 0	mm	3:2		MIC 4P M/MP ULLOCK ST/90 XM			
▽E = 0	GENERAL TOLERANCES (UNLESS SPECIFIED)			PRODUCT CUSTOMER DRAWING			
▽V = 0	ANGULAR TOL ± 1.0°						
	4 PLACES ±						
	3 PLACES ±						
DIVISIONAL SYMBOLS	EC NO: 703538			DOCUMENT NUMBER			
	DRWN: SSM						
	CHK'D: RSILLER			1201080097			
	APPR: RSILLER						
	INITIAL REVISION:			DOC TYPE DOC PART REVISION			
	DRWN: SSM						
	APPR: RSILLER			PSD 000 A			
	DRWN: SSM						
DRAFT WHERE APPLICABLE MUST REMAIN WITHIN DIMENSIONS		THIRD ANGLE PROJECTION	DRAWING	SERIES	MATERIAL NUMBER	CUSTOMER	SHEET NUMBER
		⊕	A3-SIZE	120108	SEE PART LIST	GENERAL MARKET	1 OF 1