

ID LABEL TEXT
 P/N: 111068XXXX X.XM XXAWG

 S/N: YDDLSSSS

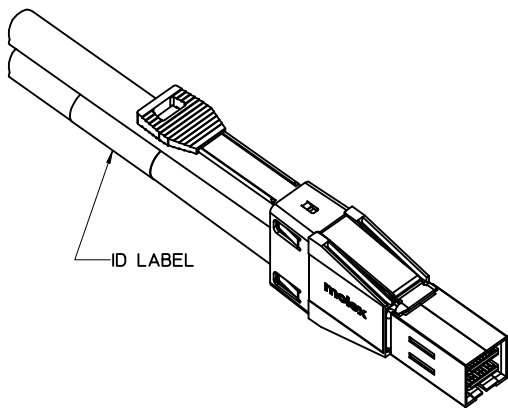
YDDLSSSS
 SSSS---SERIAL NUMBERS
 L---LOCATION (1 = HPC, 2 = GUAD, 3 = DG)
 DDD---DAY OF THE YEAR
 Y--- YEAR, THE LAST DIGIT OF YEAR

MOLEX P/N	MOLEX REV	DESCRIPTION	LENGTH	TOL	KEY	IDENTIFER	GAGE
1110683000	D	X4 MINISAS 2.0 TO MINISAS HD 2.1	0.5M	0.025M	2'4'6	UNIVERSIAL KEY, SAS	30
1110683001	D	X4 MINISAS 2.0 TO MINISAS HD 2.1	1.0M	0.050M	2'4'6	UNIVERSIAL KEY, SAS	28
1110683002	D	X4 MINISAS 2.0 TO MINISAS HD 2.1	2.0M	0.050M	2'4'6	UNIVERSIAL KEY, SAS	28
1110683003	D	X4 MINISAS 2.0 TO MINISAS HD 2.1	3.0M	0.100M	2'4'6	UNIVERSIAL KEY, SAS	28

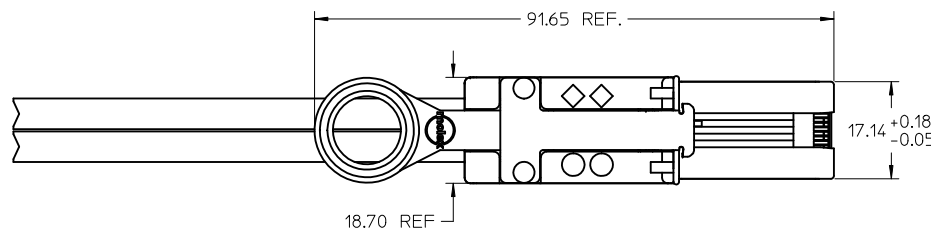
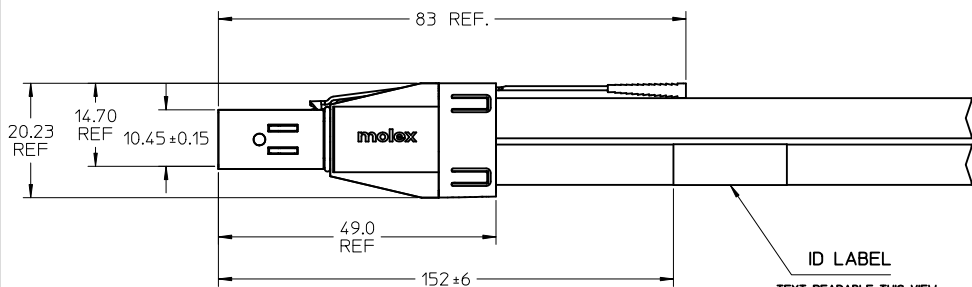
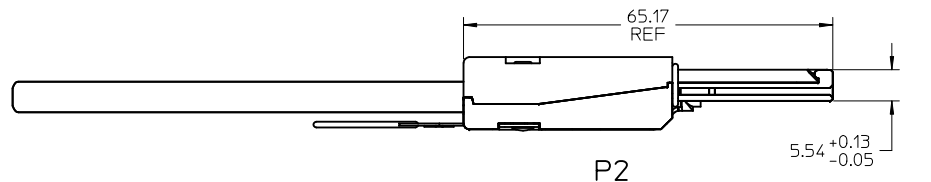
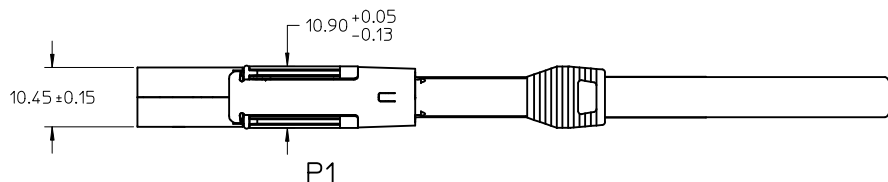
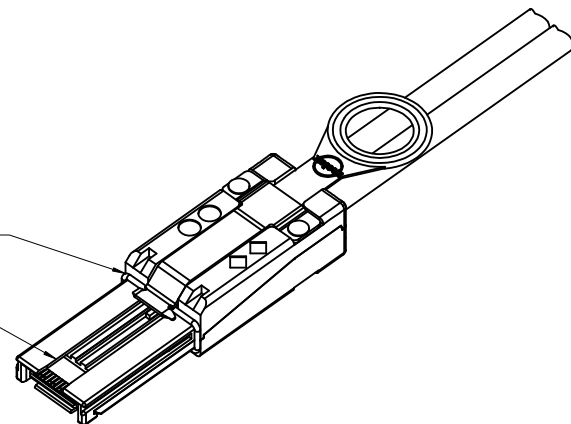
- NOTES:**
- MATERIAL-**
BACKSHELLS - ZINC DIECAST.
LATCH - STAINLESS STEEL.
PULL - MOLDED PLASTIC.
 - LENGTH-** SEE TABLE.
 - ELECTRICAL PERFORMANCE PER SAS 2.1.**
 - ALL ASSEMBLIES HAVE AN EEPROM IN ACCORDANCE WITH SFF 8636.**
 - LEAD FREE, NO RoHS EXEMPTIONS.**
 - TAPE CABLE BUNDLES EVERY 1/2 METER (APPROX) USING (BLACK) TAPE.**

CLARIFY LABEL INFO EC NO: USY2012-0498 TDRWN:TPRATT 2011/10/18 CHKD:BREED 2011/10/18 APPR:RMKHAN 2011/12/06	QUALITY SYMBOLS ▽=0 ▽=0	GENERAL TOLERANCES (UNLESS SPECIFIED) <table border="1"> <tr> <th></th> <th>mm</th> <th>INCH</th> </tr> <tr> <td>4 PLACES</td> <td>± .005</td> <td>± .0004</td> </tr> <tr> <td>3 PLACES</td> <td>± .003</td> <td>± .0002</td> </tr> <tr> <td>2 PLACES</td> <td>± .013</td> <td>± .0005</td> </tr> <tr> <td>1 PLACE</td> <td>± 0.25</td> <td>± .010</td> </tr> </table> ANGULAR ± 2°		mm	INCH	4 PLACES	± .005	± .0004	3 PLACES	± .003	± .0002	2 PLACES	± .013	± .0005	1 PLACE	± 0.25	± .010	DIMENSION STYLE MM ONLY	SCALE 1.5:1	DESIGN UNITS METRIC	THIRD ANGLE PROJECTION
				mm	INCH																
4 PLACES	± .005	± .0004																			
3 PLACES	± .003	± .0002																			
2 PLACES	± .013	± .0005																			
1 PLACE	± 0.25	± .010																			
DRAFT WHERE APPLICABLE MUST REMAIN WITHIN DIMENSIONS	MATERIAL NO. SEE CHART	DOCUMENT NO. SD-111068-3000	SHEET NO. 1 OF 4																		

THIS DRAWING CONTAINS INFORMATION THAT IS PROPRIETARY TO MOLEX INCORPORATED AND SHOULD NOT BE USED WITHOUT WRITTEN PERMISSION

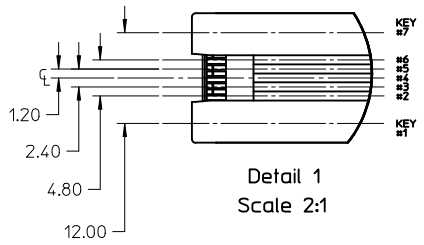


EMI GASKET
KEY WAY



X.X OR XX.X = LENGTH AS SHOWN IN CHART.

YDDDLSSSS
SSSS---SERIAL NUMBERS
L---LOCATION (1 = HPC, 2 = GUAD, 3 = DG)
DDD---DAY OF THE YEAR
Y--- YEAR, THE LAST DIGIT OF YEAR



MOLEX P/N	MOLEX REV	DESCRIPTION	LENGTH	TOL	KEY	IDENTIFER	GAGE
1110683005	D	X4 MINISAS 2.0 TO MINISAS HD 2.1	5.0M	0.025M	2'4'6	UNIVERSIAL KEY, SAS	26
1110683007	D	X4 MINISAS 2.0 TO MINISAS HD 2.1	7.0M	0.050M	2'4'6'R3	UNIVERSIAL KEY, SAS 2.0	24
1110683010	D	X4 MINISAS 2.0 TO MINISAS HD 2.1	10.0M	0.150M	2'4'6'R3	UNIVERSIAL KEY, SAS 2.0	24

CLARIFY LABEL INFO
EC NO: USY2012-0498
DRAWN:TPRATT 2011/10/18
CHKD:BREED 2011/10/18
APPR:RMKHAN 2011/12/06

QUALITY SYMBOLS
▽=0
▽=0

GENERAL TOLERANCES (UNLESS SPECIFIED)
mm INCH
4 PLACES ± --- ± ---
3 PLACES ± --- ± ---
2 PLACES ± 0.13 ± ---
1 PLACE ± 0.25 ± ---
ANGULAR ± 2 °

DRAFT WHERE APPLICABLE MUST REMAIN WITHIN DIMENSIONS

DIMENSION STYLE
MM ONLY

DRAWN BY DATE
BREED 2011/03/18

CHECKED BY DATE
RKHAN 2011/03/18

APPROVED BY DATE

MATERIAL NO.
SEE CHART

SIZE C

SCALE 15:1
DESIGN UNITS METRIC
THIRD ANGLE PROJECTION

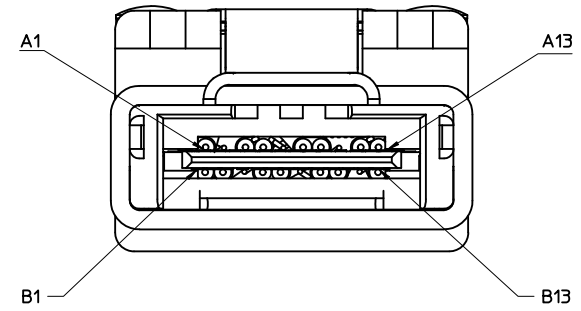
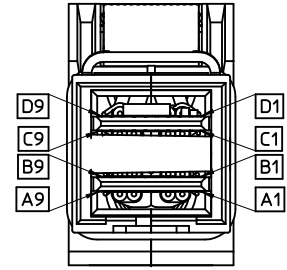
TITLE
MINISAS HD TO MINISAS 4X CABLE ASSEMBLIES EXTERNAL (ELASTOMER EMI)

MOLEX MOLEX INCORPORATED

DOCUMENT NO. SD-111068-3000
SHEET NO. 2 OF 4

THIS DRAWING CONTAINS INFORMATION THAT IS PROPRIETARY TO MOLEX INCORPORATED AND SHOULD NOT BE USED WITHOUT WRITTEN PERMISSION

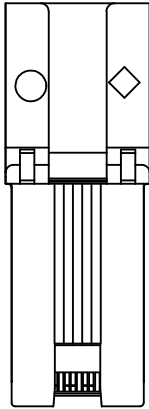
MINISAS HD WIRING CHART			
-P1-		-P2-	
GND	D9	→	A1
Tx2-	D8	→	A9
Tx2+	D7	→	A8
GND	D6	-----	A7
Tx0-	D5	→	A3
Tx0+	D4	→	A2
GND	D3		NC
Vman	D2		NC
Vact	D1		EEPROM
SCL	C1		
SDA	C2		NC
GND	C3	-----	A4
Tx1+	C4	→	A5
Tx1-	C5	→	A6
GND	C6	-----	A10
Tx3+	C7	→	A11
Tx3-	C8	→	A12
GND	C9	-----	A13
GND	B9	-----	B1
Rx2-	B8	←	B9
Rx2+	B7	←	B8
GND	B6	-----	B7
Rx0-	B5	←	B3
Rx0+	B4	←	B2
GND	B3		NC
ModPrst	B2		NC
Vact	B1		NC
Rev	A1		NC
IntL	A2		NC
GND	A3	-----	B4
Rx1+	A4	←	B5
Rx1-	A5	←	B6
GND	A6	-----	B10
Rx3+	A7	←	B11
Rx3-	A8	←	B12
GND	A9	-----	B13



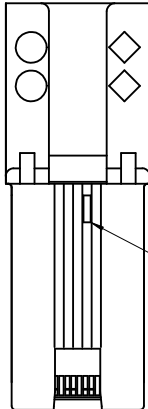
EEPROM CONNECTIONS

- VACT = WRITE PROTECT
- SCL = CLOCK SIGNAL
- SDA = DATA SIGNAL
- GND = GROUND

CLARIFY LABEL INFO EC NO: USY2012-0498 DRWN:TPRATT 2011/10/18 CHKD:BREED 2011/10/18 APPR:RMKHAN 2011/12/06	QUALITY SYMBOLS ▽=0 ▽=0	GENERAL TOLERANCES (UNLESS SPECIFIED) <table border="1"> <tr><th></th><th>mm</th><th>INCH</th></tr> <tr><td>4 PLACES</td><td>± .005</td><td>± .0004</td></tr> <tr><td>3 PLACES</td><td>± .005</td><td>± .0004</td></tr> <tr><td>2 PLACES</td><td>± 0.13</td><td>± .005</td></tr> <tr><td>1 PLACE</td><td>± 0.25</td><td>± .010</td></tr> </table>		mm	INCH	4 PLACES	± .005	± .0004	3 PLACES	± .005	± .0004	2 PLACES	± 0.13	± .005	1 PLACE	± 0.25	± .010	DIMENSION STYLE MM ONLY DRAWN BY DATE BREED 2011/03/18 CHECKED BY DATE RKHAN 2011/03/18 APPROVED BY DATE	SCALE 5:1 DESIGN UNITS METRIC THIRD ANGLE PROJECTION	TITLE MINISAS HD TO MINISAS 4X CABLE ASSEMBLIES EXTERNAL (ELASTOMER EMI) MOLEX INCORPORATED
		mm	INCH																	
	4 PLACES	± .005	± .0004																	
	3 PLACES	± .005	± .0004																	
2 PLACES	± 0.13	± .005																		
1 PLACE	± 0.25	± .010																		
MATERIAL NO. SEE CHART	DOCUMENT NO. SD-111068-3000	SHEET NO. 3 OF 4																		
DRAFT WHERE APPLICABLE MUST REMAIN WITHIN DIMENSIONS			THIS DRAWING CONTAINS INFORMATION THAT IS PROPRIETARY TO MOLEX INCORPORATED AND SHOULD NOT BE USED WITHOUT WRITTEN PERMISSION																	
			SIZE C																	

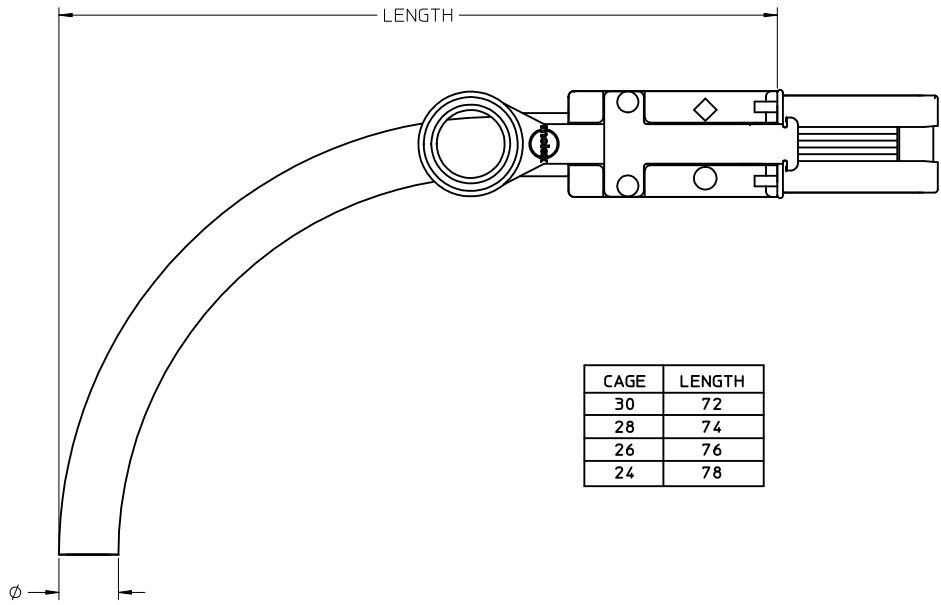


0.5M THRU 6.0M
SAS 1.1 & 2.0



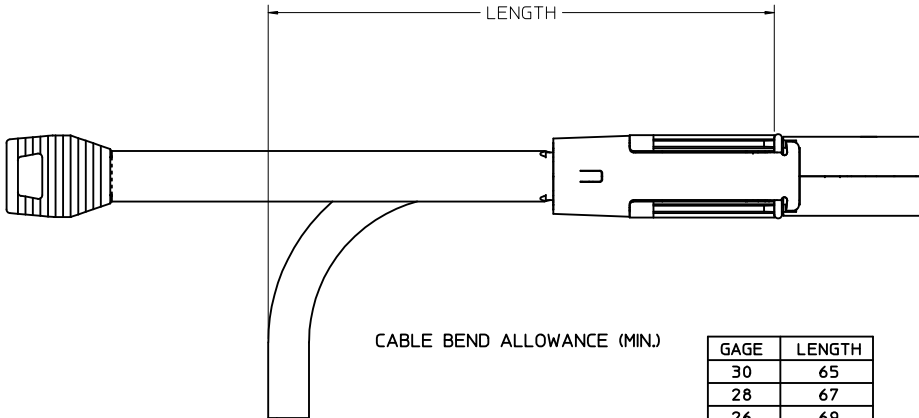
RAISED KEY 3
7.0M THRU 10.0M
SAS 2.0

RAISED KEY 3



CAGE	LENGTH
30	72
28	74
26	76
24	78

UNIVERSAL KEY 2,4,6
SHOWN FOR REF.



CABLE BEND ALLOWANCE (MIN.)

GAGE	LENGTH
30	65
28	67
26	69
24	71

CLARIFY LABEL INFO EC NO: USY2012-0498 2011/10/18 DRAWN:TPRATT 2011/10/18 CHKD:BREED 2011/12/06 APPR:RNKHAN	QUALITY SYMBOLS ▽=0 ▽=0	GENERAL TOLERANCES (UNLESS SPECIFIED)		DIMENSION STYLE MM ONLY	SCALE 1.5:1	DESIGN UNITS METRIC	THIRD ANGLE PROJECTION		
		4 PLACES ± --- ± ---	3 PLACES ± --- ± ---	2 PLACES ± 0.13 ± ---	1 PLACE ± 0.25 ± ---	DRAWN BY BREED	DATE 2011/03/18	TITLE MINISAS HD TO MINISAS 4X CABLE ASSEMBLIES EXTERNAL (ELASTOMER EMI)	
		ANGULAR ± 2 °				CHECKED BY RKHAN	DATE 2011/03/18	MOLEX INCORPORATED	
		DRAFT WHERE APPLICABLE MUST REMAIN WITHIN DIMENSIONS				APPROVED BY SEE CHART	DATE	MATERIAL NO. SD-111068-3000	SHEET NO. 4 OF 4

THIS DRAWING CONTAINS INFORMATION THAT IS PROPRIETARY TO MOLEX INCORPORATED AND SHOULD NOT BE USED WITHOUT WRITTEN PERMISSION