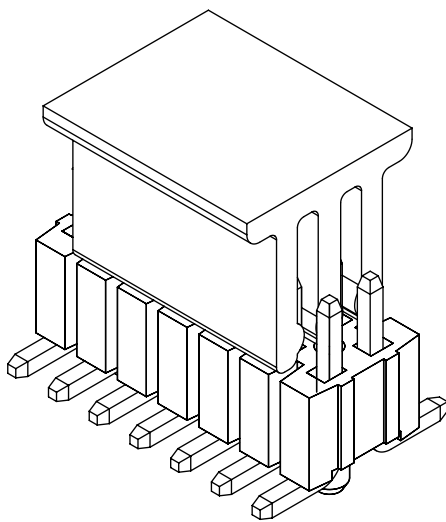
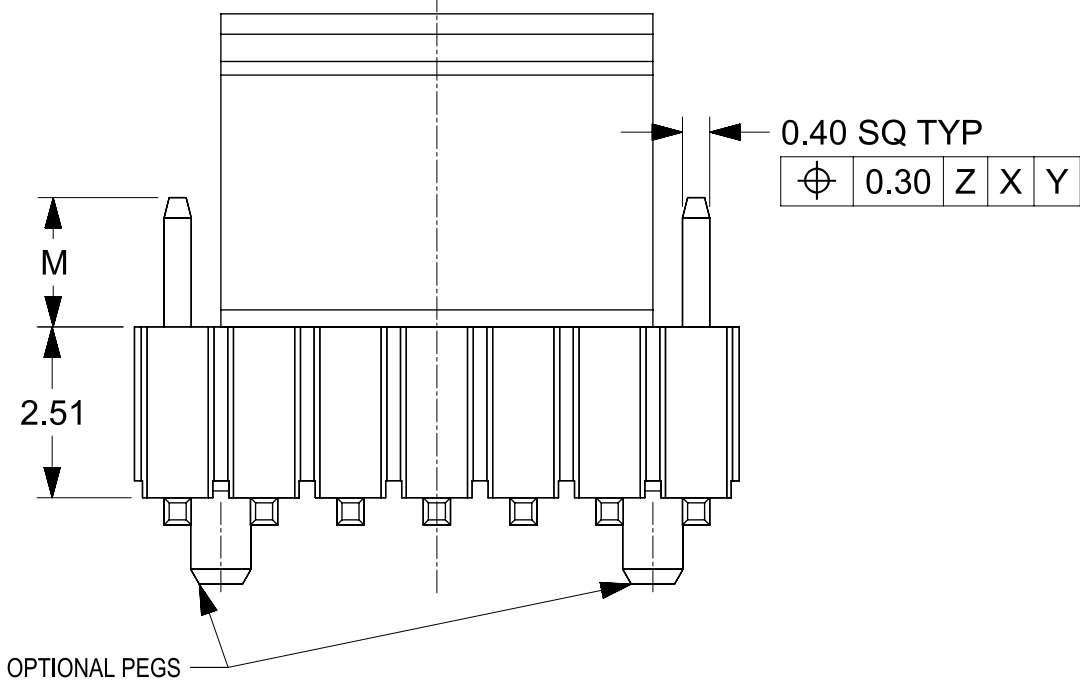
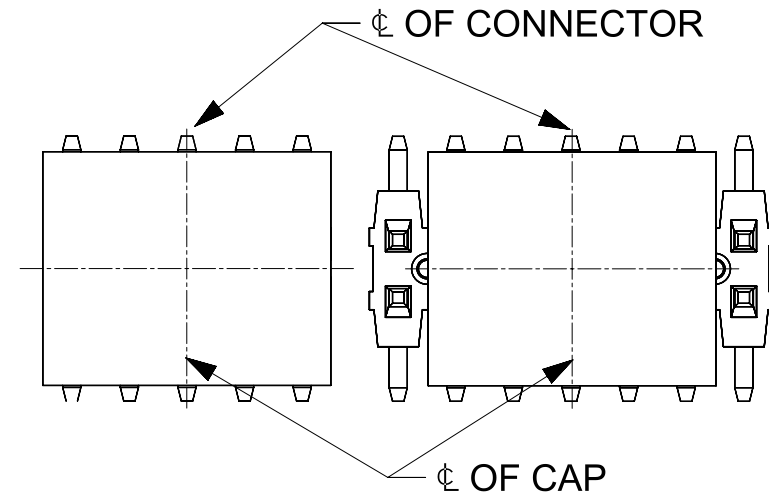


0.40 SQ TYP
 ϕ 0.30 Z X Y

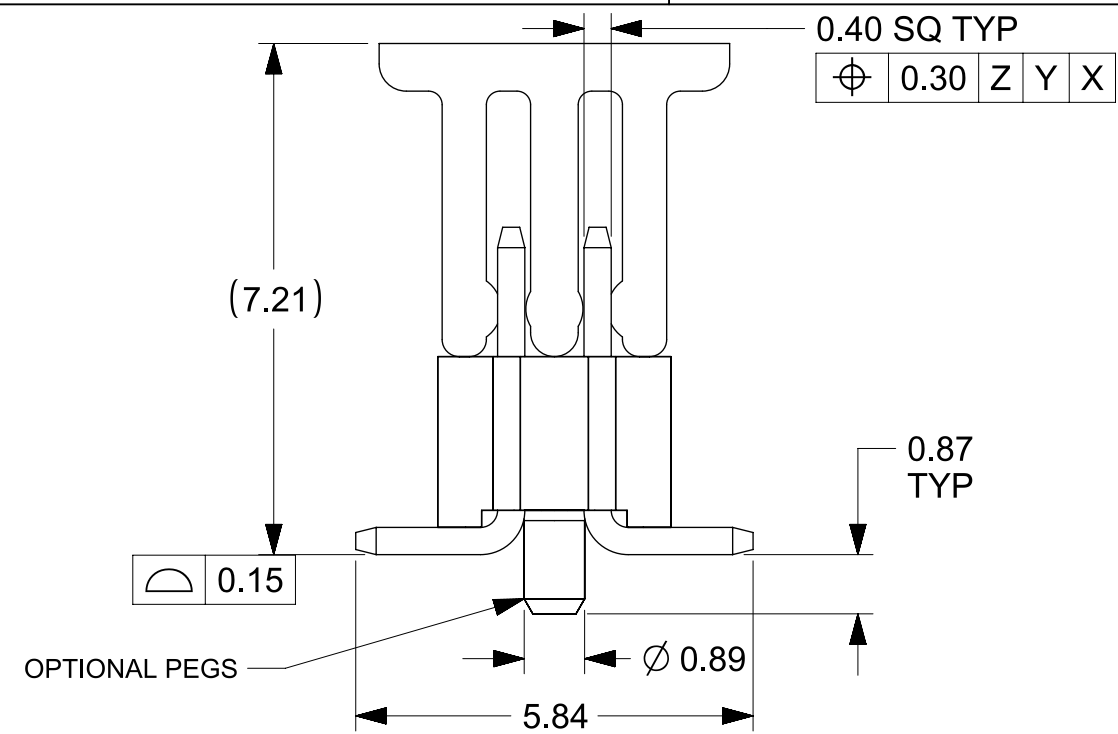
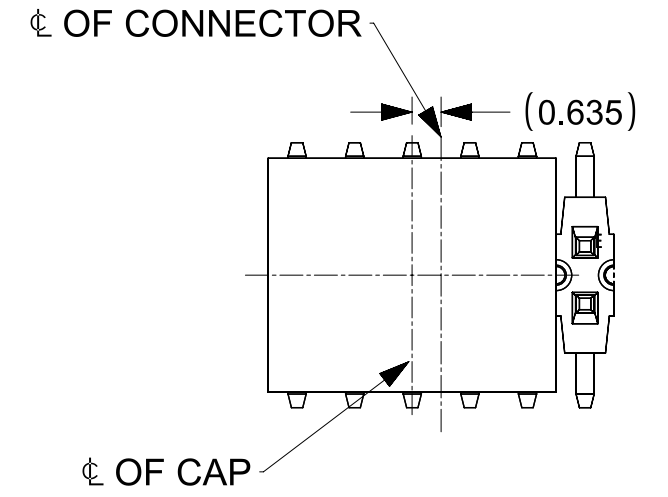


6 CAP POSITION WITH RESPECT TO CONNECTOR

FOR CKT 10 & BELOW & CKT 14, 18, 22, 26, 30, 34, 38, 42, 46, 50, 54, 58, 62, 66, 70, 74, 78, 82, 86, 90, 94, 98

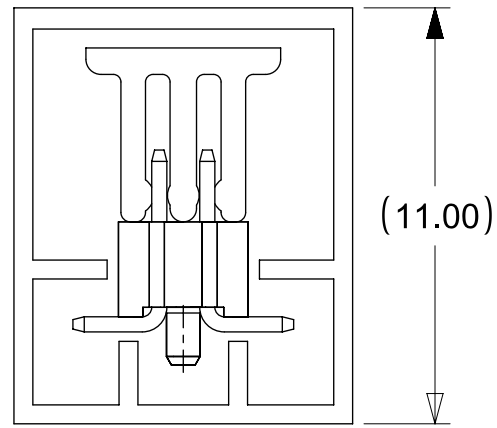
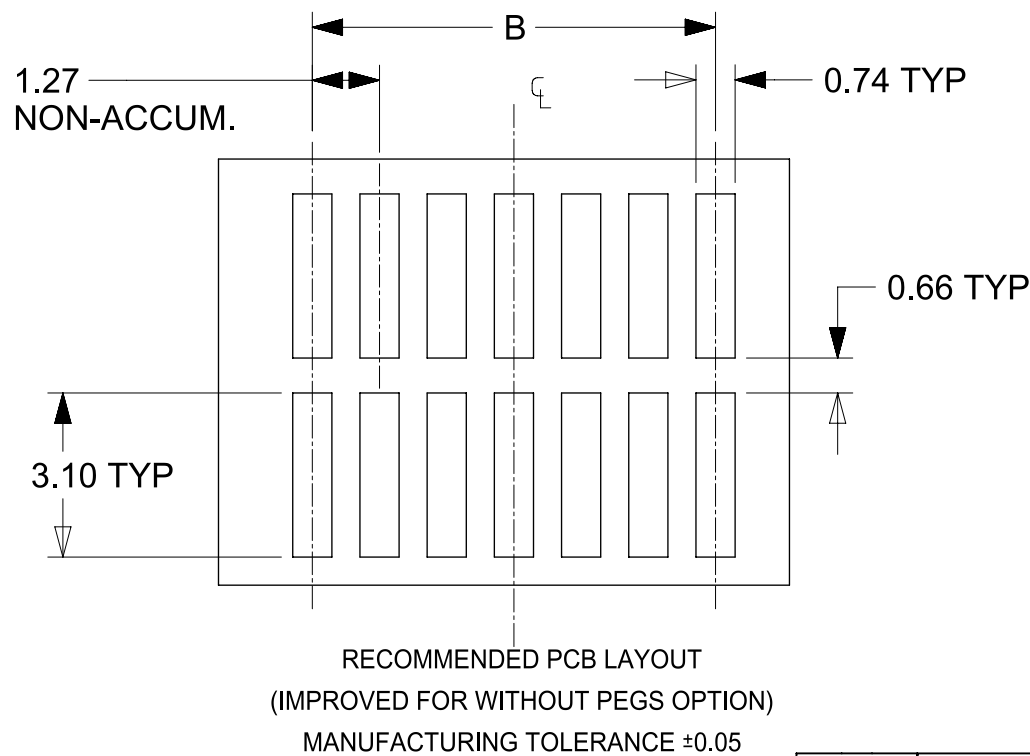
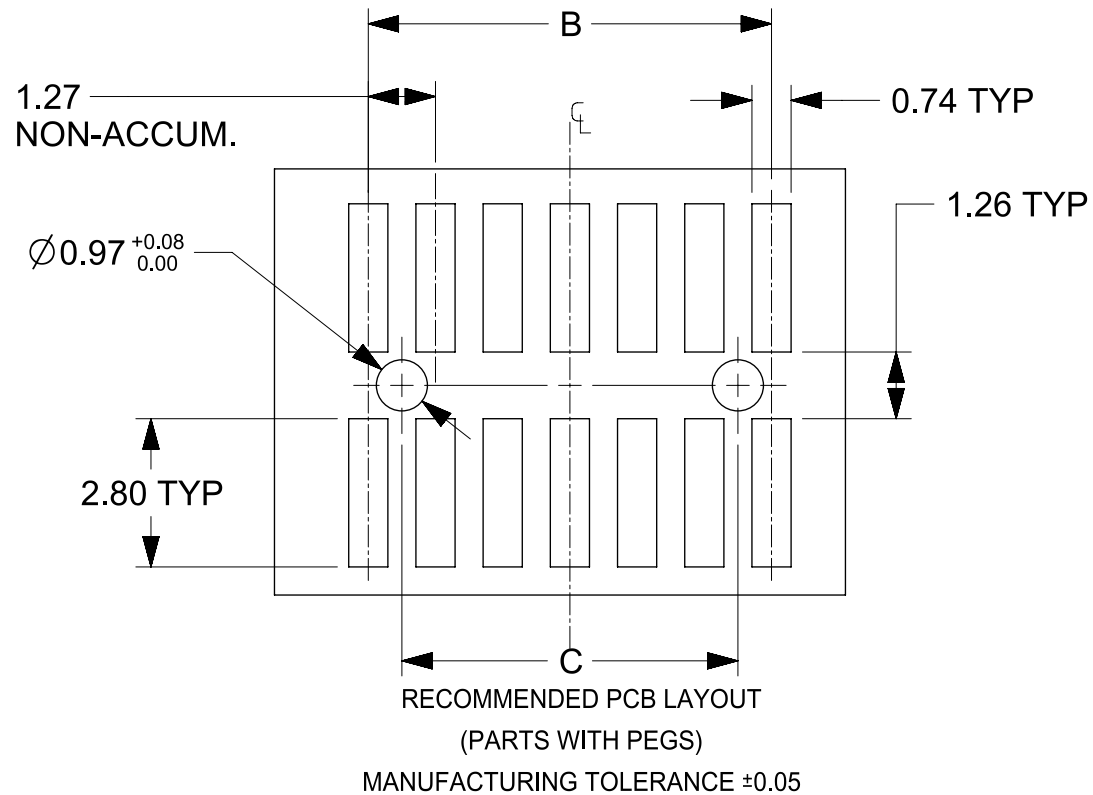


FOR 12, 16, 20, 24, 28, 32, 36, 40, 44, 48, 52, 56, 60, 64, 68, 72, 76, 80, 84, 86, 92, 96, 100

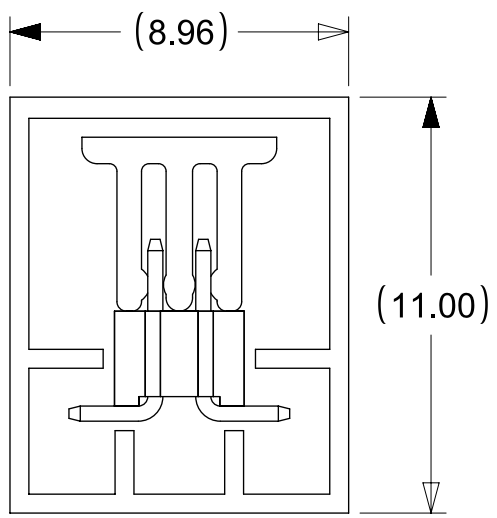


QUALITY SYMBOLS ∇ A = 0 ∇ E = 0 ∇ F = 0 \blacktriangledown = 0 ∇ C = 0 \boxtimes = 0 \blacksquare = 0 ∇ = 0	THIS DRAWING CONTAINS INFORMATION THAT IS PROPRIETARY TO MOLEX ELECTRONIC TECHNOLOGIES, LLC AND SHOULD NOT BE USED WITHOUT WRITTEN PERMISSION											
	SHEET3-5: T&R OPT EC NO: 604497 DRWN: SCHEONG CHK'D: KHLIM REV APPR: KHLIM	2018/02/01		2019/07/26		2019/07/26		GENERAL TOLERANCES (UNLESS SPECIFIED)		DIMENSION UNITS SCALE		
		4 PLACES		±		mm		1:1				
		3 PLACES		±		ANGULAR TOL ± 3.0 °		DRWN BY DATE				
		2 PLACES		± 0.2		SCHEONG 2016/09/14		CHK'D BY DATE				
		1 PLACE		±		GMENARLY 2016/12/16		APPR BY DATE				
	0 PLACES		±		KHLIM 2016/12/19		DRAWING SIZE THIRD ANGLE PROJECTION					
	DRAFT WHERE APPLICABLE MUST REMAIN WITHIN DIMENSIONS					A3				PRODUCT CUSTOMER DRAWING SERIES MATERIAL NUMBER CUSTOMER 87933 SEE TABLE GENERAL MARKET		
	RELEASE STATUS			RELEASE DATE			DOCUMENT NUMBER		DOC TYPE		DOC PART SHEET NUMBER	
							SD-87933-0001		PSD		000 1 OF 5	

CKT SIZE	DIM A	DIM B	DIM C
4	2.54	1.27	-
6	3.81	2.54	-
8	5.08	3.81	-
10	6.35	5.08	3.81
12	7.62	6.35	-
14	8.89	7.62	-
16	10.16	8.89	-
18	11.43	10.16	-
20	12.70	11.43	10.16
22	13.97	12.70	-
24	15.24	13.97	-



PART WITH PEG & CAP
PACKED IN TUBE



PART WITHOUT PEG &
WITH CAP PACKED IN TUBE

NOTE:

- MATERIAL: HOUSING: LCP GLASS FILLED, COLOR: BLACK
TERMINAL: COPPER ALLOY
- PIN PUSHOUT FORCE: 0.4KG MIN. IN EITHER DIRECTION.
- PLATING FINISH:
 - 2 MICRO INCH MIN. GOLD FLASH OVERALL, 50 MICRO INCH MIN. NICKEL UNDERPLATED
 - 100 MICRO INCH MIN. TIN OVERALL, 50 MICRO INCH MIN. NICKEL UNDERPLATED
 - 30 MICRO INCH MIN. GOLD PLATE IN SELECTED AREA AND 80 MICRO INCH MIN. TIN IN SELECTED AREA OVER, 50 MICRO INCH MIN. NICKEL UNDERPLATED
 - 15 MICRO INCH MIN. GOLD PLATE IN SELECTED AREA AND 80 MICRO INCH MIN. TIN IN SELECTED AREA OVER, 50 MICRO INCH MIN. NICKEL UNDERPLATED
 - 2 MICRO INCH MIN. GOLD FLASH IN SELECTED AREA AND 100 MICRO INCH MIN. TIN IN SELECTED AREA OVER, 50 MICRO INCH MIN. NICKEL UNDERPLATED
- THE ABOVE 14 CKT SHOWN IS FOR ILLUSTRATION ONLY.
- PARTS TO BE PACKED IN TUBE EXCEPT FOR 4 CKTS.
- POSITION OF CAP TO BE LOCATED AS SHOWN.
- IRREGULAR CIRCUIT CUTOFF WITHIN BREAKAWAY SECTION IS PERMISSIBLE. CUTTING OR CHIPPING OF THE MAIN BODY IS NOT ACCEPTABLE.
- PACKAGING SPECIFICATION REFER TO
TUBE : PK-89990-565
TAPE & REEL : PK-87933-300
- PRODUCT SPECIFICATION: 879330001_PS
- MATED SERIES: 78120 EXCEPT FOR FULL TIN PLATING FINISH
- PARTS CONFORMS TO CLASS "B" REQUIREMENT TO COSMETIC SPECIFICATION PS-45499-002

THIS DRAWING CONTAINS INFORMATION THAT IS PROPRIETARY TO MOLEX ELECTRONIC TECHNOLOGIES, LLC AND SHOULD NOT BE USED WITHOUT WRITTEN PERMISSION											
QUALITY SYMBOLS	EC NO: 604497 DRWN: SCHEONG CHK'D: KHLIM APPR: KHLIM	GENERAL TOLERANCES (UNLESS SPECIFIED)		DIMENSION UNITS	SCALE						
		ANGULAR TOL ± 3.0 °		mm	NTS						
▽A = 0	SHEET3-5: T&R OPT	4 PLACES ±	DRWN BY	DATE		1.27MM PITCH SMT HEADER WITH CAP PACKED IN TUBE					
▽E = 0		3 PLACES ±	SCHEONG	2016/09/14							
▽F = 0		2 PLACES ± 0.2	CHK'D BY	DATE		PRODUCT CUSTOMER DRAWING					
▽ = 0		1 PLACE ±	GMENARLY	2016/12/16							
▽C = 0		0 PLACES ±	APPR BY	DATE		SERIES: 87933 MATERIAL NUMBER: SEE TABLE CUSTOMER: GENERAL MARKET					
▽ = 0		DRAFT WHERE APPLICABLE MUST REMAIN WITHIN DIMENSIONS		DRAWING SIZE	THIRD ANGLE PROJECTION						
▽ = 0	C	REV APPR: KHLIM		A3			DOCUMENT NUMBER: SD-87933-0001		DOC TYPE: PSD	DOC PART: 000	SHEET NUMBER: 2 OF 5

9		8		7		6		5	
P/N WITH CAP PACKED IN T&R	TOOLED	NOT TOOLED	P/N WITH CAP PACKED IN TUBE	PEG	CKT SIZE	PLATING OPTIONS	DIM. M		
87933-0422		X	-	N	04	1	1.65		
87933-0438		X	-	N	04	2	1.65		
87933-0439		X	-	N	04	3	1.65		
87933-0440		X	-	N	04	4	1.65		
87933-0446		X	-	N	04	5	1.65		
87933-0441		X	-	N	04	1	1.91		
87933-0442		X	-	N	04	2	1.91		
87933-0443		X	-	N	04	3	1.91		
87933-0444		X	-	N	04	4	1.91		
87933-0448		X	-	N	04	5	1.91		
87933-0425		X	-	N	04	1	3.05		
87933-0426		X	-	N	04	2	3.05		
87933-0427		X	-	N	04	3	3.05		
87933-0428		X	-	N	04	4	3.05		
87933-0424		X	-	N	04	5	3.05		
87933-0622	X		87933-0607	N	06	1	1.65		
87933-0638	X		87933-0608	N	06	2	1.65		
87933-0639	X		87933-0609	N	06	3	1.65		
87933-0640	X		87933-0610	N	06	4	1.65		
87933-0646	X		87933-0645	N	06	5	1.65		
87933-0641	X		87933-0611	N	06	1	1.91		
87933-0642	X		87933-0612	N	06	2	1.91		
87933-0643	X		87933-0613	N	06	3	1.91		
87933-0644	X		87933-0614	N	06	4	1.91		
87933-0648	X		87933-0647	N	06	5	1.91		
87933-0625	X		87933-0615	N	06	1	3.05		
87933-0626	X		87933-0616	N	06	2	3.05		
87933-0627	X		87933-0617	N	06	3	3.05		
87933-0628	X		87933-0618	N	06	4	3.05		
87933-0624	X		87933-0623	N	06	5	3.05		
87933-0822		X	87933-0807	N	08	1	1.65		
87933-0838		X	87933-0808	N	08	2	1.65		
87933-0839		X	87933-0809	N	08	3	1.65		
87933-0840		X	87933-0810	N	08	4	1.65		
87933-0846		X	87933-0845	N	08	5	1.65		
87933-0841		X	87933-0811	N	08	1	1.91		
87933-0842		X	87933-0812	N	08	2	1.91		
87933-0843		X	87933-0813	N	08	3	1.91		
87933-0844		X	87933-0814	N	08	4	1.91		
87933-0848		X	87933-0847	N	08	5	1.91		
87933-0825		X	87933-0815	N	08	1	3.05		
87933-0826		X	87933-0816	N	08	2	3.05		
87933-0827		X	87933-0817	N	08	3	3.05		

4		3		2		1	
P/N WITH CAP PACKED IN T&R	TOOLED	NOT TOOLED	P/N WITH CAP PACKED IN TUBE	PEG	CKT SIZE	PLATING OPTIONS	DIM. M
87933-0828		X	87933-0818	N	08	4	3.05
87933-0824		X	87933-0823	N	08	5	3.05
87933-1022	X		87933-1007	N	10	1	1.65
87933-1038	X		87933-1008	N	10	2	1.65
87933-1039	X		87933-1009	N	10	3	1.65
87933-1040	X		87933-1010	N	10	4	1.65
87933-1046	X		87933-1045	N	10	5	1.65
87933-1041	X		87933-1011	N	10	1	1.91
87933-1042	X		87933-1012	N	10	2	1.91
87933-1043	X		87933-1013	N	10	3	1.91
87933-1044	X		87933-1014	N	10	4	1.91
87933-1048	X		87933-1047	N	10	5	1.91
87933-1025	X		87933-1015	N	10	1	3.05
87933-1026	X		87933-1016	N	10	2	3.05
87933-1021	X		87933-1017	N	10	3	3.05
87933-1028	X		87933-1018	N	10	4	3.05
87933-1024	X		87933-1023	N	10	5	3.05
87933-1237		X	87933-1252	N	12	1	1.65
87933-1238		X	87933-1258	N	12	2	1.65
87933-1239		X	87933-1259	N	12	3	1.65
87933-1240		X	87933-1260	N	12	4	1.65
87933-1246		X	87933-1245	N	12	5	1.65
87933-1241		X	87933-1261	N	12	1	1.91
87933-1242		X	87933-1262	N	12	2	1.91
87933-1243		X	87933-1263	N	12	3	1.91
87933-1244		X	87933-1264	N	12	4	1.91
87933-1248		X	87933-1247	N	12	5	1.91
87933-1225		X	87933-1219	N	12	1	3.05
87933-1229		X	87933-1220	N	12	2	3.05
87933-1227		X	87933-1221	N	12	3	3.05
87933-1232		X	87933-1222	N	12	4	3.05
87933-1224		X	87933-1223	N	12	5	3.05

9		8		7		6		5	
P/N WITH CAP PACKED IN T&R	TOOLED	NOT TOOLED	P/N WITH CAP PACKED IN TUBE	PEG	CKT SIZE	PLATING OPTIONS	DIM. M		
87933-0840		X	87933-0810	N	08	4	1.65		
87933-0846		X	87933-0845	N	08	5	1.65		
87933-0841		X	87933-0811	N	08	1	1.91		
87933-0842		X	87933-0812	N	08	2	1.91		
87933-0843		X	87933-0813	N	08	3	1.91		
87933-0844		X	87933-0814	N	08	4	1.91		
87933-0848		X	87933-0847	N	08	5	1.91		
87933-0825		X	87933-0815	N	08	1	3.05		
87933-0826		X	87933-0816	N	08	2	3.05		
87933-0827		X	87933-0817	N	08	3	3.05		

QUALITY SYMBOLS 	THIS DRAWING CONTAINS INFORMATION THAT IS PROPRIETARY TO MOLEX ELECTRONIC TECHNOLOGIES, LLC AND SHOULD NOT BE USED WITHOUT WRITTEN PERMISSION										
	SHEET3-5: T&R OPT EC NO: 604497 DRWN: SCHEONG CHK'D: KHLIM REV APPR: KHLIM	2018/02/01		2019/07/26		2019/07/26		GENERAL TOLERANCES (UNLESS SPECIFIED)		DIMENSION UNITS SCALE	
		mm		NTS		DRWN BY		DATE			
		ANGULAR TOL ± 3.0 °		SCHEONG		2016/09/14					
		4 PLACES ±		CHK'D BY		DATE					
		3 PLACES ±		GMENARLY		2016/12/16					
		2 PLACES ± 0.2		APPR BY		DATE					
		1 PLACE ±		KHLIM		2016/12/19					
		0 PLACES ±		DRAWING SIZE		THIRD ANGLE PROJECTION					
		DRAFT WHERE APPLICABLE MUST REMAIN WITHIN DIMENSIONS		A3							
PRODUCT CUSTOMER DRAWING		SERIES		MATERIAL NUMBER		CUSTOMER					
		87933		SEE TABLE		GENERAL MARKET					
DOCUMENT NUMBER		DOC TYPE		DOC PART		SHEET NUMBER					
SD-87933-0001		PSD		000		3 OF 5					

9	8	7	6	5	4	3	2	1
P/N WITH CAP PACKED IN T&R	TOOLED	NOT TOOLED	P/N WITH CAP PACKED IN TUBE	PEG	CKT SIZE	PLATING OPTIONS	DIM. M	
87933-1422		X	87933-1407	N	14	1	1.65	
87933-1438		X	87933-1408	N	14	2	1.65	
87933-1439		X	87933-1409	N	14	3	1.65	
87933-1440		X	87933-1410	N	14	4	1.65	
87933-1446		X	87933-1445	N	14	5	1.65	
87933-1441		X	87933-1411	N	14	1	1.91	
87933-1442		X	87933-1412	N	14	2	1.91	
87933-1443		X	87933-1413	N	14	3	1.91	
87933-1444		X	87933-1414	N	14	4	1.91	
87933-1448		X	87933-1447	N	14	5	1.91	
87933-1425		X	87933-1415	N	14	1	3.05	
87933-1426		X	87933-1416	N	14	2	3.05	
87933-1427		X	87933-1417	N	14	3	3.05	
87933-1428		X	87933-1418	N	14	4	3.05	
87933-1424		X	87933-1423	N	14	5	3.05	
87933-1622		X	87933-1607	N	16	1	1.65	
87933-1638		X	87933-1608	N	16	2	1.65	
87933-1639		X	87933-1609	N	16	3	1.65	
87933-1640		X	87933-1610	N	16	4	1.65	
87933-1646		X	87933-1645	N	16	5	1.65	
87933-1641		X	87933-1611	N	16	1	1.91	
87933-1642		X	87933-1612	N	16	2	1.91	
87933-1643		X	87933-1613	N	16	3	1.91	
87933-1644		X	87933-1614	N	16	4	1.91	
87933-1648		X	87933-1647	N	16	5	1.91	
87933-1625		X	87933-1615	N	16	1	3.05	
87933-1626		X	87933-1616	N	16	2	3.05	
87933-1627		X	87933-1617	N	16	3	3.05	
87933-1628		X	87933-1618	N	16	4	3.05	
87933-1624		X	87933-1623	N	16	5	3.05	
87933-1822		X	87933-1807	N	18	1	1.65	
87933-1838		X	87933-1808	N	18	2	1.65	
87933-1839		X	87933-1809	N	18	3	1.65	
87933-1840		X	87933-1810	N	18	4	1.65	
87933-1846		X	87933-1845	N	18	5	1.65	
87933-1841		X	87933-1811	N	18	1	1.91	
87933-1842		X	87933-1812	N	18	2	1.91	
87933-1843		X	87933-1813	N	18	3	1.91	
87933-1844		X	87933-1814	N	18	4	1.91	
87933-1848		X	87933-1847	N	18	5	1.91	
87933-1825		X	87933-1815	N	18	1	3.05	
87933-1826		X	87933-1816	N	18	2	3.05	
87933-1827		X	87933-1817	N	18	3	3.05	

9	8	7	6	5	4	3	2	1
P/N WITH CAP PACKED IN T&R	TOOLED	NOT TOOLED	P/N WITH CAP PACKED IN TUBE	PEG	CKT SIZE	PLATING OPTIONS	DIM. M	
87933-1828	X		87933-1818	N	18	4	3.05	
87933-1824	X		87933-1823	N	18	5	3.05	
87933-2037	X		87933-2007	N	20	1	1.65	
87933-2038	X		87933-2008	N	20	2	1.65	
87933-2039	X		87933-2009	N	20	3	1.65	
87933-2040	X		87933-2010	N	20	4	1.65	
87933-2046	X		87933-2045	N	20	5	1.65	
87933-2041	X		87933-2011	N	20	1	1.91	
87933-2042	X		87933-2012	N	20	2	1.91	
87933-2043	X		87933-2013	N	20	3	1.91	
87933-2044	X		87933-2014	N	20	4	1.91	
87933-2048	X		87933-2047	N	20	5	1.91	
87933-2025	X		87933-2015	N	20	1	3.05	
87933-2026	X		87933-2016	N	20	2	3.05	
87933-2027	X		87933-2017	N	20	3	3.05	
87933-2021	X		87933-2018	N	20	4	3.05	
87933-2024	X		87933-2023	N	20	5	3.05	
87933-2237		X	87933-2207	N	22	1	1.65	
87933-2238		X	87933-2208	N	22	2	1.65	
87933-2239		X	87933-2209	N	22	3	1.65	
87933-2240		X	87933-2210	N	22	4	1.65	
87933-2246		X	87933-2245	N	22	5	1.65	
87933-2241		X	87933-2211	N	22	1	1.91	
87933-2242		X	87933-2212	N	22	2	1.91	
87933-2243		X	87933-2213	N	22	3	1.91	
87933-2244		X	87933-2214	N	22	4	1.91	
87933-2248		X	87933-2247	N	22	5	1.91	
87933-2225		X	87933-2215	N	22	1	3.05	
87933-2226		X	87933-2216	N	22	2	3.05	
87933-2227		X	87933-2217	N	22	3	3.05	
87933-2228		X	87933-2218	N	22	4	3.05	
87933-2224		X	87933-2223	N	22	5	3.05	

THIS DRAWING CONTAINS INFORMATION THAT IS PROPRIETARY TO MOLEX ELECTRONIC TECHNOLOGIES, LLC AND SHOULD NOT BE USED WITHOUT WRITTEN PERMISSION										
QUALITY SYMBOLS	= 0	SHEET3-5: T&R OPT	EC NO: 604497	DRWN: SCHEONG	CHK'D: KHLIM	REV APPR: KHLIM	GENERAL TOLERANCES (UNLESS SPECIFIED)		DIMENSION UNITS	SCALE
							ANGULAR TOL ± 3.0 °		mm	NTS
							4 PLACES ±	DRWN BY SCHEONG		DATE 2016/09/14
							3 PLACES ±	CHK'D BY GMENARLY		DATE 2016/12/16
▽ = 0	= 0	= 0	= 0	= 0	= 0	= 0	2 PLACES ± 0.2	APPR BY KHLIM		DATE 2016/12/19
							1 PLACE ±	DRAWING SIZE A3		THIRD ANGLE PROJECTION
☒ = 0	■ = 0	▽ = 0	DRAFT WHERE APPLICABLE MUST REMAIN WITHIN DIMENSIONS				PRODUCT CUSTOMER DRAWING		SERIES 87933 MATERIAL NUMBER SEE TABLE CUSTOMER GENERAL MARKET	
							DOCUMENT NUMBER SD-87933-0001		DOC TYPE PSD	DOC PART 000 SHEET NUMBER 4 OF 5

P/N WITH CAP PACKED IN T&R	TOOLED	NOT TOOLED	P/N WITH CAP PACKED IN TUBE	PEG	CKT SIZE	PLATING OPTIONS	DIM. M
87933-2437		X	87933-2407	N	24	1	1.65
87933-2438		X	87933-2408	N	24	2	1.65
87933-2439		X	87933-2409	N	24	3	1.65
87933-2440		X	87933-2410	N	24	4	1.65
87933-2446		X	87933-2445	N	24	5	1.65
87933-2441		X	87933-2411	N	24	1	1.91
87933-2442		X	87933-2412	N	22	2	1.91
87933-2443		X	87933-2413	N	24	3	1.91
87933-2444		X	87933-2414	N	24	4	1.91
87933-2448		X	87933-2447	N	24	5	1.91
87933-2425		X	87933-2415	N	24	1	3.05
87933-2426		X	87933-2416	N	24	2	3.05
87933-2427		X	87933-2417	N	24	3	3.05
87933-2428		X	87933-2418	N	24	4	3.05
87933-2424		X	87933-2423	N	24	5	3.05

THIS DRAWING CONTAINS INFORMATION THAT IS PROPRIETARY TO MOLEX ELECTRONIC TECHNOLOGIES, LLC AND SHOULD NOT BE USED WITHOUT WRITTEN PERMISSION													
QUALITY SYMBOLS 	SHEET3-5: T&R OPT EC NO: 604497 DRWN: SCHEONG CHK'D: KHLIM REV APPR: KHLIM	GENERAL TOLERANCES (UNLESS SPECIFIED) ANGULAR TOL ± 3.0 °		DIMENSION UNITS mm	SCALE NTS								
		4 PLACES ±	DRWN BY SCHEONG	DATE 2016/09/14	1.27MM PITCH SMT HEADER WITH CAP PACKED IN TUBE								
		3 PLACES ±	CHK'D BY GMENARLY	DATE 2016/12/16							PRODUCT CUSTOMER DRAWING		
		2 PLACES ± 0.2	APPR BY KHLIM	DATE 2016/12/19	SERIES: 87933 MATERIAL NUMBER: SEE TABLE CUSTOMER: GENERAL MARKET								
		1 PLACE ±	DRAFT WHERE APPLICABLE MUST REMAIN WITHIN DIMENSIONS								DRAWING SIZE A3	THIRD ANGLE PROJECTION 	DOCUMENT NUMBER: SD-87933-0001 DOC TYPE: PSD DOC PART: 000 SHEET NUMBER: 5 OF 5
		0 PLACES ±											
		RELEASE STATUS: P1 RELEASE DATE: 2019/07/26 01:54:20											