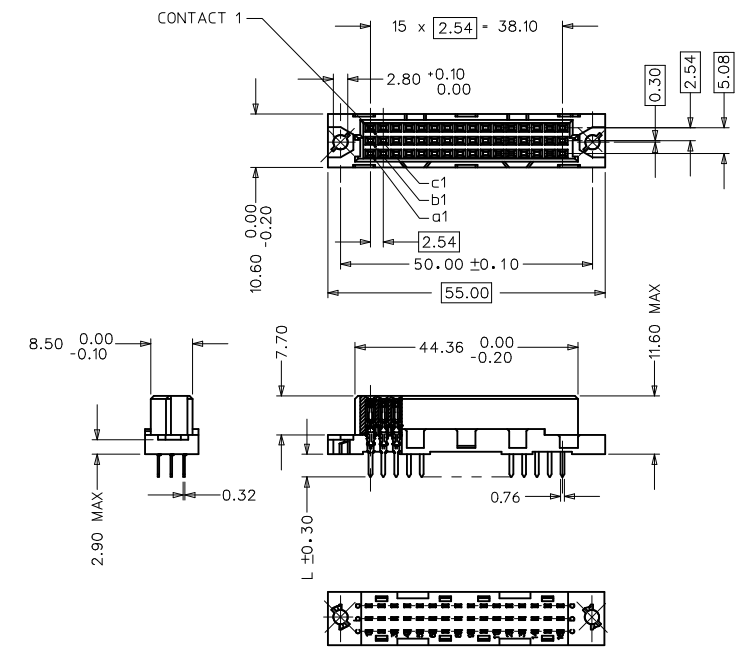
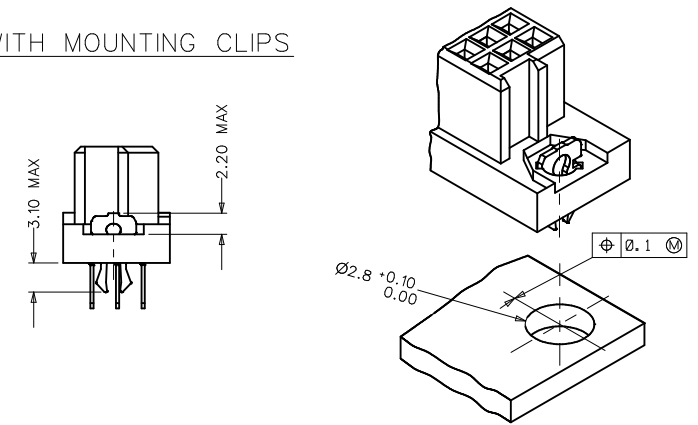


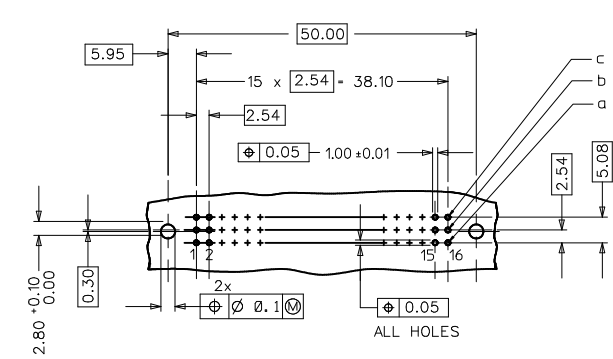
<b>ENTER DESCRIPTION</b> EC NO: 12009-008Z 2008/08/20 DRWNS:J CHKD:KPRASAD 2008/08/25 APPR:KPRASAD 2008/08/26	<b>QUALITY SYMBOLS</b> ▽=0 ▽=0	<b>GENERAL TOLERANCES (UNLESS SPECIFIED)</b>		<b>DIMENSION STYLE</b> MM ONLY	<b>SCALE</b> ---	<b>DESIGN UNITS</b> METRIC	THIRD ANGLE PROJECTION
		4 PLACES ±--- ±--- 3 PLACES ±--- ±--- 2 PLACES ±--- ±--- 1 PLACE ±--- ±--- ANGULAR ±---°	mm INCH ±--- ±--- ±--- ±--- ±--- ±--- ±--- ±---	DRAWN BY SUMESH 2008/08/13	DATE 2008/08/13	TITLE 48 POS. FEMALE CONNECTOR DIN 41612, STYLE C/2 DIMENSIONS	<b>MOLEX INCORPORATED</b>
<b>DRAFT WHERE APPLICABLE MUST REMAIN WITHIN DIMENSIONS</b>	MATERIAL NO. 850426115	APPROVED BY KPRASAD 2008/08/13	DATE 2008/08/13	DOCUMENT NO. SD-85042-0002	SHEET NO. 1 OF 1		
SIZE A2		THIS DRAWING CONTAINS INFORMATION THAT IS PROPRIETARY TO MOLEX INCORPORATED AND SHOULD NOT BE USED WITHOUT WRITTEN PERMISSION					



WITH MOUNTING CLIPS



RECOMMENDED PCB LAYOUT  
COMPONENT SIDE



- NOTES:
- 1) MATERIALS: THERMOPLASTIC POLYESTER, GLASS FILLED, UL94V-0, COLOUR: PEBBLE GREY RAL 7032  
TERMINAL - PHOSPHOR BRONZE  
MOUNTING CLIP: STEEL
  - 2) FINISH: TERMINAL:-  
CONTACT AREA:  
1. PERFORMANCE LEVEL 1: SELECTIVE GOLD (Au), THICKNESS = 1.1 MICROMETER OVER NICKEL, THICKNESS = 1.5 MICROMETER  
2. PERFORMANCE LEVEL 2: SELECTIVE GOLD (Au), THICKNESS = 0.6 MICROMETER OVER NICKEL, THICKNESS = 1.5 MICROMETER  
3. PERFORMANCE LEVEL 3: SELECTIVE GOLD (Au), THICKNESS = 0.3 MICROMETER OVER NICKEL, THICKNESS = 1.5 MICROMETER  
TERMINATION AREA:  
SELECTIVE TIN, THICKNESS = 5 MICROMETER OVER NICKEL, THICKNESS = 1.5 MICROMETER OVERALL
  - 3) MOUNTING CLIP:-  
TIN (Sn), THICKNESS = 5-10 MICROMETER, OVER NICKEL (Ni), THICKNESS = 2.5 MICROMETER
  - 4) FOR NON MOUNTING CLIP OPTION, CONNECTOR TO BE SECURED WITH RIVETS: 2 TUBULAR RIVETS 2.5 x 0.3 ... DIN 7340  
SCREWS: 2 CHEESEHEAD SCREWS M2.5 x .... DIN 84 AND 2 HEXAGONAL NUTS M2.5 DIN 934
  - 5) MATERIAL No, BATCH CODE, UL AND CSA MARKING TO BE PRINTED ON THE CONNECTOR.
  - 6) CUT FACES OF TIP WITHOUT PLATING PERMITTED.
  - 7) PRODUCT SPECIFICATION PS-85042-0001

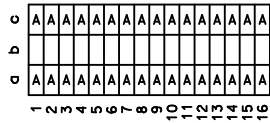
RoHS COMPLIANT

<b>ENTER DESCRIPTION</b> EC NO: 2070-0293 2009/12/04 DR/WR/KR/KUMAR 2010/01/27 CH/KD/KPRASAD 2010/03/11 APPR/KPRASAD	<b>QUALITY SYMBOLS</b> ▽=0 ▽=0 <b>DESCRIPTION</b> B1	<b>GENERAL TOLERANCES (UNLESS SPECIFIED)</b> mm    INCH		<b>DIMENSION STYLE</b> MM ONLY		SCALE 1:1	DESIGN UNITS METRIC	THIRD ANGLE PROJECTION		
		4 PLACES ± --- ± ---	3 PLACES ± 0.005 ± ---	2 PLACES ± 0.1 ± ---	1 PLACE ± 0.15 ± ---	DRAWN BY SHANKAR 2006/04/25	DATE 2006/04/25	TITLE <b>ASSY DIN41612 C/2 FEMALE          48 POS 1.0MM PCB DIA</b>		
		ANGULAR ± 2 °		APPROVED BY SSUDHIR 2006/04/25		DATE 2006/04/25		Molex <b>MOLEX INCORPORATED</b>		
		DRAFT WHERE APPLICABLE MUST REMAIN WITHIN DIMENSIONS				MATERIAL NO. <b>SEE SHEET 2</b>		DOCUMENT NO. SD-85042-002	SHEET NO. 1 OF 2	

THIS DRAWING CONTAINS INFORMATION THAT IS PROPRIETARY TO MOLEX INCORPORATED AND SHOULD NOT BE USED WITHOUT WRITTEN PERMISSION

MATERIAL No	MOLEX ENG No	PERF LEVEL	PLATING	CONTACT SEQUENCE/ROW	DIM "L" mm	MOUNTING CLIP	FLUX PROOF
850424294	85042-4294	2	Au+Ni	1.2.3....16 a+b+c	2.9	YES	NO
850429025	85042-9025	2	Au+Ni	1.2.3....16 a+b+c	4.5	YES	NO
850420048	85042-0048	2	Au+Ni	1.2.3....16 a+c	4.5	NO	NO
850420086	85042-0086	2	Au+Ni	1.2.3....16 a+b+c	4.5	NO	NO
850421184	85042-1184	1	Au+Ni	1.2.3....16 a+b+c	2.9	NO	YES
850421330	85042-1330	1	Au+Ni	1.2.3....16 a+b+c	4.5	NO	NO
850424268	85042-4268	2	Au+Ni	1.2.3....16 a+b+c	2.9	NO	NO
850424282	85042-4282	2	Au+Ni	1.2.3....16 a+c	2.9	YES	NO
850426098	85042-6098	3	Au+Ni	1.2.3....16 a+b+c	2.9	NO	NO
850429022	85042-9022	2	Au+Ni	1.2.3....16 a+c	2.9	YES	NO

View on mating side



View on mating side



RoHS COMPLIANT

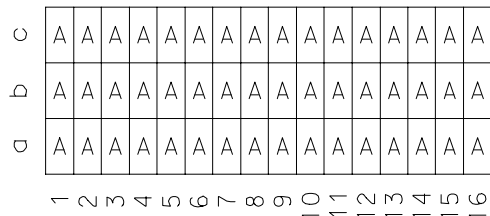
<b>ENTER DESCRIPTION</b> IEC NO: 2090-0293 2009/12/04 DRAWN BY: DRWINRUKUMAR 2010/01/27 CHKDR PRASAD 2010/03/11 APPR: PRASAD	<b>QUALITY SYMBOLS</b>  	<b>GENERAL TOLERANCES (UNLESS SPECIFIED)</b>		<b>DIMENSION STYLE</b> <b>MM ONLY</b>	SCALE ---	DESIGN UNITS <b>METRIC</b>	<b>THIRD ANGLE PROJECTION</b>
		4 PLACES ±--- ±--- 3 PLACES ±--- ±--- 2 PLACES ±--- ±--- 1 PLACE ±--- ±---	mm    INCH	DRAWN BY    DATE SHANKAR    2006/04/25	TITLE <b>ASSY DIN41612 C/2 FEMALE          48 POS 1.0MM PCB DIA</b>		
		DRAFT WHERE APPLICABLE MUST REMAIN WITHIN DIMENSIONS	<b>SEE CHART</b>	CHECKED BY    DATE SSUDHIR    2006/04/25	APPROVED BY    DATE SSUDHIR    2006/04/25		
		MATERIAL NO.	DOCUMENT NO. <b>SD-85042-002</b>	SHEET NO. <b>2 OF 2</b>	<b>MOLEX INCORPORATED</b>		

7 6 5 4 3 2 1

E

E

View on mating side



D

D

A = 48 standard contacts L=2,9

C

C

Marking	Standard
Performance level	G3/0= Contact area Level3 / Termination Tin
Flux proof	no
Fixing clip	no
Dimensions	SD-36501-0001 Sht 1
Technical Data	PS-36500-001

B

B

A	G3/0	a1-I6	b1-I6	c1-I6
Contact symbol	Perform. level	Contact position number		

A

A

EC NO: I2006-0283 DRWN:SSUDHIR 2005/11/19 CHKD:KPRASAD 2005/11/21 APPR:KPRASAD 2005/11/21	QUALITY SYMBOLS =0 =0.05	GENERAL TOLERANCES (UNLESS SPECIFIED)		DIMENSION STYLE MM ONLY		SCALE ---	DESIGN UNITS METRIC	THIRD ANGLE PROJECTION	
			mm	INCH	DRAWN BY SSUDHIR	DATE 2005/10/19	TITLE 48 POS FEMALE CONNECTOR DIN 41612, STYLE C/2 CONTACTS ARRANGEMENT		
		4 PLACES	±---	±---	CHECKED BY KPRASAD	DATE 2005/10/19			
		3 PLACES	±---	±---	APPROVED BY KPRASAD	DATE 2005/10/19	MOLEX INCORPORATED		
2 PLACES	±---	±---	MATERIAL NO. 85042-6098		DOCUMENT NO. SD-85042-6098	SHEET NO. 1 OF 1			
1 PLACE	±---	±---	DRAFT WHERE APPLICABLE MUST REMAIN WITHIN DIMENSIONS		THIS DRAWING CONTAINS INFORMATION THAT IS PROPRIETARY TO MOLEX INCORPORATED AND SHOULD NOT BE USED WITHOUT WRITTEN PERMISSION				
ANGULAR ±---°									

6

5

4

3

2

1