



Model number

WCS2-MH1

Rail bracket with screwed connection

Features

- Profile rail simply snap-on

Matching system components

WCS2-PS1

WCS2 profile rail

WCS3-GT09-P1-O

WCS3 guiding trolley for the WCS3B read head with protective enclosure, outdoor use

WCS2-GT09-P1

WCS2 guiding trolley

WCS-MF1

Wrist strap

WCS2-MC1

Butt connector, aluminum

WCS2-LB1

WCS2 locking bracket

WCS2-PS1-8FT

WCS2 profile rail

WCS2-PS1-2,5M

WCS2 profile rail

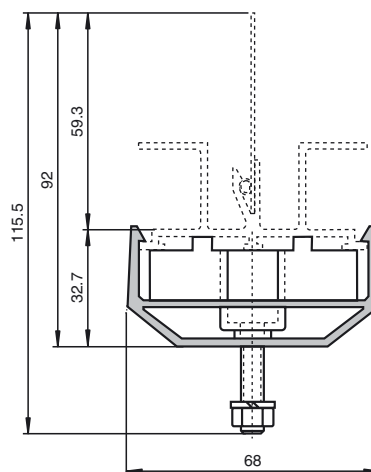
WCS2-PS1-C

WCS2 profile rail, coated

WCS2-PS1-C-2,5M

WCS2 profile rail, coated

Dimensions



Technical data

Mechanical specifications

Material	Polyamide (PA)
Mass	20 g

Notes

Rail holders, into which the profile rail is clipped, are available for rapid installation of the aluminium profile rail. The rail holders are available in three different versions.

The screw-on holder WCSx-MH1 is bolted to the substructure, the holder for fitting in a C profile WCSx-MH2 is designed for installation in a C profile rail (30 mm x 32 mm). The holder WCSx-MH comes without any mounting elements.