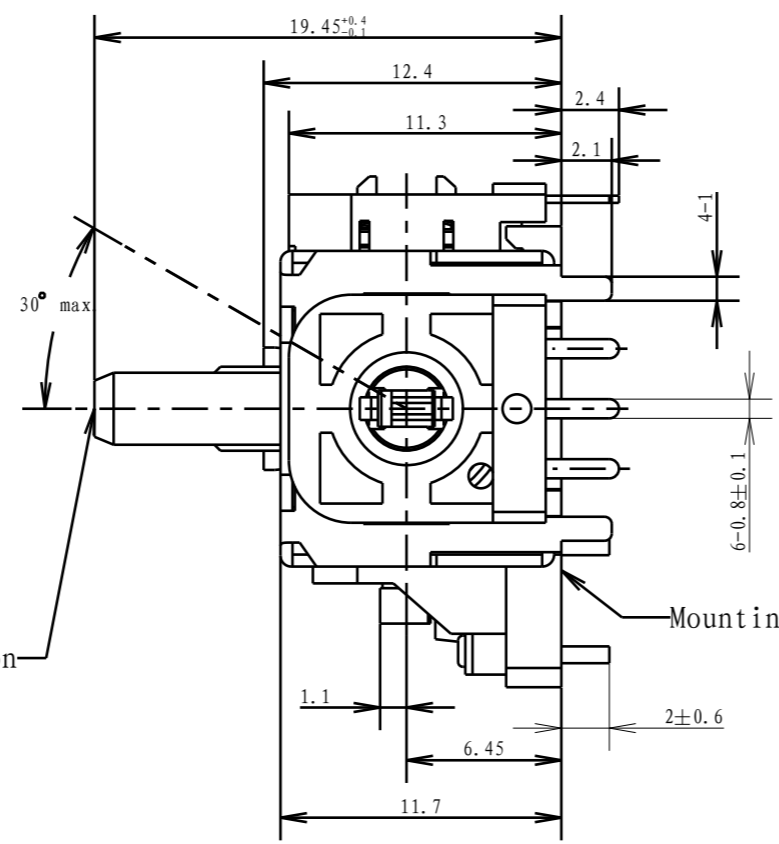
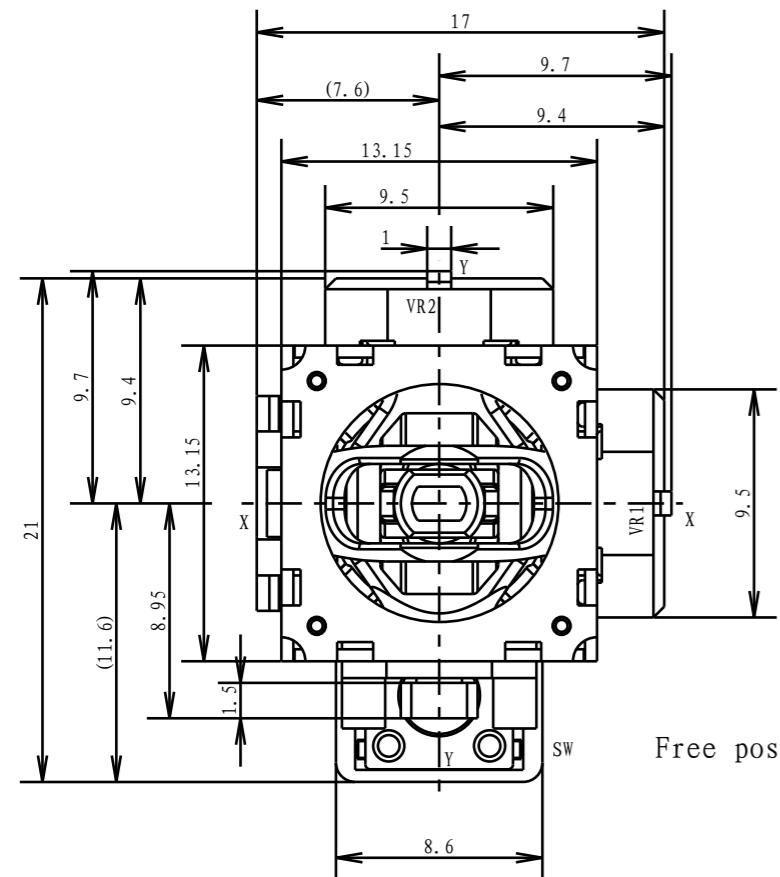
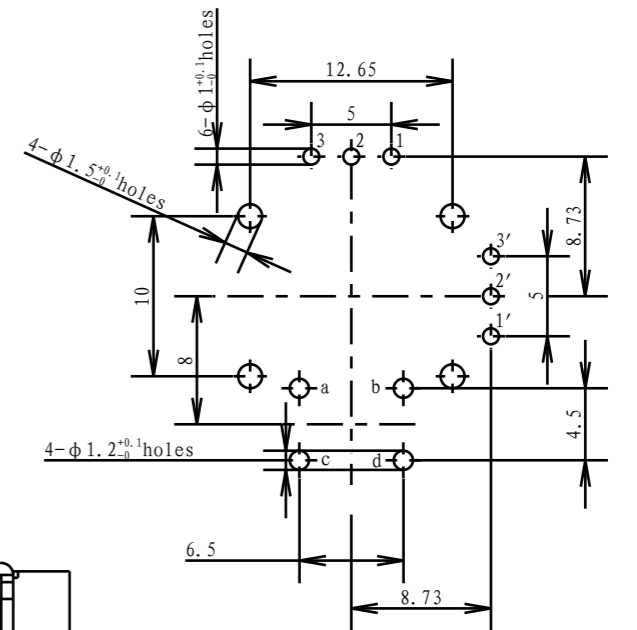
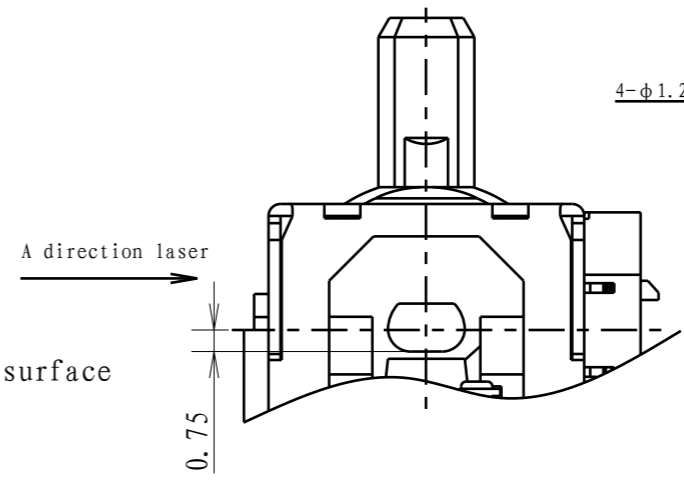


1



Year 1915 Week
C&K
 A direction laser skematic diagram

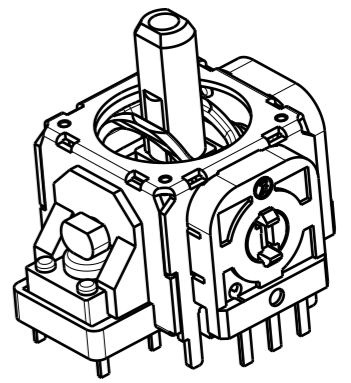
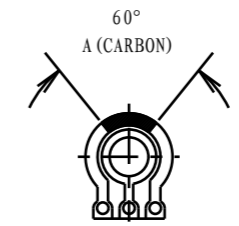
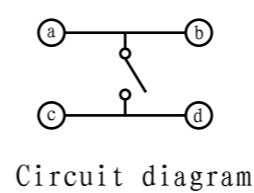


PCB installation holes
 Unspecified dimension tolerance: ±0.1

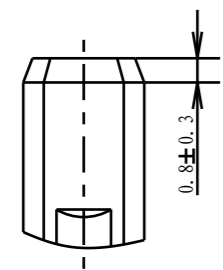
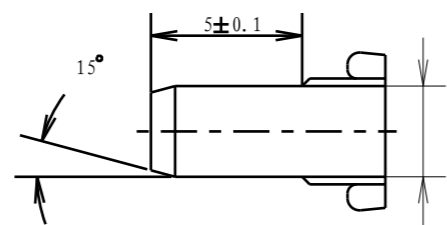
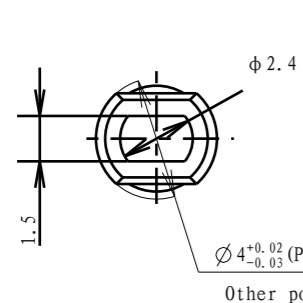
2

Free position

Mounting surface



3



Rocker head dimension (4:1)

3+0.02/-0.05 (Position from top to 0.8mm)
 Other position: 3+0.02/-0.1

摇杆规格 Lever Specifications

摇杆有效角度 Operation Angle of Lever	26° Max
摇杆操作力 Operation Force of Lever	12 ± 5 mN*m
全阻值 Total Resistance	10K ± 20%
额定电压 Rated Voltage	AC 50V, DC 5V (Linear Typer B)
额定功率 Rated Power	0.0125W (Linear Typer B)
抗电强度 Dielectric Voltage	AC 250 V(50 HZ) 60 Sec.
绝缘阻抗值 Insulation Resistance	DC 250V 60 Sec. 100 MΩ Min
机械寿命 Operating Life without Load	2,000,000 Cycles

开关规格 Swtich Specifications

额定电压 Rated Voltage	12V DC 50 mA Max
初期接触电阻 Initial Contact Resistance	100 mΩ Max
绝缘电阻 Insulation Resistance	DC 100 V 60 Sec. 100 MΩ Min
抗电强度 Dielectric Voltage	AC 250 V(50 HZ) 60 Sec.
操作力 Operating Force	7 ± 2 N
差程 Differential Motion	0.55+0.5/-0.4 mm
负荷寿命 Operating Life without Load	1,000,000 Cycles

CONFIDENTIAL. This document and the information in it is the exclusive property of C&K and is not to be used or disclose without the express written permission of C&K.

A	/	First Release.	08/20/19	Mark
Rev.	ECX	Description	Date	Sign

Unspecified tolerance	
< 10	±0.3
10~100	±0.5
> 100	±0.8
Angle	±5°

CREATED BY Mark.ma	DATE - MM/DD/YY 08/20/19	CRITICAL CHARACTERISTICS (CC) : VARIATION COULD AFFECT PRODUCT SAFETY OR COMPLIANCE WITH GOVERNMENT REGULATIONS	SURFACE FINISH Ra : LINEAR TOLERANCE ± ANGULAR TOLERANCE ±°
APPROVED BY Gavin Xu	DATE - MM/DD/YY 2019/08/20		
DESCRIPTION THB001P		PROJECTION 	C&K HUIZHOU
		STATE	
		SCALE: 3:1 SIZE: A3 SHEET: 1/1	
		REPLACE :	REV. P01
		GSTHB0001	