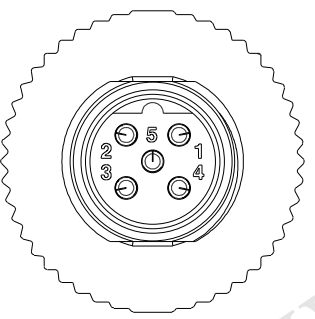
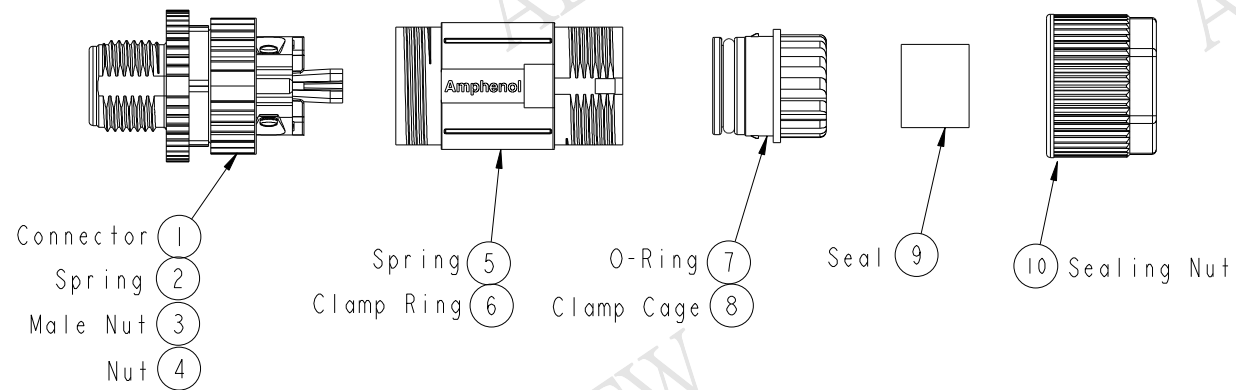
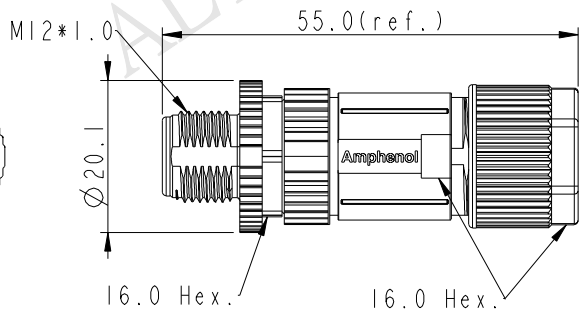


REV.	ECN NO.	DATE	SIGN	DESCRIPTION
A	Initial Release	2015/10/13	Mila	Change Rev. I To Rev.A

ALTW  
CONFIDENTIAL  
2015-10-13  
R&D DEPT.



Pin Assignments  
Front View



ALTW  
DCC. DEPT.  
CONFIDENTIAL  
2015.10.28  
ISSUED

UNIT:mm  
TOLERANCE  
±0.5mm

TITLE M12 B-Code Shielded Assy 5PIN M Conn. M Pin			
SCALE 1:1	SIZE A4	SHEET 1 OF 2	
REV. A	WC-REV. A.3	QC: Inspection item	

**Amphenol LTW**  
安費諾亮泰企業股份有限公司

ITEM NO. MSBS-05BMMB-SL7001	DRAWN BY Mila	DATE 2015-10-13
DWG NO. MSBS-05BMMB-SL7001	CHECKED BY Cary	DATE 2015-10-13
CUSTOMER ALTW	APPROVED BY Jerry	DATE 2015-10-13

THIS DOCUMENT IS SUBJECT TO CHANGE WITHOUT NOTICE. IT IS CONFIDENTIAL AND A PROPERTY OF Amphenol LTW. DISCLOSURE TO THIRD PARTY HAS TO BE AUTHORIZED BY Amphenol LTW.

M SBS - 05 B M M B - S L 7 001

SBS: B-Code Shielded

05: 5Pin

B: Without S/R(無網尾)

M: Male Connector(公座)

M: Male Pin(公Pin)

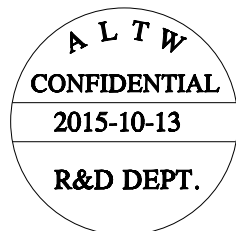
001: Without Cable

7: IP67(防水等級67)

L: Straight(180°)

S: Screw(螺紋式)

B: Screw in Type(組裝式)



Note:

- \*  $\text{\textcircled{C}}$  Important Dimension To Check.
- \* Waterproof Rate: IP67
- \* Housing: Nylon, Black
- \* Clamp Cage: Nylon, Black
- \* Male Pin: Copper Alloy, Gold Plated
- \* Male Nut: Zinc Alloy, Nickel Plated
- \* Nut: Zinc Alloy, Nickel Plated
- \* O-Ring: Silicon, Grey
- \* Clamp Ring: Zinc Alloy, Nickel Plated
- \* Sealing Nut: Zinc Alloy, Nickel Plated
- \* Seal: Silicon, Grey
- \* Seal For Cable OD:  $\varnothing 4.0\text{mm} \sim \varnothing 7.5\text{mm}$
- \* Screws for Wire connection recommended tightening torque: 0.61~0.84 kgf.cm / 0.059~0.082 N.m
- \* Applicable Wire gauge (Stranded wire cross section) 0.14mm<sup>2</sup> (26AWG) ~ 0.82mm<sup>2</sup> (18AWG)
- \* Mating Recommended tightening torque: 3~4 kgf.cm / 0.29~0.39 N.m
- \* Sealing-Nut Recommended tightening torque: 4~6 kgf.cm / 0.39~0.59 N.m
- \* Detailed applicable wire specifications may vary depending on the actual wire construction.

UNIT: mm		TITLE		ITEM NO		DRAWN BY		DATE	
		MI2 B-Code Shielded Assy 5PIN M Conn. M Pin		MSBS-05BMMB-SL7001		Mila		2015-10-13	
		SCALE	SIZE	SHEET	DWG NO	CHECKED BY	DATE		
TOLERANCE	1:1	A4	2 OF 2	MSBS-05BMMB-SL7001	Cary	2015-10-13			
±0.5mm	REV.	WC-REV.	$\text{\textcircled{C}}$ : Inspection item	CUSTOMER	APPROVED BY	DATE			
	A	A.3		ALTW	Jerry	2015-10-13			

**Amphenol LTW**  
安費諾亮泰企業股份有限公司