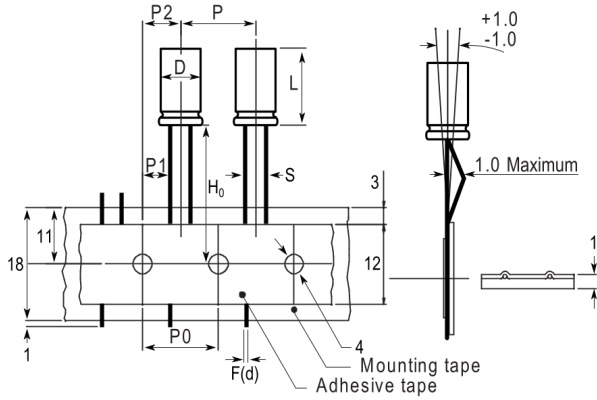


Straight Leads Diameter > 8  
Lead and packaging code EA and KA



Note: '(d)' correspond to the letters used in the product bulletin

Click [here](#) for the 3D model.

### Dimensions

D	10mm +/-0.5mm
L	15mm +2mm
S	5mm +/-0.5mm
LL Negative	15mm MIN
LL Positive	20mm MIN
F	0.6mm NOM

### Packaging Specifications

Packaging	T&R
Packaging Quantity	600

### General Information

Series	ESC
Dielectric	Aluminum Electrolytic
Description	LowESR Single Ended Aluminum Electrolytic
Features	Low ESR
RoHS	Yes
Lead	Wire Leads
AEC-Q200	No

### Specifications

Capacitance	120 uF
Capacitance Tolerance	20%
Voltage DC	63 VDC, 79 VDC (Surge)
Temperature Range	-40/+105°C
Rated Temperature	105°C
Life	3000 Hrs
Dissipation Factor	8%
Resistance	0.3 Ohms (100kHz)
Ripple Current	800 mAmps (100kHz 105C)
Leakage Current	75.6 uA (2min 20°C)
Impedance Ratio at -25C	2
Impedance Ratio at -40C	4