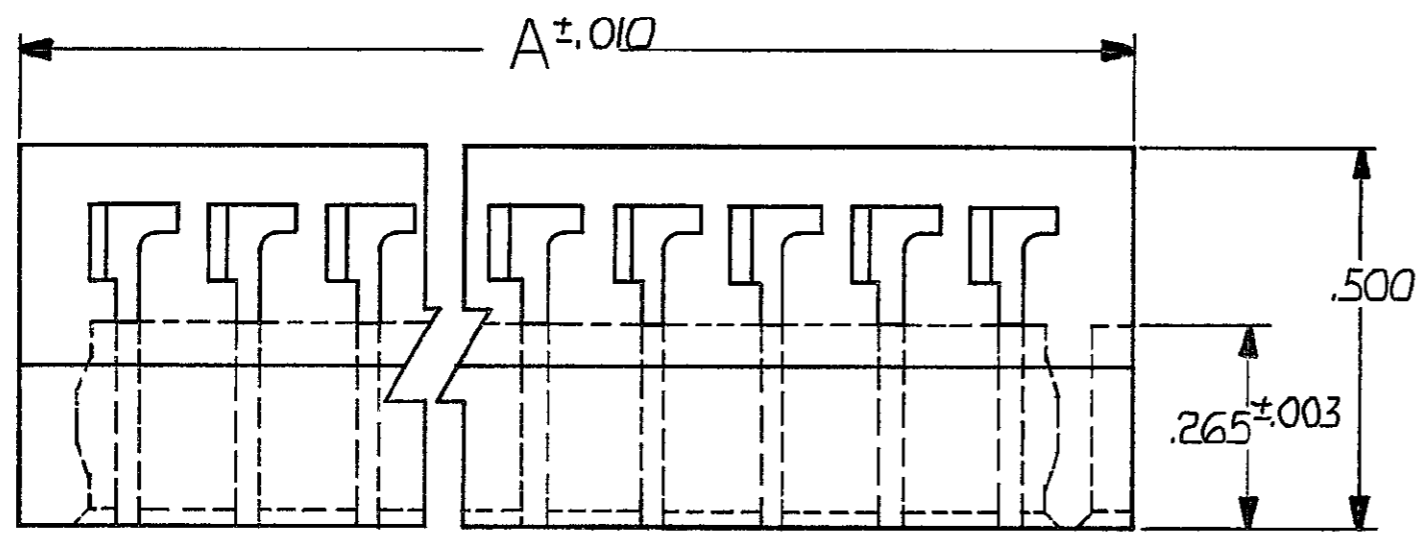


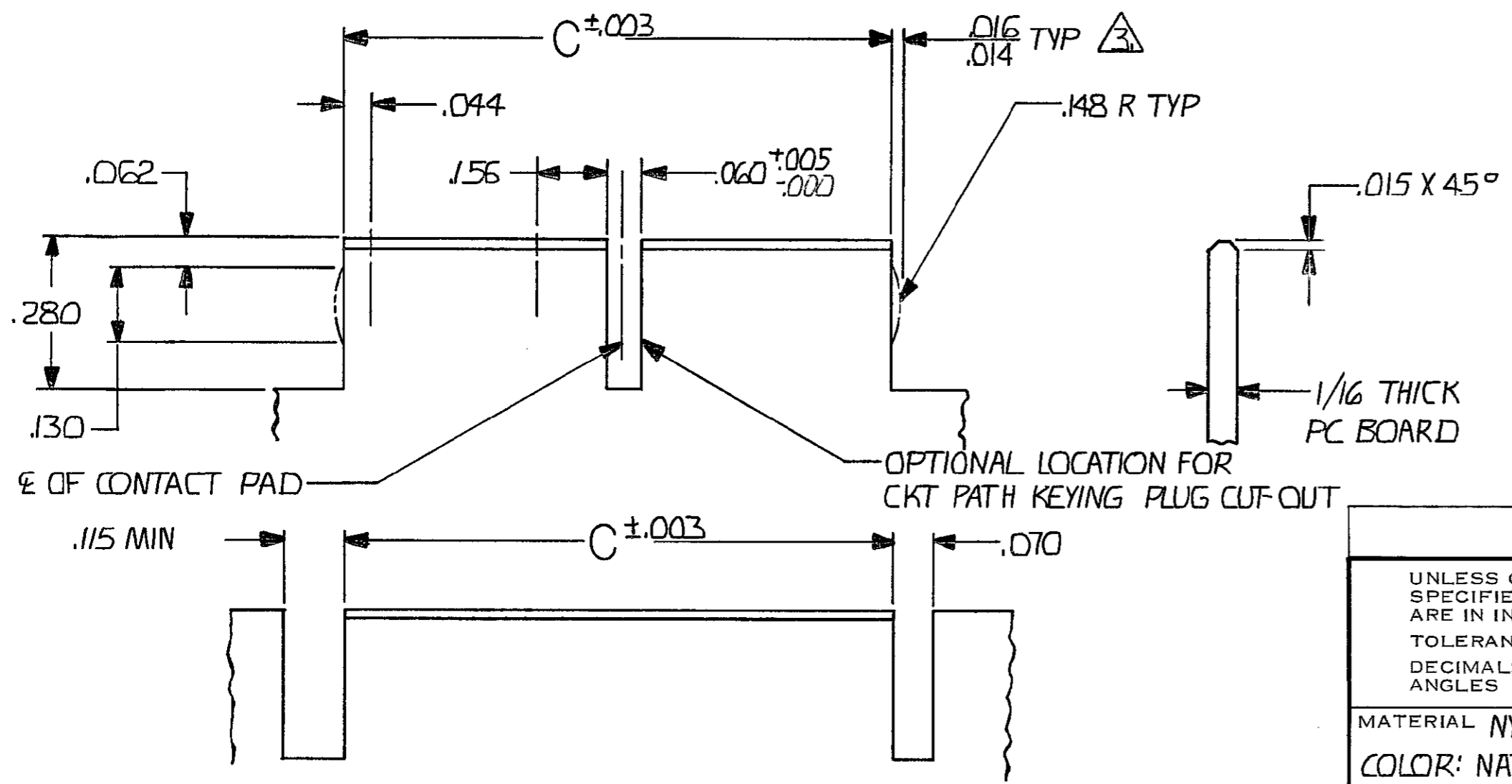
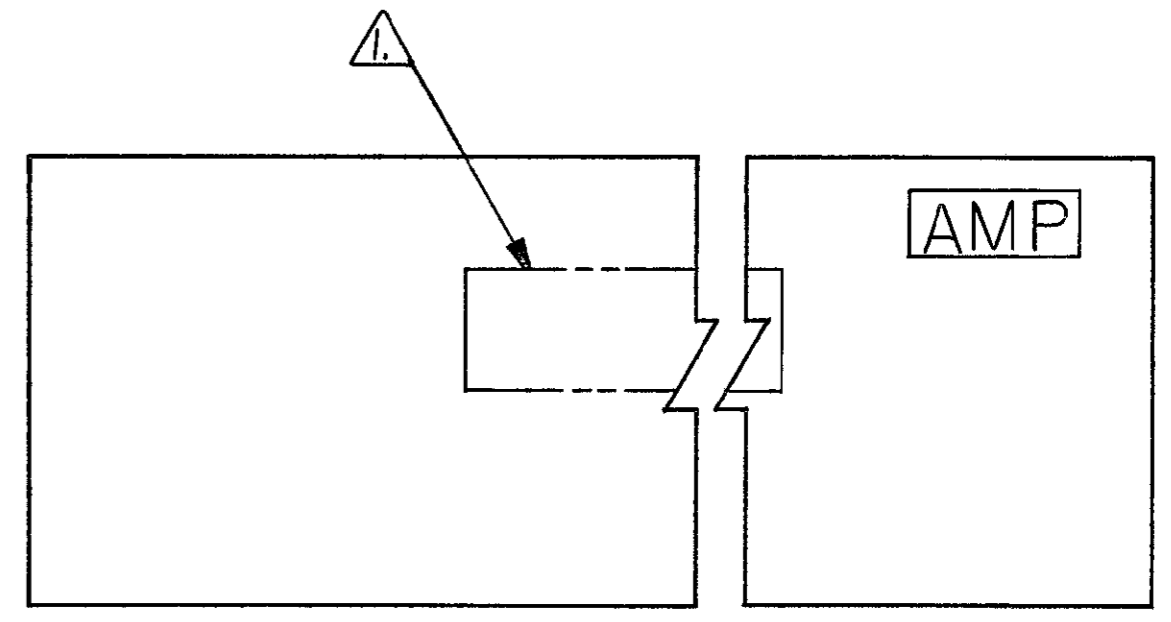
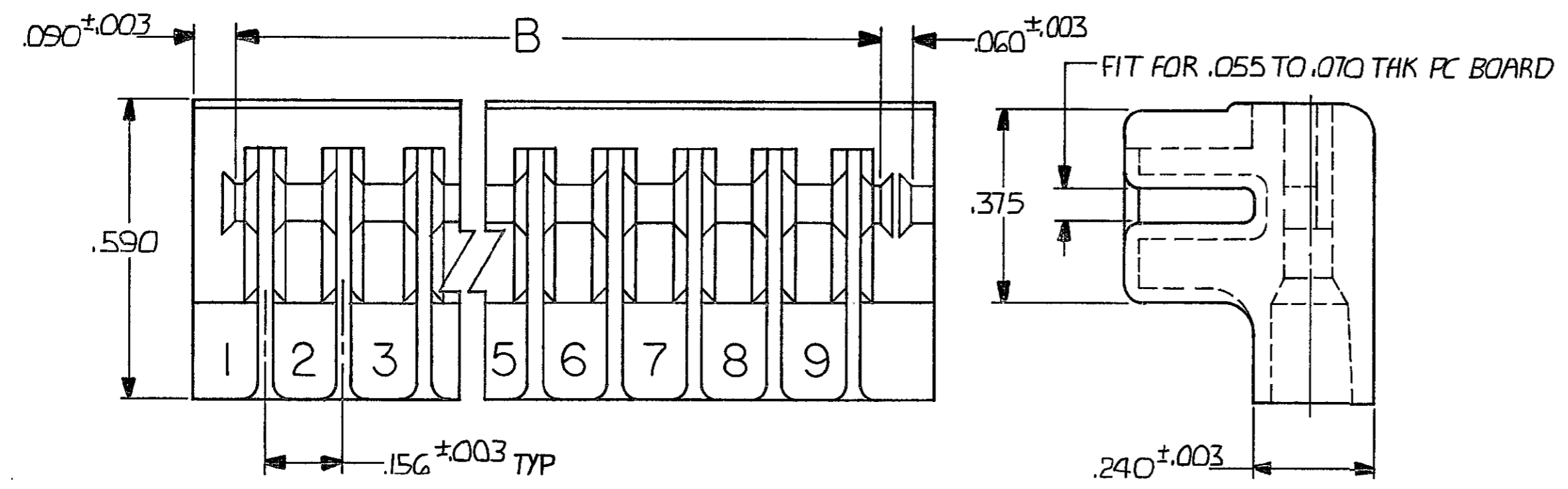
© COPYRIGHT 1976 BY AMP INCORPORATED, HARRISBURG, PA. ALL INTERNATIONAL RIGHTS RESERVED. AMP INCORPORATED PRODUCTS COVERED BY U. S. AND FOREIGN PATENTS AND/OR PATENTS PENDING.

UNPUBLISHED SOP. NOT TO BE REPRODUCED NOR PUBLISHED WITHOUT WRITTEN PERMISSION OF AMP INCORPORATED.

REVISIONS					
P/F	ZONE	LTR	DESCRIPTION	DATE	APPROVED
✓		E	OBSELETE -11/0010-1308-93-2298	11-93	PB
✓		F	REV PER 0010-0913-99	9/1/99	SS
✓		G	REV PER 0010-1143-95	11-95	PB
		H	REV PER EC 0G3C-233-01	02OCT01	MM
		H1	REVISED PER ECO-09-026346	NOV09	AEG
		H2	REVISED PER ECO-20-006229	KR/JS	21MAY2020



- 1. "AMP" PART NUMBER AND DATE CODE MARKED THIS AREA. DATE CODE (OPTIONAL) OR MOLDED.
- 2. REFER TO 60215 583284 AND 530501 FOR TERMINALS.
- 3. THE RETAINING DIMPLES ARE OPTIONAL IN BOTH CUT-OUTS.
- 4. CONTACT CAVITIES ENLARGED FOR 18 TO 16 AWG LEADS WITH MAXIMUM INSULATION DIAMETER OF .130.
- 5. IDENTIFICATION MARKING OMITTED.
- 6. OBSOLETE PARTS: OBSOLETE CIS STREAMLINING PER D.RENAUD/D.SINISI



5	OBSELETE	2.741	2.754	2.964	18	1-530853-8
5	OBSELETE	4.00	4.14	6.24	3	1-530853-1
5	OBSELETE	3.365	3.378	3.528	22	530853-9
6	OBSELETE	2.741	2.754	2.964	18	8
6	OBSELETE	2.272	2.286	2.496	15	7
6	OBSELETE	2.117	2.130	2.340	14	6
6	OBSELETE	1.805	1.818	2.028	12	5
		1.337	1.350	1.560	9	4
		.868	.882	1.092	6	3
	OBSELETE	.712	.726	.936	5	2
		400	414	624	3	530853-1

UNLESS OTHERWISE SPECIFIED DIMENSIONS ARE IN INCHES. TOLERANCES ON: DECIMALS ±.005 ANGLES ±	CONTRACT NO	TE Connectivity	
	DR Robert Wolber 10-13-76	NAME HOUSING, DUO-TYNE FLAG	
MATERIAL NYLON COLOR: NATURAL	CHK Bushey 10-13-76	DRAWING NO 530853	
FINISH	APPD Wolber 10-13-76	SIZE C	REV H2
	APPD K. Shorman 10-13-76	CODE IDENT NO 00779	SHEET 1 OF 1
	DSGN APPD	DRAWING NO 530853	
	OTHER APPD	SCALE 4-1	

OPTIONAL CUT-OUTS

530853