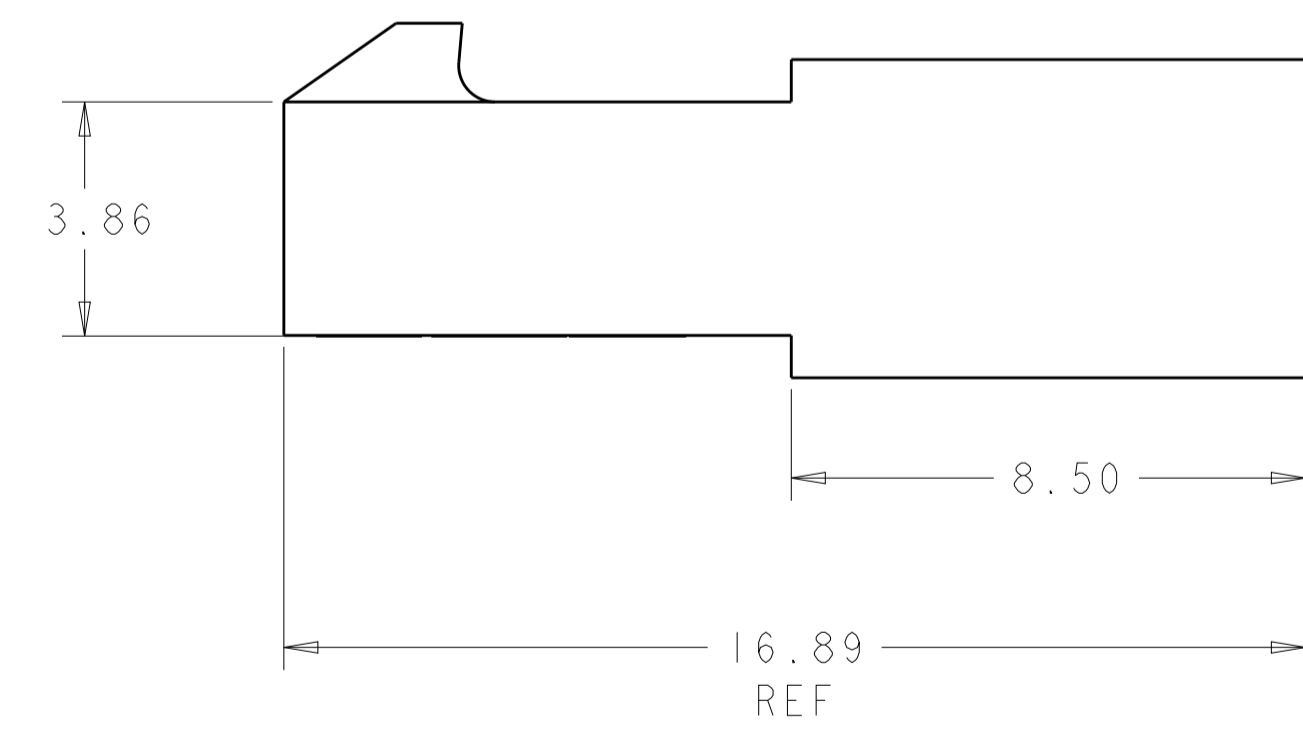
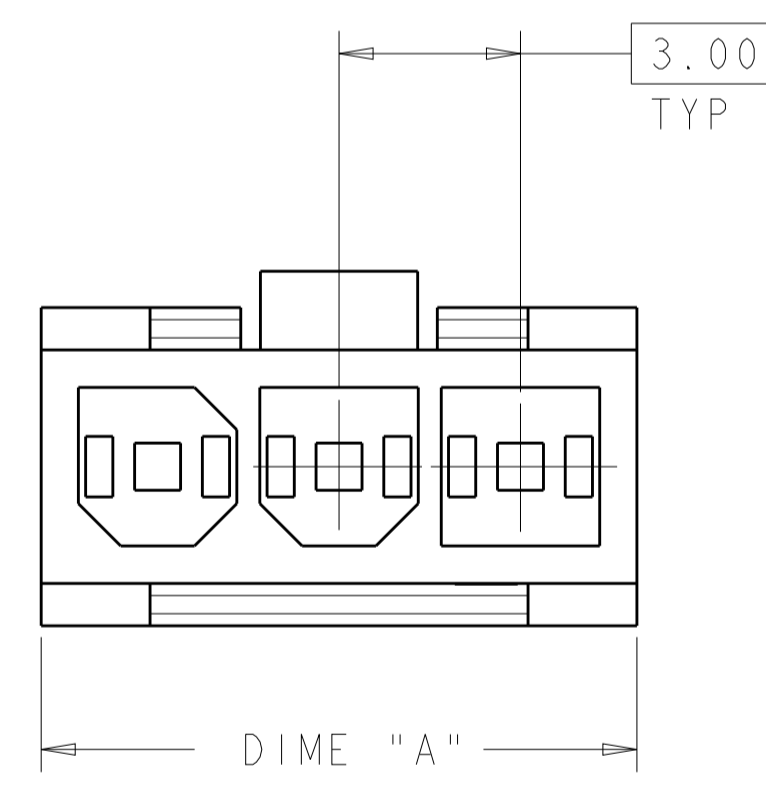
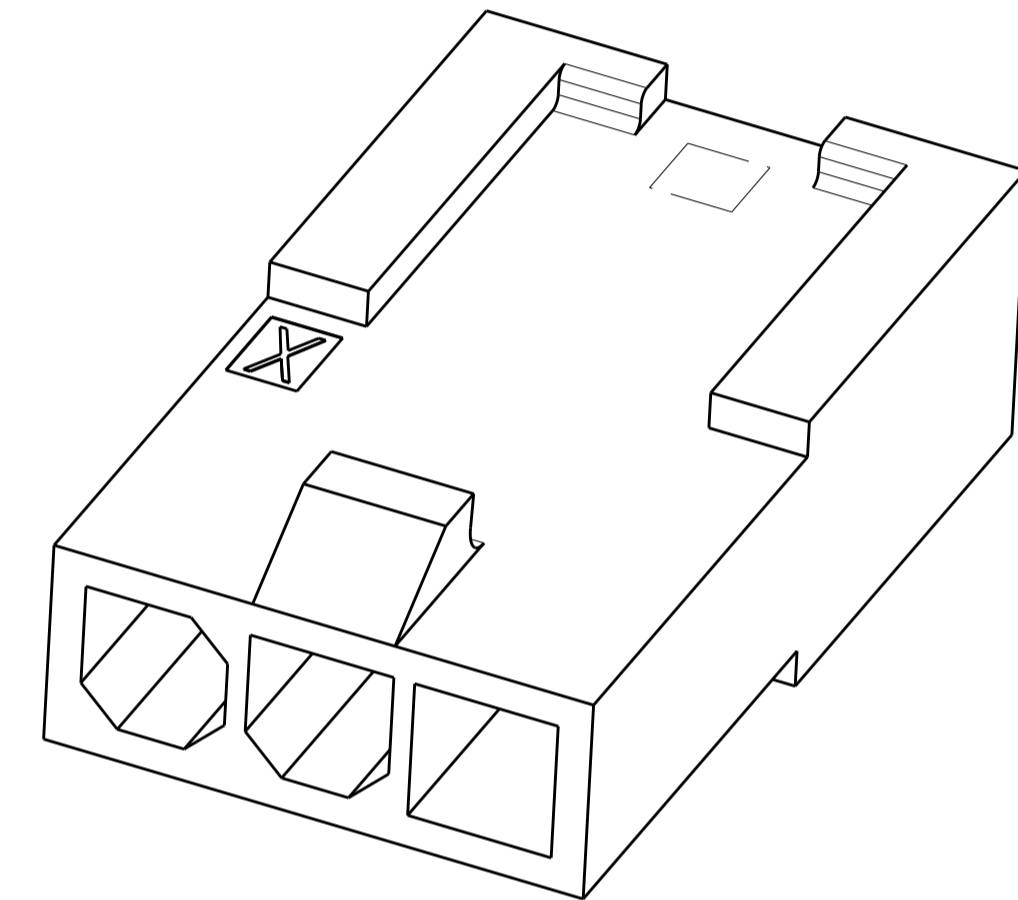
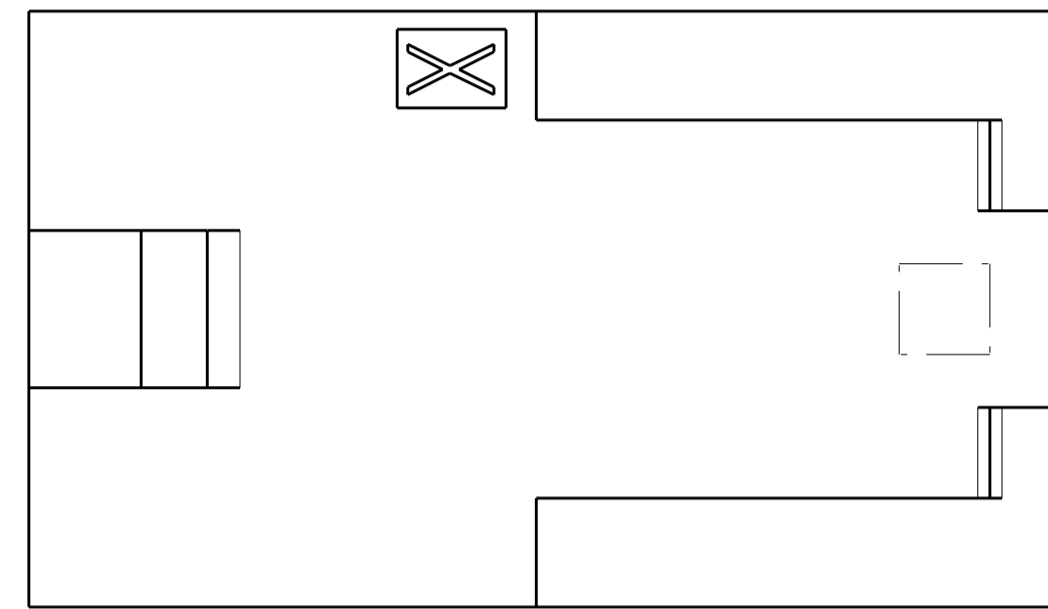


REVISIONS				
P.	LTN	DESCRIPTION	DATE	OWN APVD
A1		REVISED PER ECR-18-007792	21MAY2018	JB DZ
B		REVISED PER ECR-18-014008	04SEP2018	JB DZ

△ MATERIAL PA66 UL94-V0, GW, COLOR-NATURAL



UL94-V0 GWT △	12.85	4	2315785-4
	9.85	3	2315785-3
	6.85	2	2315785-2
MATERIAL	DIM "A"	NO. OF POSITIONS	PART NUMBER

THIS DRAWING IS A CONTROLLED DOCUMENT.		OWN: BASAVARAJA D A 02MAR2018	TE Connectivity	
DIMENSIONS: mm		CHK: JYOTIRMAYA 02MAR2018	NAME: PLUG HOUSING, SINGLE ROW, FREE HANGING MICRO MATE-N-LOK	
TOLERANCES UNLESS OTHERWISE SPECIFIED:		APVD: DANIEL ZHANG 02MAR2018	PRODUCT SPEC: 108-1836	
0 PLC ±		APPLICATION SPEC: 114-13000	SIZE: A1	
1 PLC ±0.13		WEIGHT: -	CAGE CODE: 2315785	
2 PLC ±		RESTRICTED TO: -	SCALE: 8:1	
3 PLC ±		CUSTOMER DRAWING	SHEET 1 OF 1	
4 PLC ±			REV B	
ANGLES ±				
FINISH -				