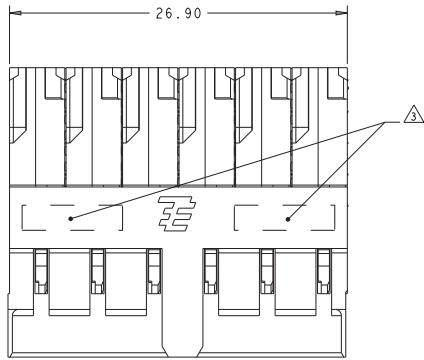
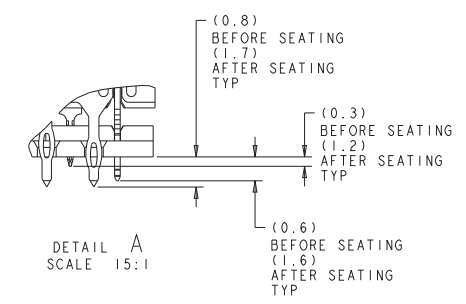
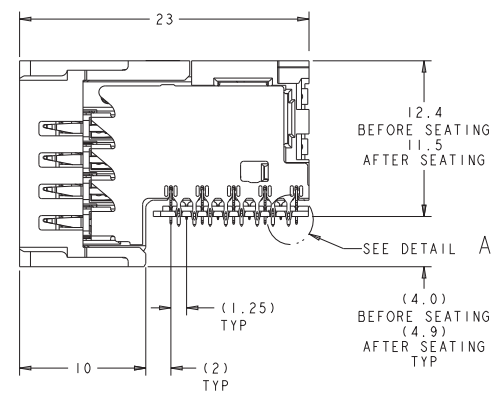
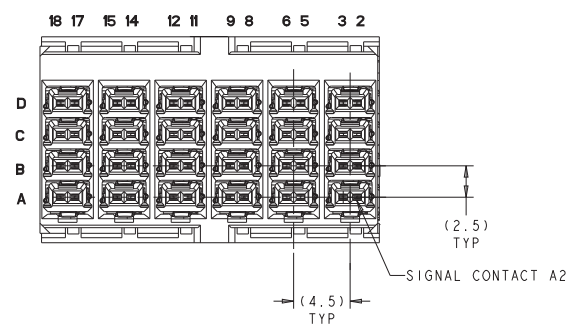


LOC	REV	DESCRIPTION	DATE	BY	APP'D
GP	00				
A		RELEASED	25MAR2014	RT	NS
B		REVISED PER ECO-17-006848	10MAR2017	JM	SS



- △ MATERIAL:  
CONTACT AND SHIELD - COPPER ALLOY.  
HOUSINGS, AND ORGANIZER - THERMOPLASTIC, UL 94V-0, BLACK.
- △ CONFORMS TO REQUIREMENTS OF TE PRODUCT SPECIFICATIONS 108-2413 & 108-32037, BASED ON TELCORDIA GR-1217-CORE FOR SYSTEM QUALITY LEVEL III; APPLICATIONS IN CONTROLLED ENVIRONMENTS (CENTRAL OFFICE).
- △ CONNECTOR MARKED WITH PART NUMBER, DATE CODE, MANUFACTURING LOCATION IDENTIFICATION CODE, AND 2D BARCODE IN APPROXIMATE AREA SHOWN.
- 4. CONTACT AREA LUBRICATED WITH BELLCORE APPROVED LUBRICANT. TECHNICAL REFERENCE: GR-1217-CORE, ISSUE 2, DECEMBER 2008.
- △ PLATED THRU HOLE REQUIREMENTS:  
FINISHED HOLE =  $\varnothing 0.344 \pm 0.039$   
DRILLED HOLE =  $\varnothing 0.420 \pm 0.013$   
COPPER THICKNESS =  $0.038 \pm 0.013$   
IMMERSION TIN IF APPLICABLE =  $0.00051 \pm 0.00013$
- △ PLATED THRU HOLE REQUIREMENTS:  
FINISHED HOLE =  $\varnothing 0.244 \pm 0.039$   
DRILLED HOLE =  $\varnothing 0.320 \pm 0.013$   
COPPER THICKNESS =  $0.038 \pm 0.013$   
IMMERSION TIN IF APPLICABLE =  $0.00051 \pm 0.00013$
- △ PTH DIMENSIONS APPLY TO 1.00mm DEPTH FROM MOUNT SIDE OF PCB.
- △ HOLE POSITION TOLERANCE APPLIES WITHIN PATTERN FOR CONNECTOR PATTERN TO CONNECTOR PATTERN, A 0.12 $\varnothing$  POSITION TOLERANCE APPLIES.



TIN	2198267-2
TIN-LEAD	2198267-1
PRESS FIT	PART NO
TAIL PLATING	

THIS DRAWING IS A CONTROLLED DOCUMENT. (DW) N. THOMPSON 25NOV2011  
 (COP) N. SWANGER 25NOV2011

DIMENSIONS: mm TOLERANCES UNLESS OTHERWISE SPECIFIED:  
 0 P/C  $\pm 0.2$   
 1 P/C  $\pm 0.2$   
 2 P/C  $\pm 0.2$   
 3 P/C  $\pm 0.13$   
 FINISH: A

APPLICATION SPEC: 114-13301  
 WEIGHT: .  
 MATERIAL: SEE TABLE

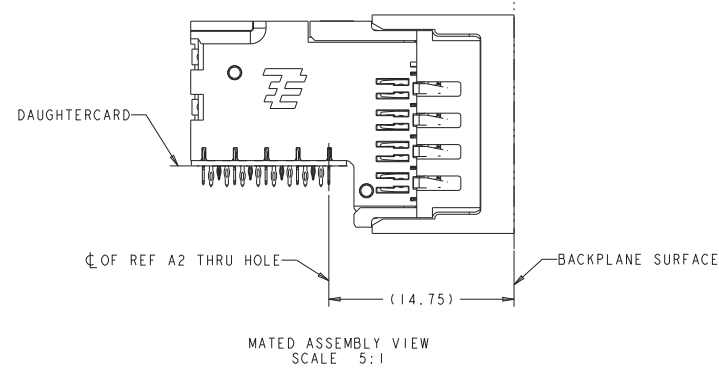
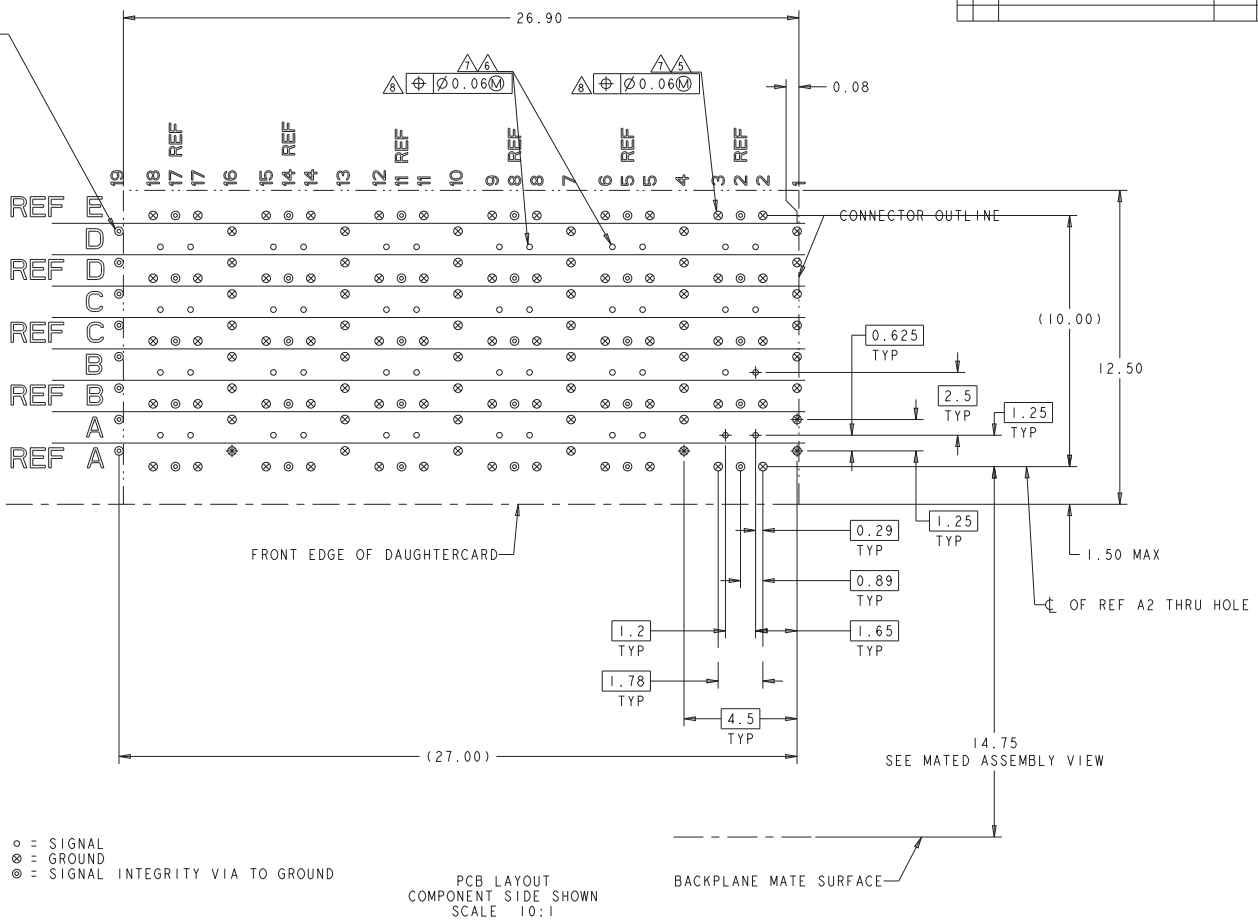
DATE: 114-13301  
 PART: A100779  
 CUSTOMER DRAWING

TE Connectivity  
 RECEPTACLE ASSEMBLY,  
 4 PAIR 6 COLUMN, RIGHT ANGLE,  
 4.5mm PITCH, STRADA WHISPER 360

SCALE: 5:1 SHEET 1 OF 2

REVISONS		DATE	BY	APP'D
GP	00			

FOOTPRINT SHOWN IS FOR SINGLE MODULE APPLICATION. WHEN CONNECTORS ARE STACKED SIDE BY SIDE, THESE SI VIAS ARE USED AS GROUNDS BY THE NEXT CONNECTOR



THIS DRAWING IS A CONTROLLED DOCUMENT.		OWN N. THOMPSON	28NOV2011	TE Connectivity
DIMENSIONS:		COP N. SWANGER	28NOV2011	
TOLERANCES UNLESS OTHERWISE SPECIFIED:		APPR N. SWANGER	28NOV2011	RECEPTACLE ASSEMBLY, 4 PAIR 6 COLUMN, RIGHT ANGLE, 4.5mm PITCH, STRADA WHISPER 360
0 P/LC ±0.2 1 P/LC ±0.5 2 P/LC ±0.08 3 P/LC ±0.013 4 P/LC ±0.013		NAME N. SWANGER	PRODUCT SPEC	
ANGLE °: °:		APPLICATION SPEC	SIZE / CASE CODE / DRAWING NO.	RESTRICTED TO
MATERIAL		WEIGHT	A100779	
FINISH		Customer Drawing	SCALE 5:1 SHEET 2 of 2	REV B