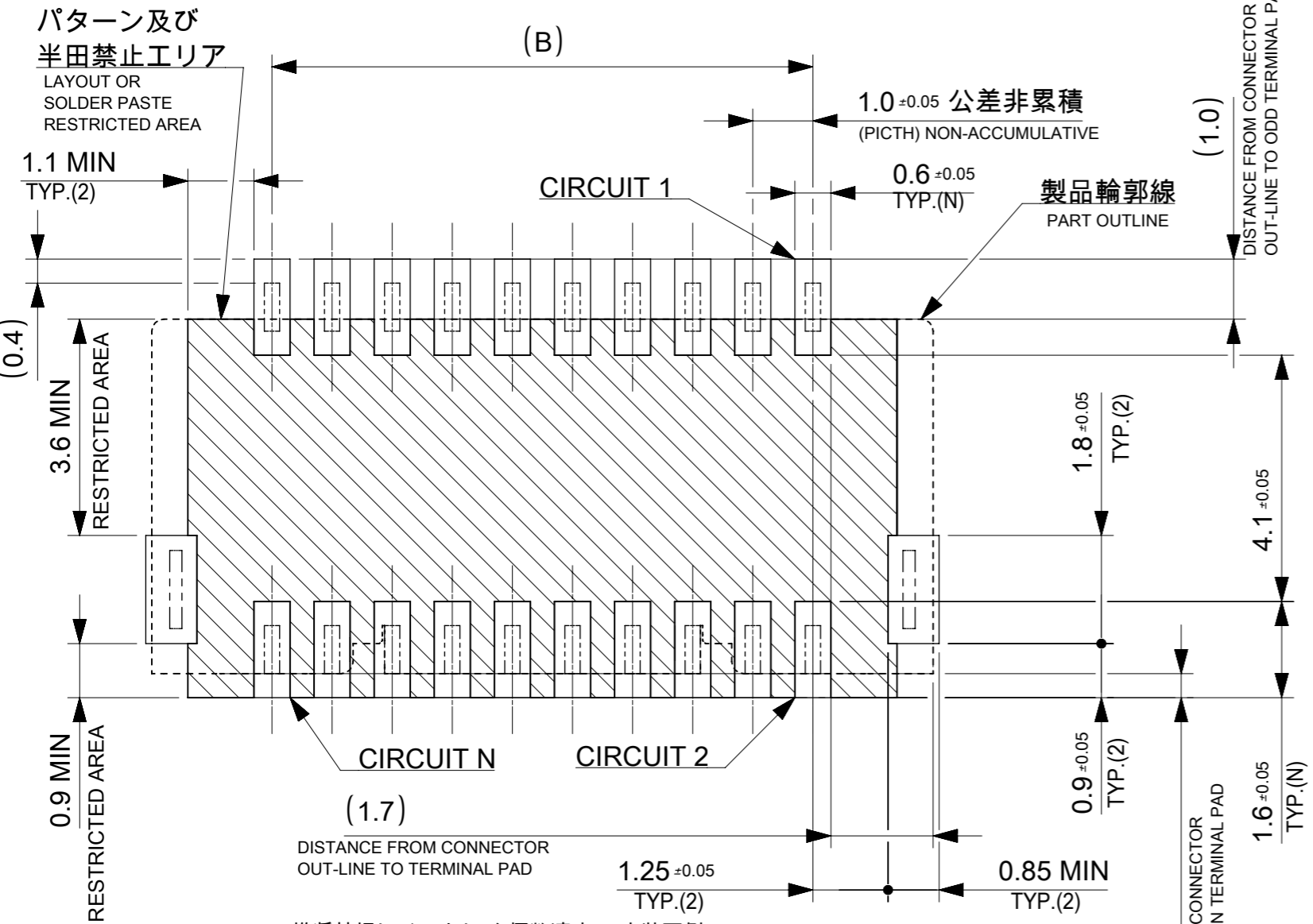


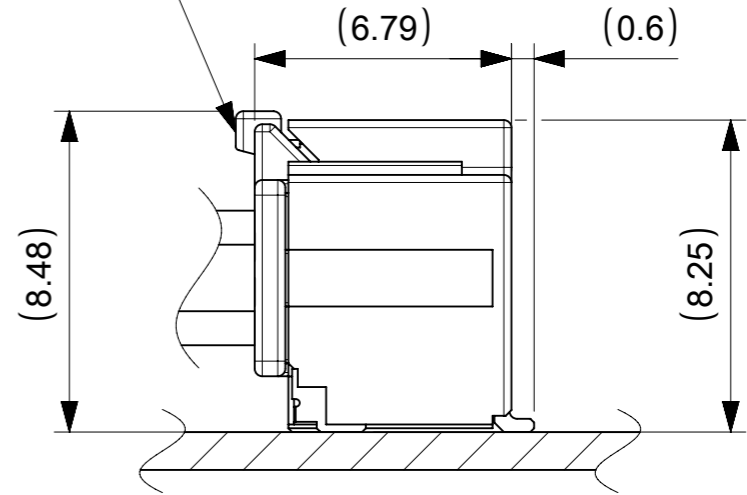
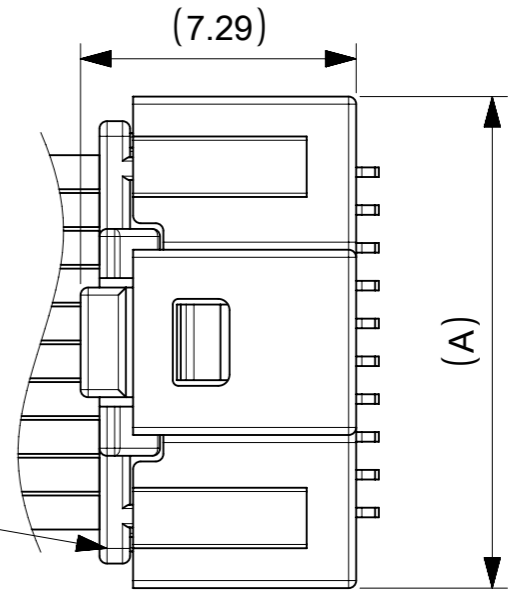
製品レイアウト  
PRODUCT LAYOUT



推奨基板レイアウト(全極数適応) : 実装面側  
(参考 : 基板厚 1.0mm, メタルマスク厚さ 0.12mm, マスク開口率 100%)  
POLARIZED RECOMMENDED PCB LAYOUT (APPLY TO ALL CIRCUIT) : COMPONENT SIDE  
(REFERENCE: PCB THICKNESS 1.0mm, STENCIL THICKNESS 0.12mm, APERTURE RATIO 100%)

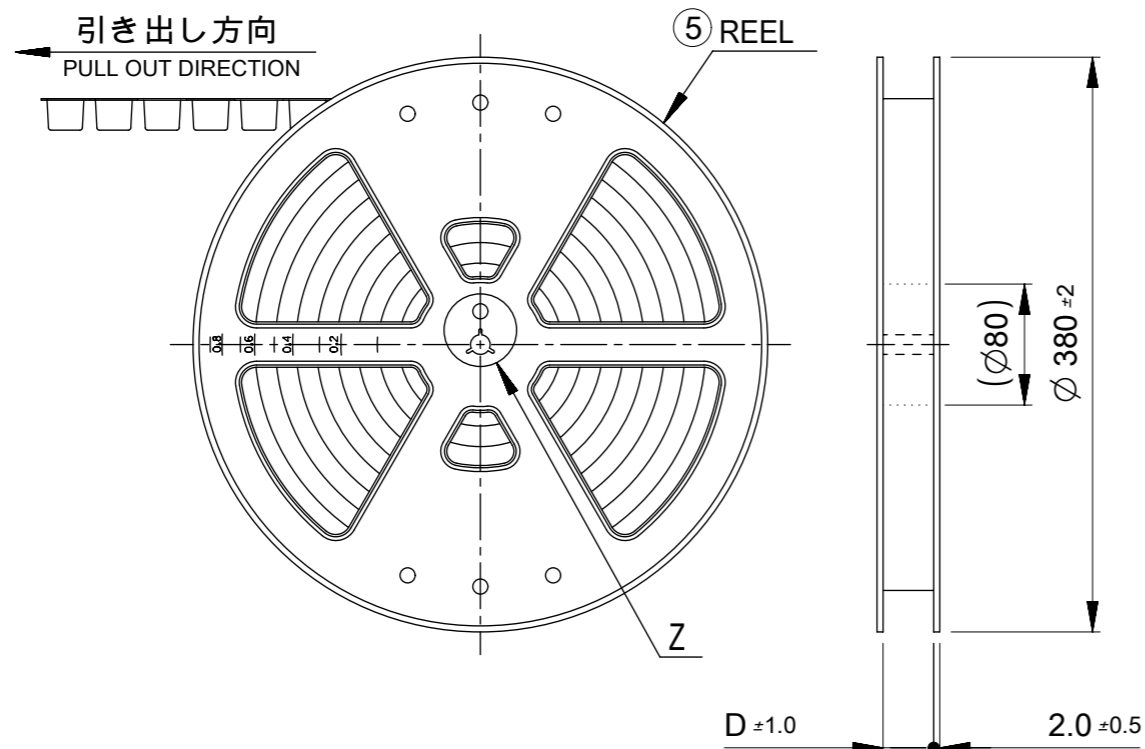
:パターン禁止エリア  
RESTRICTED AREA  
NO PCB COMPONENTS ALLOWED

4 嵌合相手:501189シリーズ  
MATE WITH : 501189 SERIES



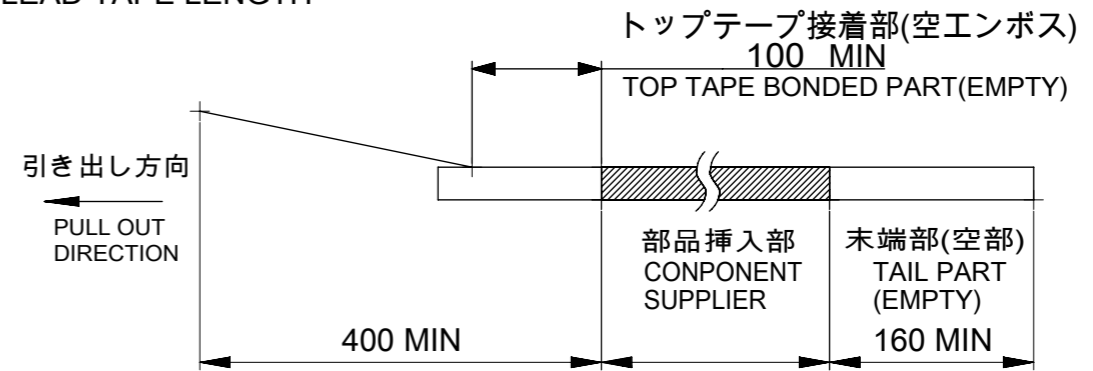
嵌合図  
MATED CONNECTORS

THIS DRAWING CONTAINS INFORMATION THAT IS PROPRIETARY TO MOLEX ELECTRONIC TECHNOLOGIES, LLC AND SHOULD NOT BE USED WITHOUT WRITTEN PERMISSION		CURRENT REV DESC:		<b>molex</b>	
DIMENSION UNITS	SCALE				
mm	NTS			PICO-CLASP 1.0 W/B DUAL ROW R/A SMT GOLD PLATING LOW HALOGEN	
GENERAL TOLERANCES (UNLESS SPECIFIED)		EC NO: 639499		DOCUMENT NUMBER	
ANGULAR TOL ± 3.0 °		DRWN: AISHIKAWA 2019/09/30		2083930000-SD	
4 PLACES ± 0.2		CHK'D: AIDA 2020/06/19		DOC TYPE DOC PART REVISION	
3 PLACES ± 0.2		APPR: SAKIYAMA 2020/06/19		PSD 000 A	
2 PLACES ± 0.2		INITIAL REVISION:		MATERIAL NUMBER	
1 PLACE ± 0.2		DRWN: AISHIKAWA 2019/09/30		CUSTOMER	
0 PLACES ± 0.2		APPR: SAKIYAMA 2020/06/19		SHEET NUMBER	
DRAFT WHERE APPLICABLE MUST REMAIN WITHIN DIMENSIONS		THIRD ANGLE PROJECTION	DRAWING	SERIES	
			A3-SIZE	208393	

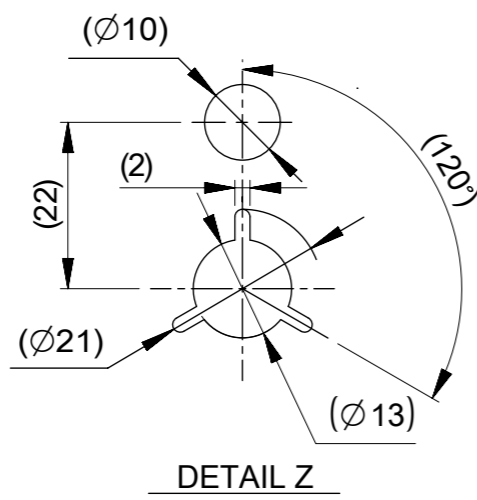


**NOTES**

- 10. 梱包数量:800個/リール  
NUMBER OF CONNECTORS : 800 PIECES/REEL
- 11. リードテープ長さ  
LEAD TAPE LENGTH



- 12. トップテープの剥離強度はIEC60286-3に準拠。  
TOP TAPE PEELING FORCE IS DEFINED BY IEC60286-3.
- 13. 梱包仕様書 : 2083939200-SPK PS 200  
PACKAGE SPECIFICATION:



45.5	50
	40
33.5	30
25.5	20
D	極数 CIRCUIT SIZE

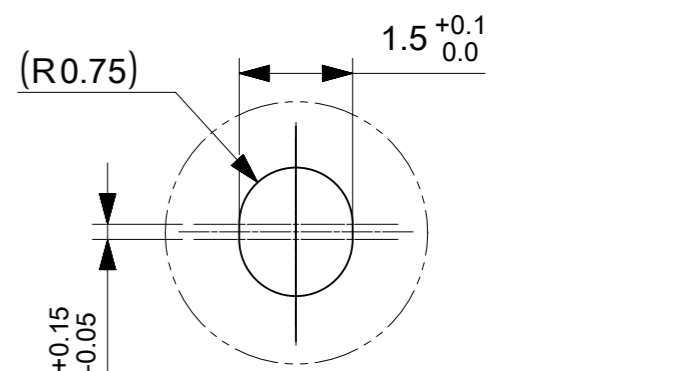
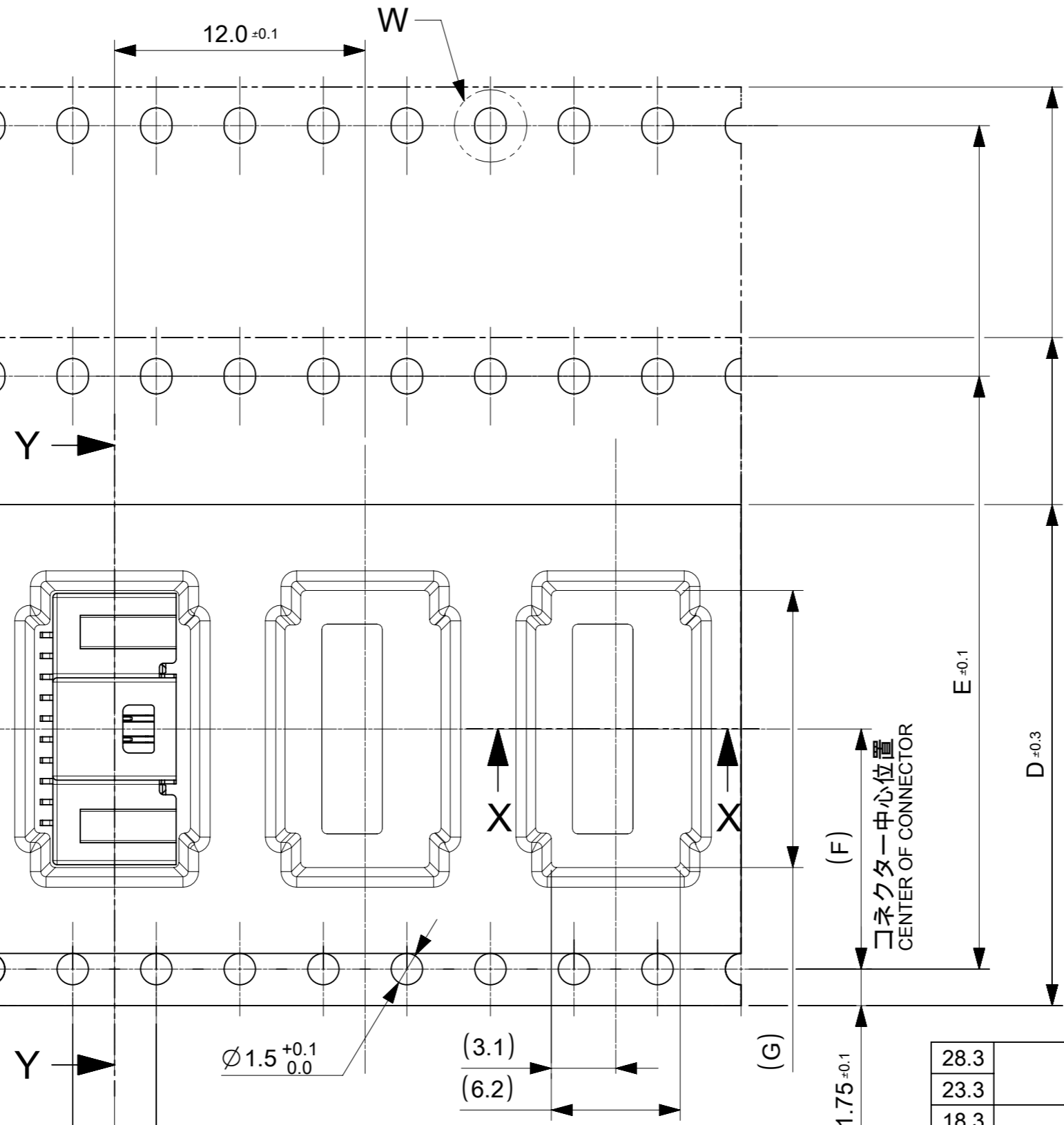
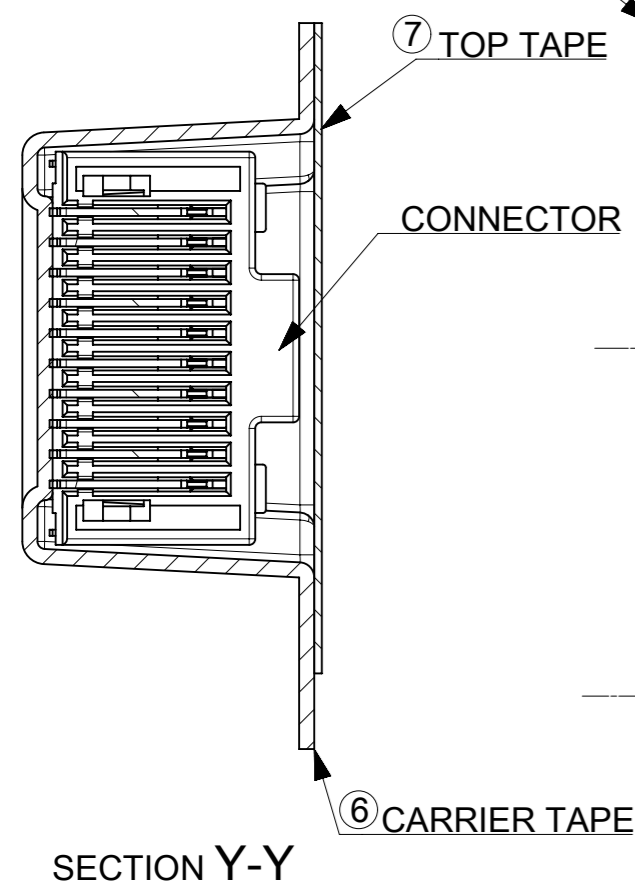
THIS DRAWING CONTAINS INFORMATION THAT IS PROPRIETARY TO MOLEX ELECTRONIC TECHNOLOGIES, LLC AND SHOULD NOT BE USED WITHOUT WRITTEN PERMISSION		CURRENT REV DESC:		<b>molex</b>	
DIMENSION UNITS	SCALE				
mm	NTS			PICO-CLASP 1.0 W/B DUAL ROW R/A SMT GOLD PLATING LOW HALOGEN	
GENERAL TOLERANCES (UNLESS SPECIFIED)		EC NO: 639499		PRODUCT CUSTOMER DRAWING	
ANGULAR TOL	± 3.0 °	DRWN: AISHIKAWA	2019/09/30	DOCUMENT NUMBER	
4 PLACES	± 0.2	CHK'D: AIDA	2020/06/19	2083930000-SD	
3 PLACES	± 0.2	APPR: SAKIYAMA	2020/06/19	DOC TYPE	DOC PART
2 PLACES	± 0.2	INITIAL REVISION:		PSD	000
1 PLACE	± 0.2	DRWN: AISHIKAWA	2019/09/30	REVISION	
0 PLACES	± 0.2	APPR: SAKIYAMA	2020/06/19	A	
DRAFT WHERE APPLICABLE MUST REMAIN WITHIN DIMENSIONS		THIRD ANGLE PROJECTION	DRAWING	SERIES	MATERIAL NUMBER
			A3-SIZE	208393	CUSTOMER
				SHEET NUMBER	
				3 OF 4	

番号 NO.	部品 PART	材質 MATERIAL
⑤	リール REEL	ポリスチレン(PS) <リサイクル材を含む> POLYSTYRENE(PS) <RECYCLE MATERIAL CONTAINED>
DOCUMENT STATUS	P1	RELEASE DATE 2020/06/19 11:24:35

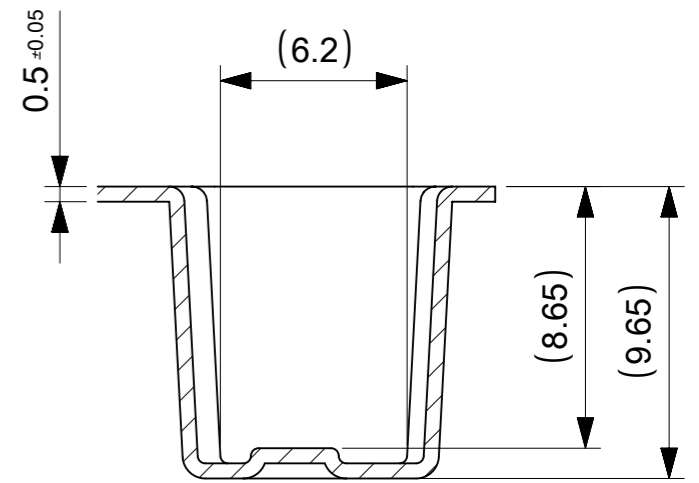
44mm幅テープ  
TAPE WIDTH:44mm

32mm幅テープ  
TAPE WIDTH:32mm

24mm幅テープ  
TAPE WIDTH:24mm



DETAIL W  
SCALE 10:1



SECTION X-X

累積ピッチ: 40 ± 0.2  
ACUUMLATIVE PITCH:

(2.0) エンボスポケット中心位置  
CENTER OF EMBOSSED POCKET

(F)  
コネクタ中心位置  
CENTER OF CONNECTOR

引き出し方向  
PULL OUT DIRECTION

28.3	20.2	40.4	44.0	50
23.3				40
18.3	14.2	28.4	32.0	30
13.3	11.5	-	24.0	20
G	コネクタ中心位置 F CENTER OF CONNECTOR		E エンボステープ幅 D WIDTH OF TAPE	極数 CIRCUIT SIZE

THIS DRAWING CONTAINS INFORMATION THAT IS PROPRIETARY TO MOLEX ELECTRONIC TECHNOLOGIES, LLC AND SHOULD NOT BE USED WITHOUT WRITTEN PERMISSION

DIMENSION UNITS	SCALE	CURRENT REV DESC:		
mm	NTS			
GENERAL TOLERANCES (UNLESS SPECIFIED)				
ANGULAR TOL	± 3.0°			
4 PLACES	± 0.2	EC NO: 639499		
3 PLACES	± 0.2	DRWN: AISHIKAWA 2019/09/30		
2 PLACES	± 0.2	CHK'D: AIDA 2020/06/19		
1 PLACE	± 0.2	APPR: SAKIYAMA 2020/06/19		
0 PLACES	± 0.2	INITIAL REVISION:		
DRAFT WHERE APPLICABLE MUST REMAIN WITHIN DIMENSIONS		DRWN: AISHIKAWA 2019/09/30		2020/06/19
THIRD ANGLE PROJECTION		APPR: SAKIYAMA 2020/06/19		
DRAWING		SERIES		MATERIAL NUMBER
A3-SIZE		208393		CUSTOMER
DOCUMENT NUMBER		DOC TYPE		DOC PART
2083930000-SD		PSD		000
SHEET NUMBER		REVISION		
4 OF 4		A		

**molex**

PICO-CLASP 1.0 W/B  
DUAL ROW R/A SMT GOLD PLATING  
LOW HALOGEN

PRODUCT CUSTOMER DRAWING

番号 NO.	部品 PART	材質 MATERIAL
⑥	キャリアテープ CARRIER TAPE	ポリプロピレン(PP)、その他 POLYPROPYLEN(PP), etc
⑦	トップテープ TOP TAPE	ポリエチレン(PE)、その他 POLYETHYLENE(PE), etc

DOCUMENT STATUS	P1	RELEASE DATE	2020/06/19	11:24:35
-----------------	----	--------------	------------	----------