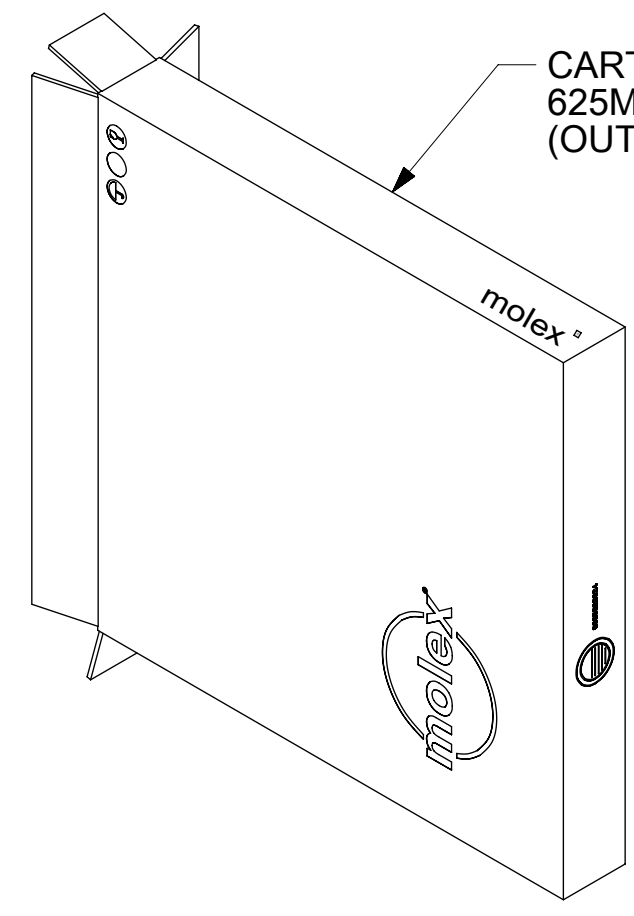
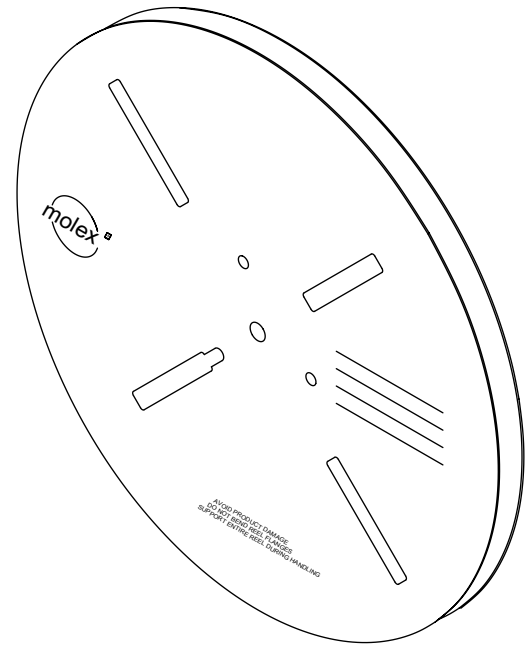
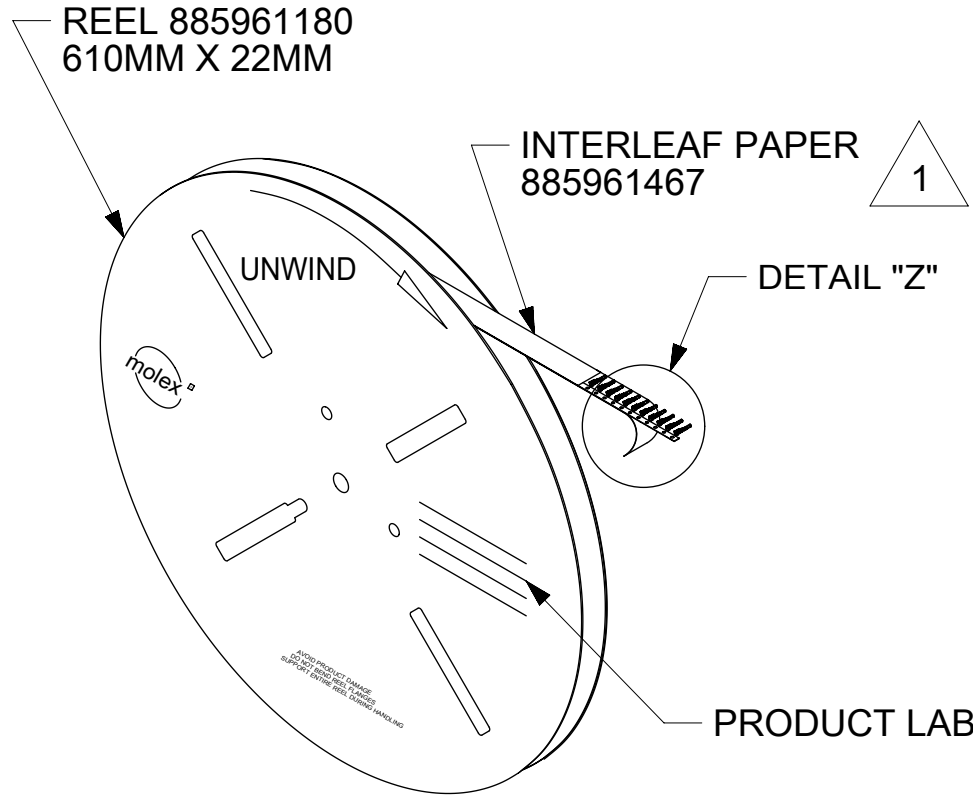


MATERIAL NUMBER	TERMINALS PER REEL
203951-0001	12,000

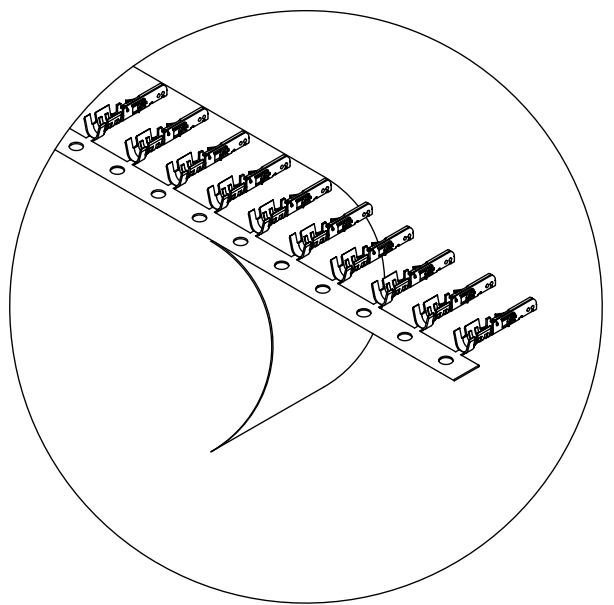
REELS PER CARTON	PACKAGING STYLE	PACKAGING MATERIAL NUMBER
4	REEL CARTON	885961370
28	FULL SLEEVE ASSEMBLY	44096-1000



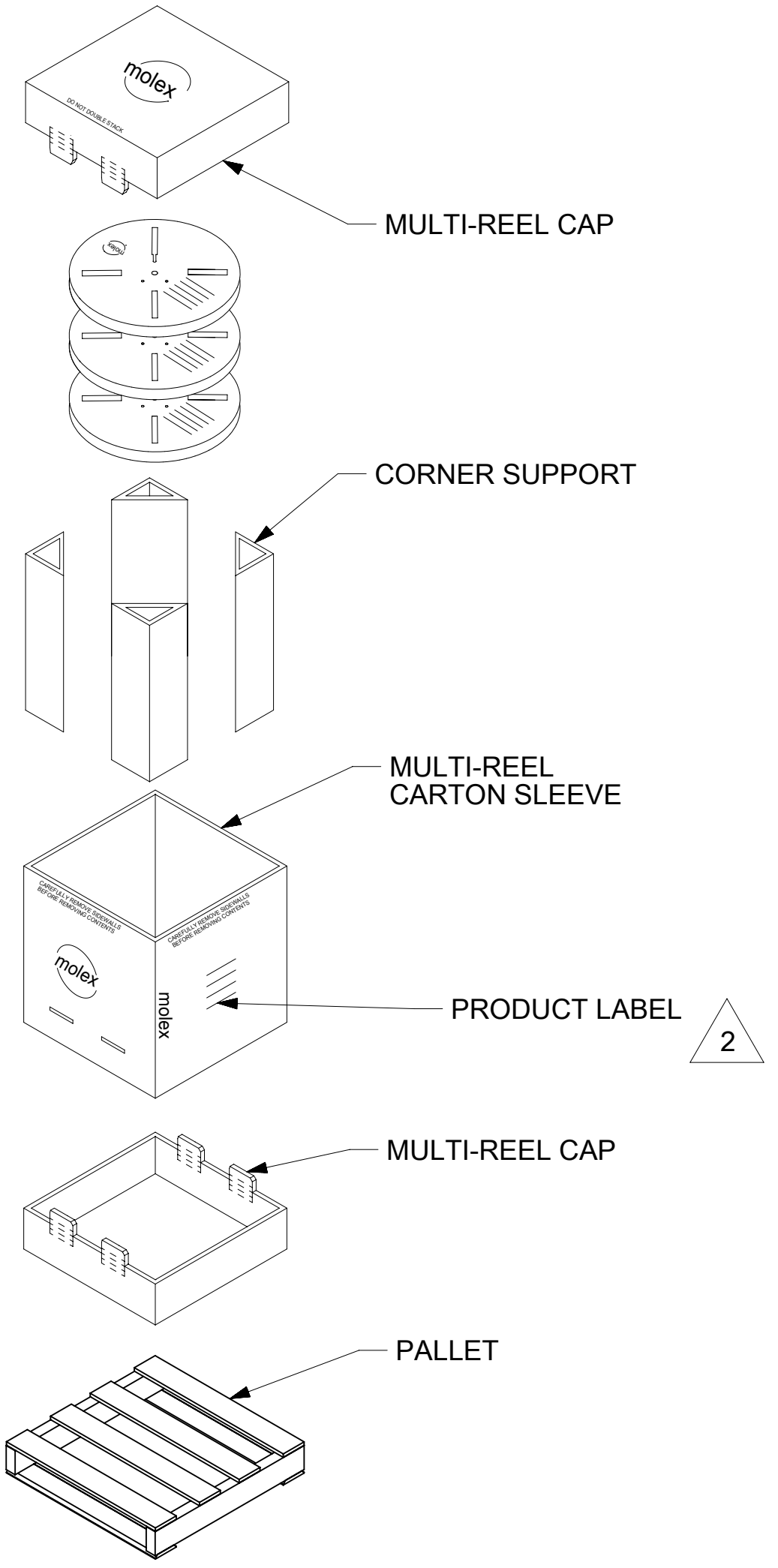
CARTON 885961370
625MM X 625MM X 162MM
(OUTSIDE SIZE)



UNWIND DIRECTION



DETAIL "Z"
TERMINAL ORIENTATION



CYLINDER SLEEVE ASSEMBLY
FULL SLEEVE ASSEMBLY 44096-1000

- NOTES:**
1. INTERLEAF PAPER SHOULD BE USED FOR THE ENTIRE REEL. (REF. ES-40000-7005)
 2. PRODUCT LABEL TO BE ATTACHED AT THIS APPROXIMATE LOCATION. (REF. ES-40000-7012). LABEL MAY BE LOCATED ON OTHER SIDE OF REEL
 3. REELS ARE SHIPPED IN PACKAGING THAT MATCHES PRESCRIBED ORDER QUANTITIES.
 4. PREFERRED PACKAGING COMPONENT MATERIAL NUMBERS. ENGINEERING APPROVED EQUIVALENTS MAY BE SUBSTITUTED AS REQUIRED.

SYMBOLS	THIS DRAWING CONTAINS INFORMATION THAT IS PROPRIETARY TO MOLEX ELECTRONIC TECHNOLOGIES, LLC AND SHOULD NOT BE USED WITHOUT WRITTEN PERMISSION			
	DIMENSION UNITS		SCALE	
▽ = 0	mm	NTS		CURRENT REV DESC: CHANGE TO 4 REEL
▽ = 0	GENERAL TOLERANCES (UNLESS SPECIFIED)			
▽ = 0		MM	INCH	EC NO: 619330 DRWN: AFAVAZZA 2019/06/19 CHK'D: SSOUSEK 2019/06/28 APPR: FSMITH 2019/07/02
▽ = 0	4 PLACES	±	±	
▽ = 0	3 PLACES	±	±	INITIAL REVISION: DRWN: JEHRISMAN 2019/03/11 APPR: FSMITH 2019/03/11
▽ = 0	2 PLACES	±	±	
▽ = 0	1 PLACE	±	±	THIRD ANGLE PROJECTION
▽ = 0	0 PLACES	±	±	
▽ = 0	ANGULAR TOL	±	°	DRAWING SERIES
▽ = 0	DRAFT WHERE APPLICABLE MUST REMAIN WITHIN DIMENSIONS			C-SIZE 203951



MICROFIT 203951 PACKAGING SPECIFICATION

PACKAGING DESIGN DRAWING

DOCUMENT NUMBER	DOC TYPE	DOC PART	REVISION
2039510000-PK	PDD	000	B
MATERIAL NUMBER	CUSTOMER	SHEET NUMBER	
N/A	GENERAL MARKET	1 OF 1	

DOCUMENT STATUS	P1	RELEASE DATE	2019/07/02 02:02:55
-----------------	----	--------------	---------------------

REPLACES 2039510000-RPK