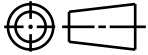
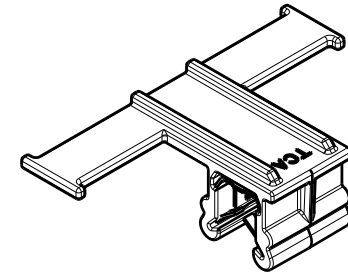
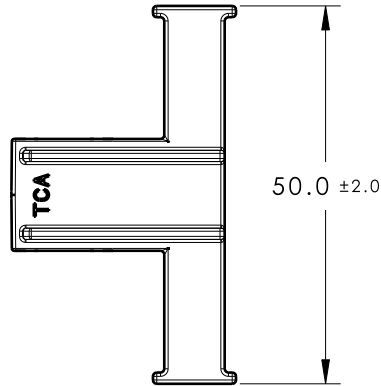


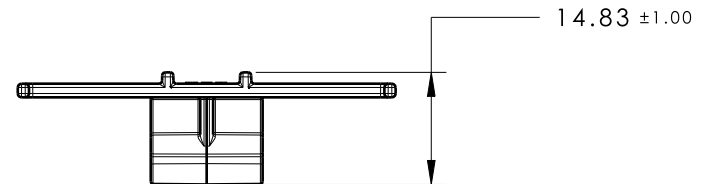
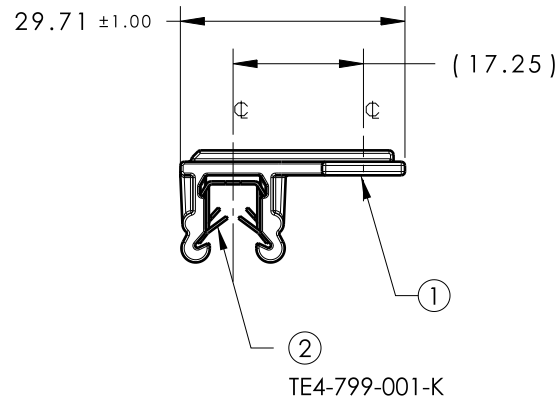
CATIA V5



Revision Level		Revision Record	Changed	Date	Approved	Date
Drawing	Part					
00	A	SEE ECN# 012315	MHT	3/19/13	KVH	3/19/13



ISOMETRIC VIEW



REFERENCE:

① EDGE CLIP HOUSING
MATERIAL: PA66HIRHS
COLOR: BLACK

② INSERT
MATERIAL: SPRING STEEL

RECOMMENDED PANEL THICKNESS RANGE: 3.0 - 6.0mm

Material SEE ABOVE	Units millimeters Tolerance defined on each dimension	The copyright of this drawing is reserved by HellermannTyton. It is issued on condition that it is not reproduced, copied or disclosed to a third party, either wholly or in part, without the consent of HellermannTyton.	Drawn	CMK	1/31/13	Article/Type-No	EC48	Scale	1:1	
			Approved	KVH	3/19/13	Title	17.25mm OFFSET BUNDLING CLIP WITH 3-6mm EDGE CLIP	Project Number	13-0229	
			HellermannTyton North America Email: corp@htamericas.com Web: www.hellermann.tyton.com			Drawing-No	PRODUCTION : Phase		Format	AH
						13-0229-101-CSU			Sheet	1/1

Product Number
Cross Reference Record

Uncontrolled Document

Type Number	UNS Universal Number System	Customer Drawing Title
EC48	151-01206	

Issued By:	Reference Drawing Number:	Issue Date:
HellermannTyton	13-0229-101-CSU	APRIL 22,2013