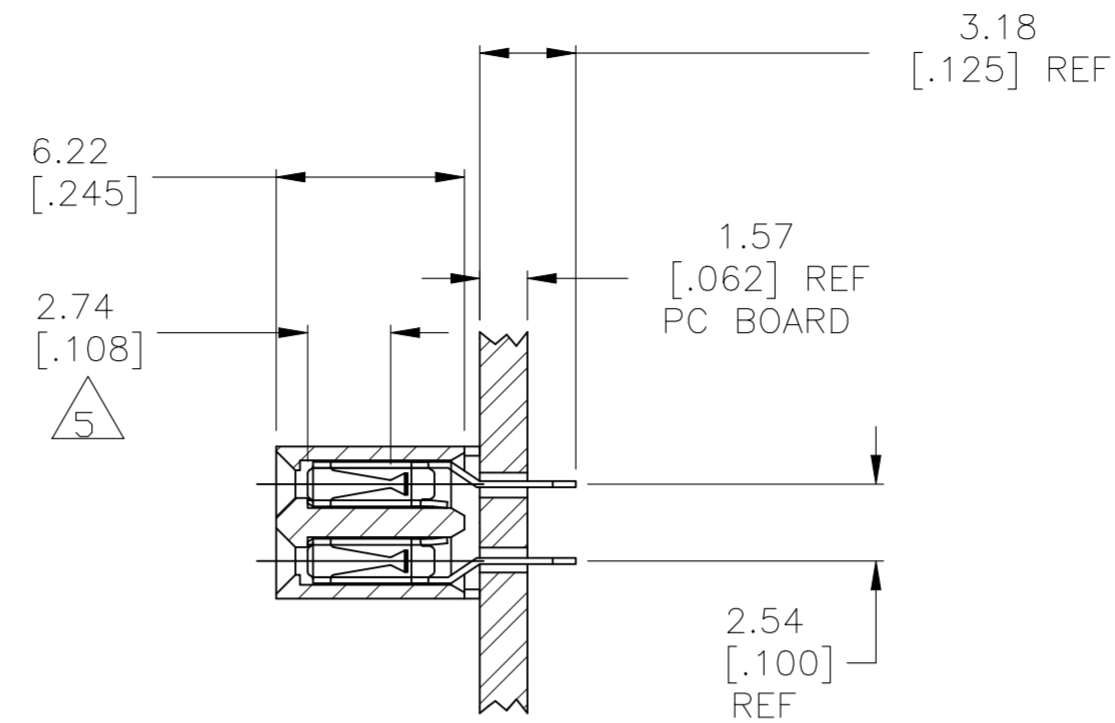
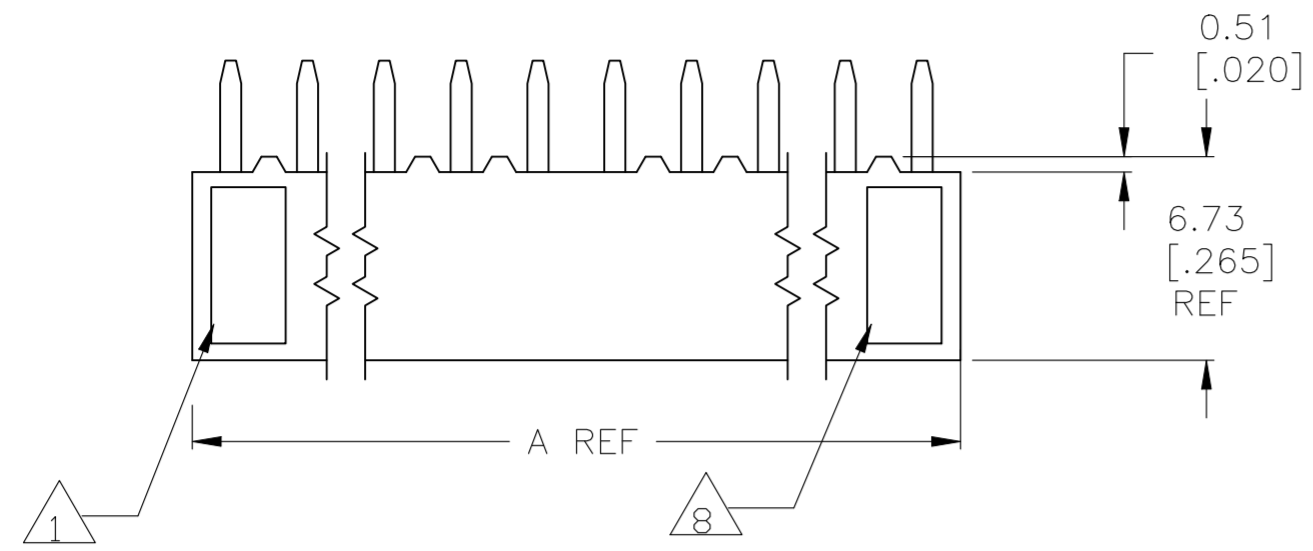
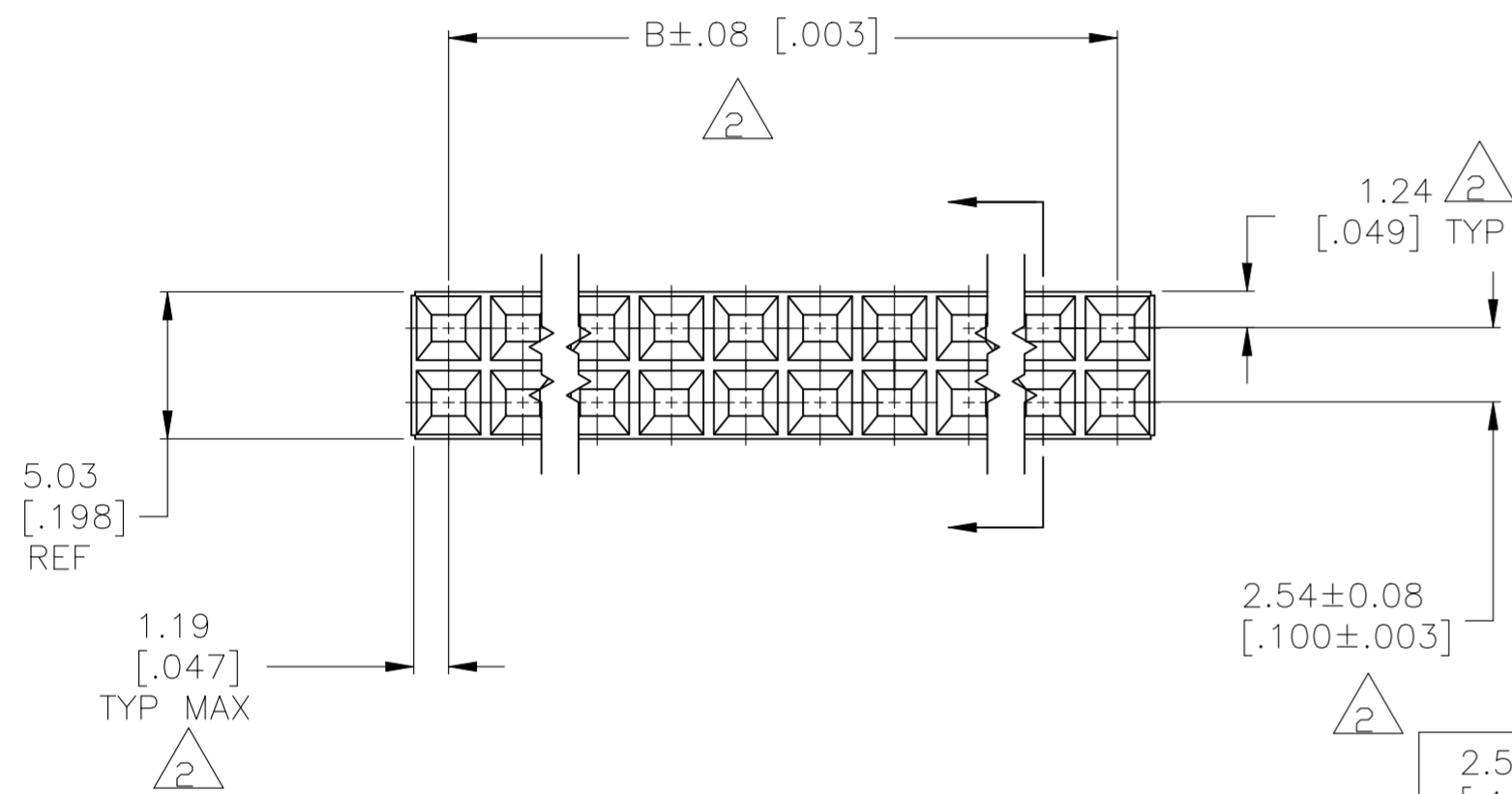


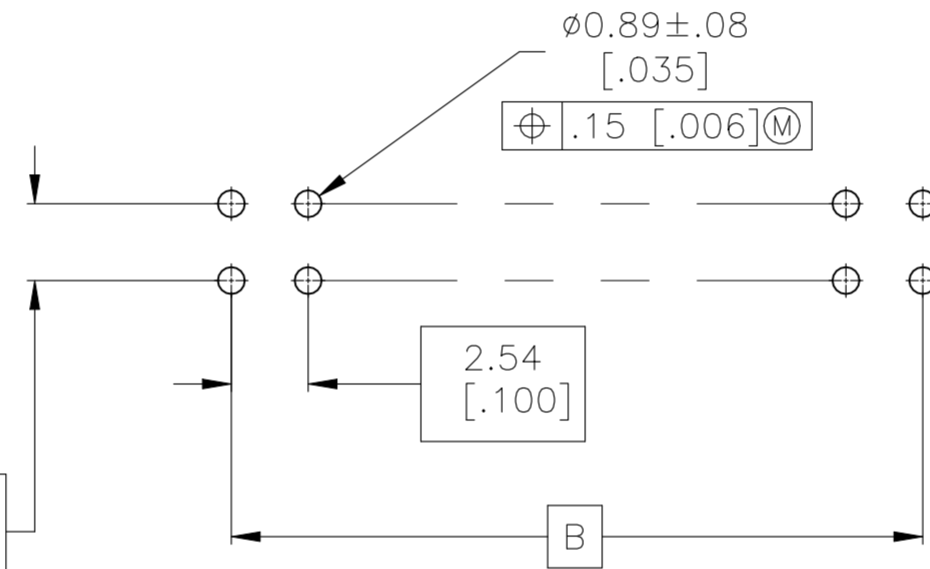
REVISIONS				
P	LTR	DESCRIPTION	DATE	APVD
H		RESIN SUPPLIER CHANGE FOR THE HOUSING	02DEC2021	SCB KJK



△14 OBSOLETE PARTS



SECTION X-X



RECOMMENDED PC BD LAYOUT

△14	△9	35.56 [1.400]	37.97 [1.495]	30	△10	5-146219-8
△14	△9	27.94 [1.100]	30.35 [1.195]	24	△10	5-146219-7
△14	△9	99.06 [3.900]	101.47 [3.995]	80	△10	5-146219-6
△14	△9	73.66 [2.900]	76.07 [2.995]	60	△10	5-146219-5
△14	△9	48.26 [1.900]	50.67 [1.995]	40	△10	5-146219-4
△14	△9	22.86 [.900]	25.27 [.995]	20	△10	5-146219-3
△11	△9	10.16 [.400]	12.57 [.495]	10	△10	5-146219-2
△14	△12	-	2.41 [.095]	2	△10	5-146219-1
△13	△4	35.56 [1.400]	37.97 [1.495]	30		146219-8
△13	△4	27.94 [1.100]	30.35 [1.195]	24		146219-7
△13	△4	99.06 [3.900]	101.47 [3.995]	80		146219-6
△13	△4	73.66 [2.900]	76.07 [2.995]	60		146219-5
△13	△4	48.26 [1.900]	50.67 [1.995]	40		146219-4
	△4	22.86 [.900]	25.27 [.995]	20		146219-3
	△11	10.16 [.400]	12.57 [.495]	10		146219-2
△13	△12	-	2.41 [.095]	2		146219-1
FINISH		B	A	NO OF POSN	PART NUMBER	

- △1 DATE CODE AND PART NUMBER ARE MARKED IN APPROXIMATE LOCATION SHOWN.
- △2 THESE DIMENSIONS PERTAIN TO CAVITY CENTERLINES ONLY, NOT TO CONTACT LOCATIONS
- △3 TOLERANCE IS NON-CUMULATIVE
- △4 DUPLEX PLATED: .000030 GOLD ON CONTACT AREA ONLY, .000150-.000300 BRIGHT TIN-LEAD ON SOLDER LEADS, ALL OVER .000050 MIN NICKEL.
- △5 POINT OF MEASUREMENT FOR PLATING THICKNESS (INSIDE CONTACT BEAMS)
- △6 HSG: FLAME RETARDANT POLYESTER PCT, COLOR:BLACK
- △7 CONTACT: PHOS. BRONZE
- △8 TE LOGO AND CSA LOGO ARE MOLDED INTO HOUSING.
- △9 DUPLEX PLATED: .000030 GOLD ON CONTACT AREA ONLY, .000150-.000300 MATTE TIN ON SOLDER LEADS, ALL OVER .000050 MIN NICKEL.
- △10 ROHS 2002 /95/EC COMPLIANT.
- △11 NO PART NUMBER MARKING REQUIRED ON THIS PART.
- △12 2 POSITION PART HAS THE DATE CODE OPPOSITE OF TE LOGO.
- △13 OBSOLETE PARTS: OBSOLETE CIS STREAMLINING PER D.RENAUD/D.SINISI

THIS DRAWING IS A CONTROLLED DOCUMENT.		DWN J KNAUB 12-12-94	TE Connectivity	
DIMENSIONS: mm [INCHES]		CHK A GABANY 12-12-94		
TOLERANCES UNLESS OTHERWISE SPECIFIED:		APVD A GABANY 12-12-94	NAME ASSEMBLY, MOD IV, DBL ROW, .100 X .100 VERTICAL MOUNTED, CLOSED ENTRY	
0 PLC ± - 1 PLC ± - 2 PLC ± - 3 PLC ± - 4 PLC ± - ANGLES ± -		PRODUCT SPEC -	APPLICATION SPEC -	RESTRICTED TO -
MATERIAL △6 △7	FINISH △4 △9	WEIGHT -	SIZE A2	CAGE CODE 00779
CUSTOMER DRAWING			DRAWING NO C=146219	SCALE 4:1
			SHEET 1 OF 1	REV H