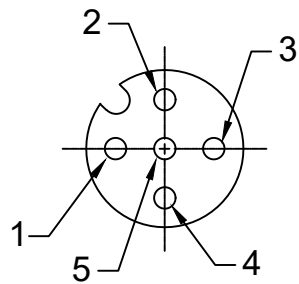


FEMALE FACE VIEW

5-POLE



WIRING DIAGRAM

- 1 BROWN
- 2 WHITE
- 3 BLUE
- 4 BLACK
- 5 GRAY

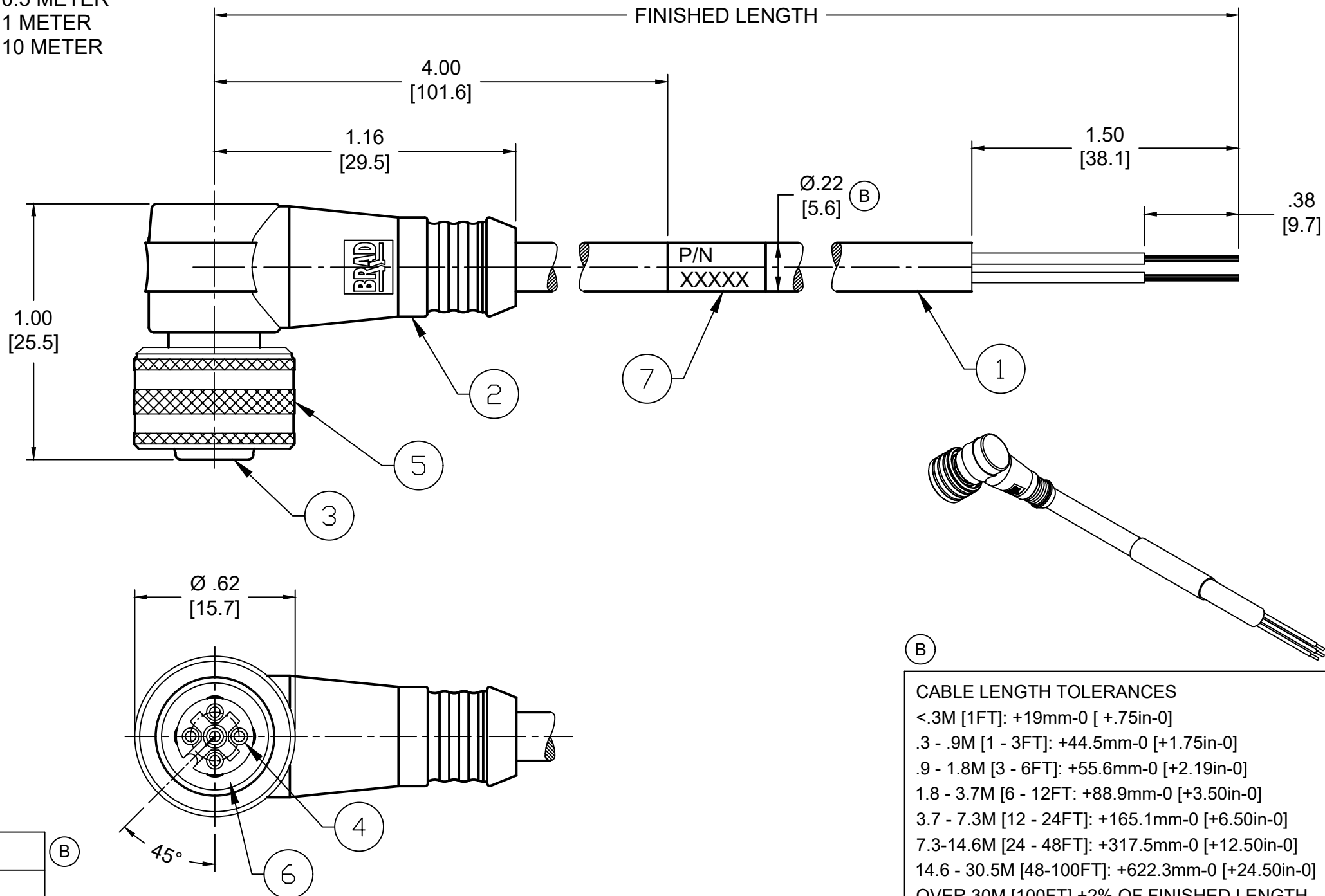
(B)
PART NUMBER LEGEND
W05001A09M020

FINISHED LENGTH
M005 = 0.5 METER
M010 = 1 METER
M100 = 10 METER

PART NO	ENGINEERING NO.	FINISHED LENGTH
1200790223	W05001A09M020	2M [6FT 7 IN]
1200790203	W05001A09M050	5M [16FT 5 IN]
1200790205	W05001A09M100	10M [32FT 10 IN]

NOTES:

1. MATERIAL: SEE TABLE
2. FINISH: SEE TABLE
3. ELECTRICAL:
VOLTAGE: 250V
CURRENT: 4A
4. TEMP RATING: -20°TO +105°C (B)
5. PROTECTION: IP67/69K (WHEN MATED)
6. CSA CERTIFIED FILE: LR6837 (B)
7. ALL DIMENSIONS ARE FOR REFERENCE
UNLESS TOLERANCED OR NOTED OTHERWISE



(B)

CABLE LENGTH TOLERANCES

<.3M [1FT]:	+19mm-0 [+ .75in-0]
.3 - .9M [1 - 3FT]:	+44.5mm-0 [+1.75in-0]
.9 - 1.8M [3 - 6FT]:	+55.6mm-0 [+2.19in-0]
1.8 - 3.7M [6 - 12FT]:	+88.9mm-0 [+3.50in-0]
3.7 - 7.3M [12 - 24FT]:	+165.1mm-0 [+6.50in-0]
7.3-14.6M [24 - 48FT]:	+317.5mm-0 [+12.50in-0]
14.6 - 30.5M [48-100FT]:	+622.3mm-0 [+24.50in-0]
OVER 30M [100FT]:	+2% OF FINISHED LENGTH

ITEM	DESCRIPTION	MATERIAL	FINISH
7	WRAP LABEL	VINYL	BLACK/YELLOW
6	O-RING	VITON	GREEN
5	COUPLER	BRASS	NICKEL PLATED
4	CONTACT SOCKET	COPPER ALLOY	GOLD OVER NICKEL
3	INSERT	PUR	BLACK
2	OVERMOLD	PUR	YELLOW
1	#22/5 CABLE	PVC	YELLOW

THIS DRAWING CONTAINS INFORMATION THAT IS PROPRIETARY TO MOLEX ELECTRONIC TECHNOLOGIES, LLC AND SHOULD NOT BE USED WITHOUT WRITTEN PERMISSION

FUNCTIONAL SYMBOLS	DIMENSION UNITS	SCALE	CURRENT REV DESC: ADDED ITEM-7, CSA NUMBER, PN LEGEND, CABLE DIA & TOL CHART, MODIFIED MATERIAL NUMBER CHART.																		
$F_A=0$	INCH/MM	NTS																			
$F_P=0$	GENERAL TOLERANCES (UNLESS SPECIFIED)																				
$F_P=0$	<table border="1"> <thead> <tr> <th></th> <th>mm</th> <th>INCH</th> </tr> </thead> <tbody> <tr> <td>4 PLACES</td> <td>±----</td> <td>±----</td> </tr> <tr> <td>3 PLACES</td> <td>±----</td> <td>±----</td> </tr> <tr> <td>2 PLACES</td> <td>±----</td> <td>±----</td> </tr> <tr> <td>1 PLACE</td> <td>±----</td> <td>±----</td> </tr> <tr> <td>0 PLACES</td> <td>±----</td> <td>±----</td> </tr> </tbody> </table>				mm	INCH	4 PLACES	±----	±----	3 PLACES	±----	±----	2 PLACES	±----	±----	1 PLACE	±----	±----	0 PLACES	±----	±----
	mm	INCH																			
4 PLACES	±----	±----																			
3 PLACES	±----	±----																			
2 PLACES	±----	±----																			
1 PLACE	±----	±----																			
0 PLACES	±----	±----																			
DIVISIONAL SYMBOLS	EC NO: 702709 DRWN: ABENJAMINLW 2021/09/24 CHK'D: RSTONE 2022/04/11 APPR: BWOODMAN 2022/04/16 INITIAL REVISION: DRWN: TWOLDEGE 2009/07/06 APPR: JFMURPHY 2009/07/20																				
DRAFT WHERE APPLICABLE MUST REMAIN WITHIN DIMENSIONS		THIRD ANGLE PROJECTION	DRAWING: A3-SIZE SERIES: 120079 MATERIAL NUMBER: SEE CHART CUSTOMER: GENERAL MARKET SHEET NUMBER: 1 OF 1																		

molex
 MICRO-CHANGE ULTRA LOCK, M12
 5-POLE, FEMALE, 90DEG, SINGLE KEY,
 #22 AWG
 PRODUCT CUSTOMER DRAWING
 DOCUMENT NUMBER: SD-120079-012
 DOC TYPE: PSD
 DOC PART: 001
 REVISION: B