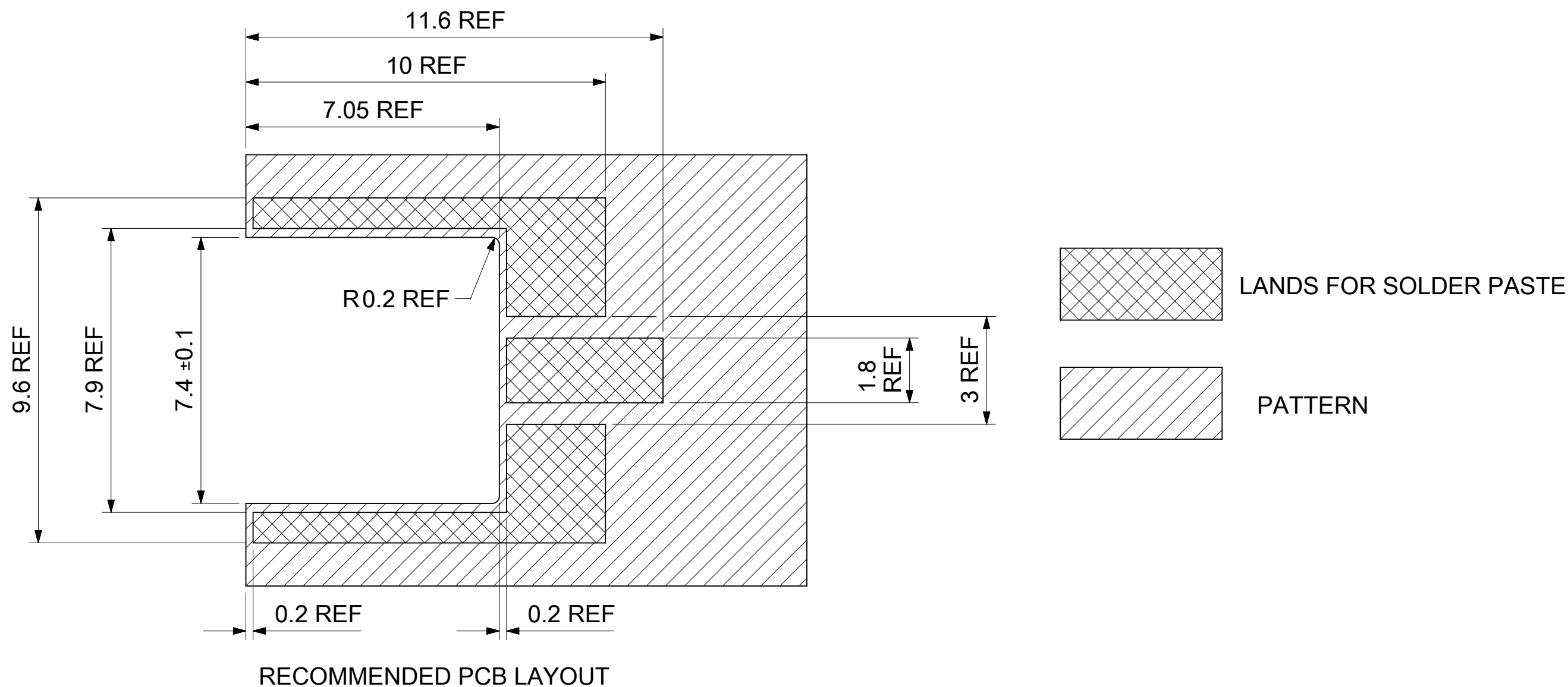
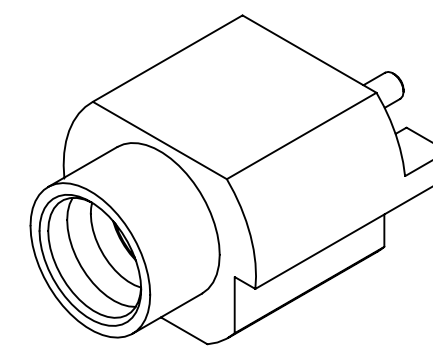
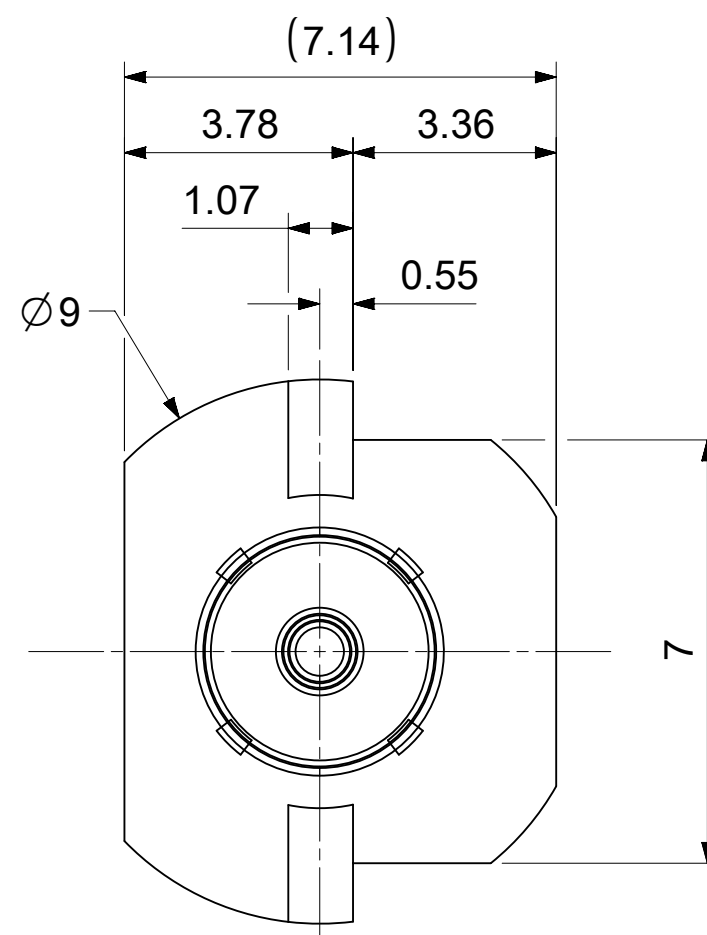
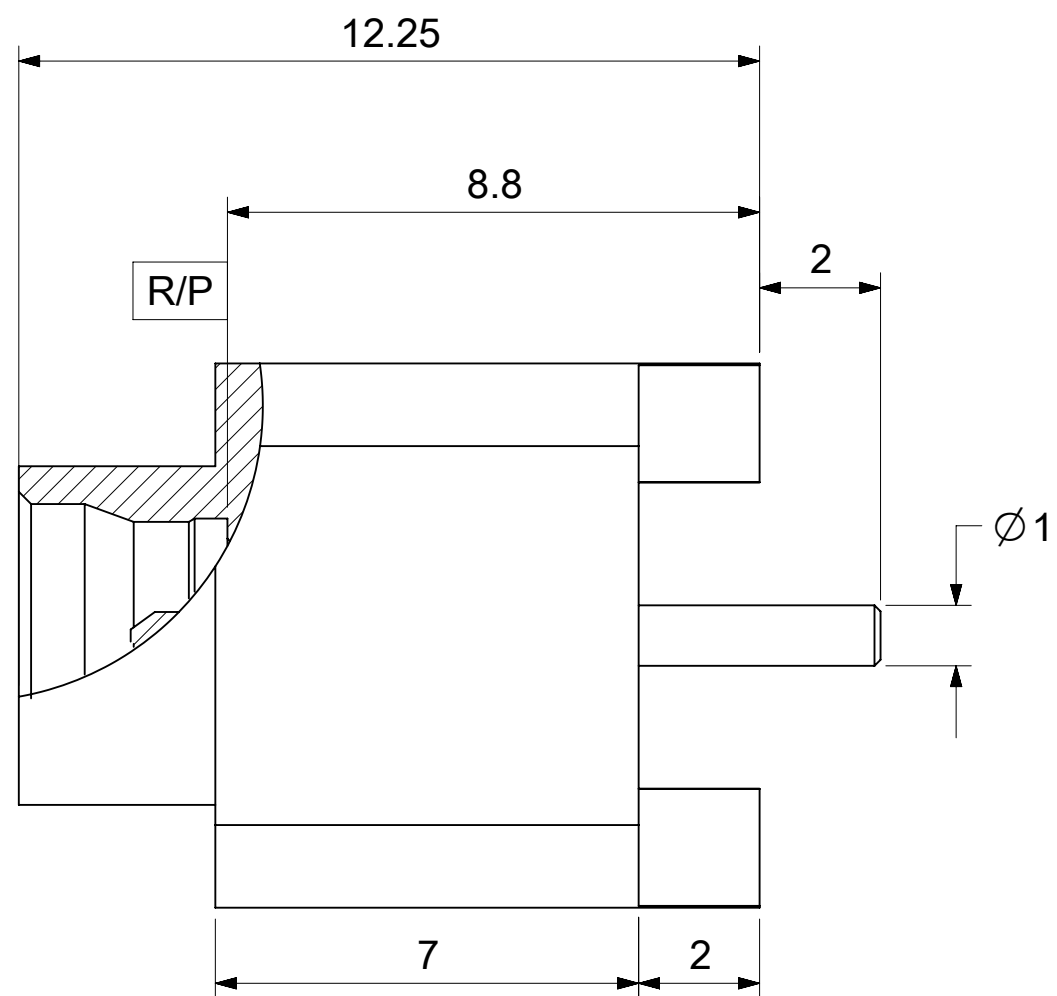


MATERIALS AND FINISHES:

BODY: BRASS
 PLATED GOLD (1μ-in MIN)
 OVER NICKEL PHOSPHOR (80μ-in MIN)
 OVER COPPER (20μ-in MIN)

CENTER CONTACT: BRASS
 PLATED GOLD (8μ-in MIN)
 OVER NICKEL PHOSPHOR (80μ-in MIN)
 OVER COPPER (20μ-in MIN)

INSULATOR: PEEK/PTFE



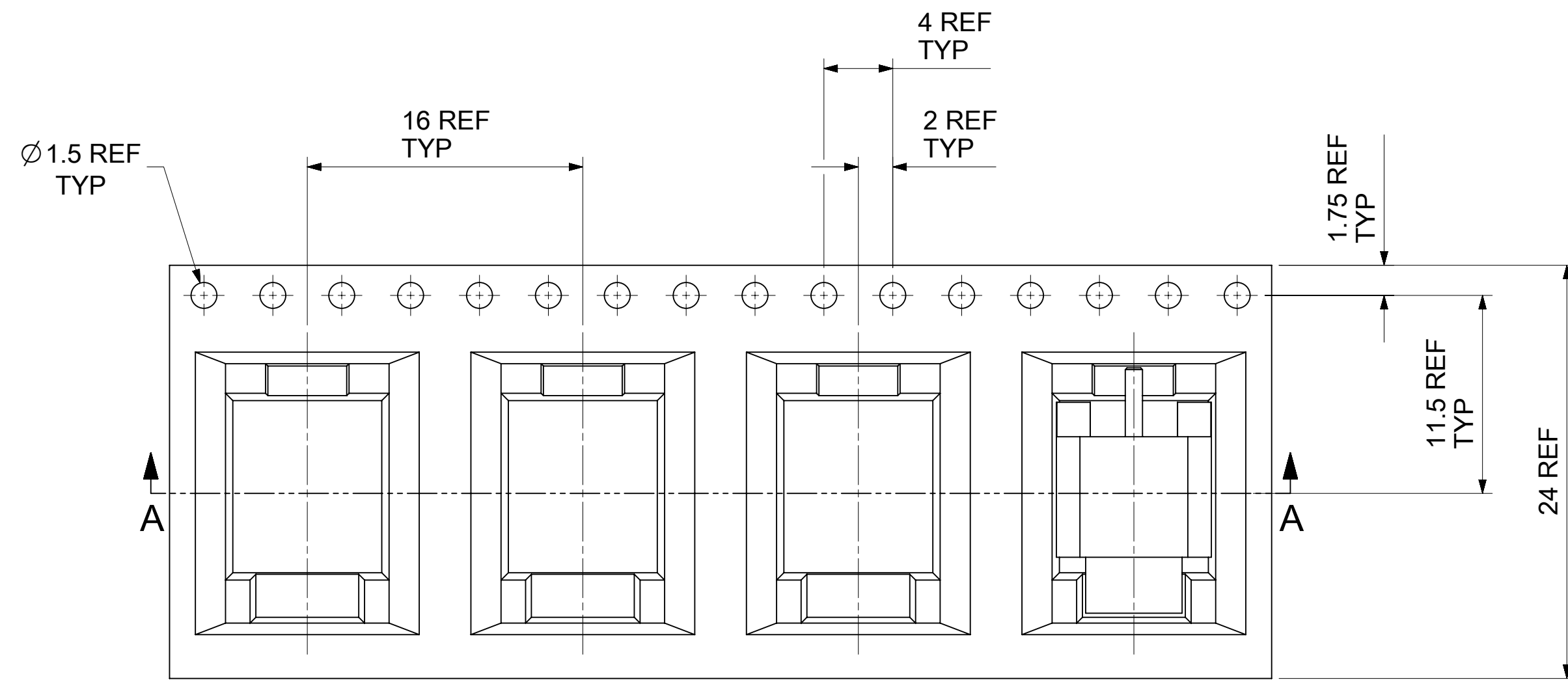
NOTE: DUE TO THE POTENTIAL LARGE VARIATION OF PERFORMANCE DEPENDING ON PCB AND LINE PARAMETERS, WE RECOMMEND THE USER TO PROCESS A RF ANALYZE OF THE CONNECTOR MOUNTED ON HIS PCB.

| | | |
|------------|------------------------|-----------------|
| 73420-5501 | 73420-5500 TAPE & REEL | SEE SHEET 2 & 3 |
| 73420-5500 | 73420-5500 TRAY | 895420040 |
| PART NO. | DESCRIPTION | PACKING PSEC |

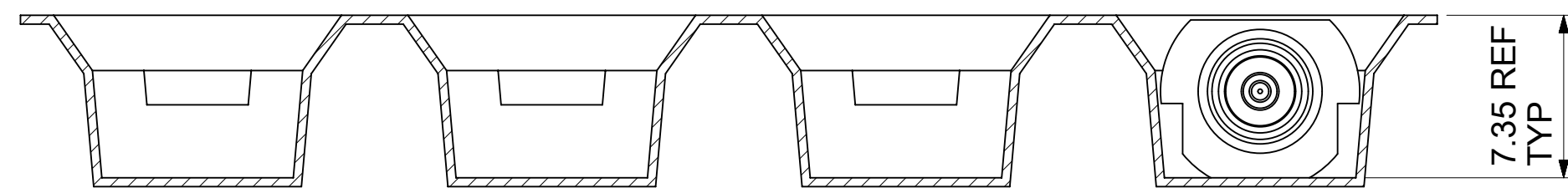
| | |
|---------------|-----------------------|
| PS-89675-3760 | ELEC/MECH PERFORMANCE |
| SPECIFICATION | DESCRIPTION |

| | | | | |
|-----------------|----|--------------|------------|----------|
| DOCUMENT STATUS | P1 | RELEASE DATE | 2023/01/10 | 04:38:46 |
|-----------------|----|--------------|------------|----------|

| | | | | | | | | | |
|---|--|-------------------|--|---|--|-----------------|--|--------------------------------|--|
| THIS DRAWING CONTAINS INFORMATION THAT IS PROPRIETARY TO MOLEX ELECTRONIC TECHNOLOGIES, LLC AND SHOULD NOT BE USED WITHOUT WRITTEN PERMISSION | | | | | | | | | |
| DIMENSION UNITS | | SCALE | | CURRENT REV DESC: ADD RECOMMENDED PCB LAYOUT PER EWR #15622-A | | | | molex | |
| mm | | NTS | | | | | | | |
| GENERAL TOLERANCES (UNLESS SPECIFIED) | | | | SMP-MAX PLUG SNAP TYPE PCB EDGE MOUNT SMPMAX-P/PCB | | | | | |
| ANGULAR TOL ± 2.0° | | | | PRODUCT CUSTOMER DRAWING | | | | | |
| 4 PLACES ± | | EC NO: 734242 | | 2023/01/05 | | DOCUMENT NUMBER | | | |
| 3 PLACES ± | | DRWN: RYEH | | 2023/01/10 | | SD-73420-550 | | DOC TYPE DOC PART REVISION | |
| 2 PLACES ± 0.13 | | CHK'D: YCHENG | | 2023/01/10 | | PSD | | 001 A2 | |
| 1 PLACE ± 0.25 | | APPR: YCHENG | | 2023/01/10 | | MATERIAL NUMBER | | CUSTOMER | |
| 0 PLACES ± 0.38 | | INITIAL REVISION: | | 2014/05/07 | | SEE TABLE | | GENERAL MARKET | |
| DRAFT WHERE APPLICABLE MUST REMAIN WITHIN DIMENSIONS | | DRWN: RYEH | | 2014/10/23 | | SHEET NUMBER | | 1 OF 3 | |
| | | APPR: YCHENG | | THIRD ANGLE PROJECTION | | DRAWING | | SERIES | |
| | | | | C-SIZE | | 73420 | | | |



VIEWS FOR 73420-5501

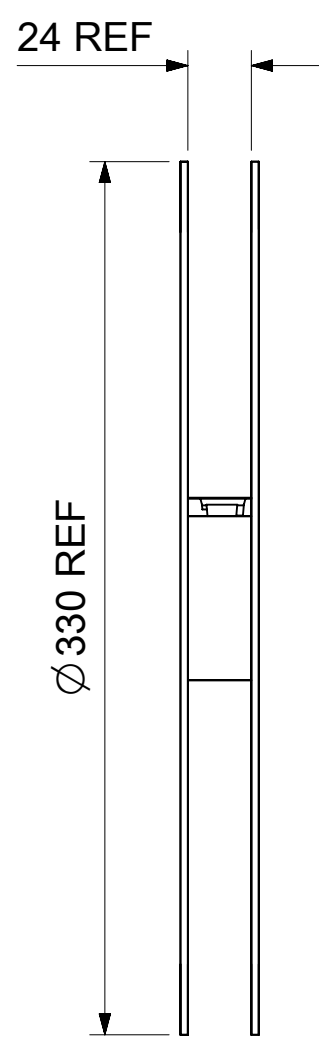


SECTION A-A

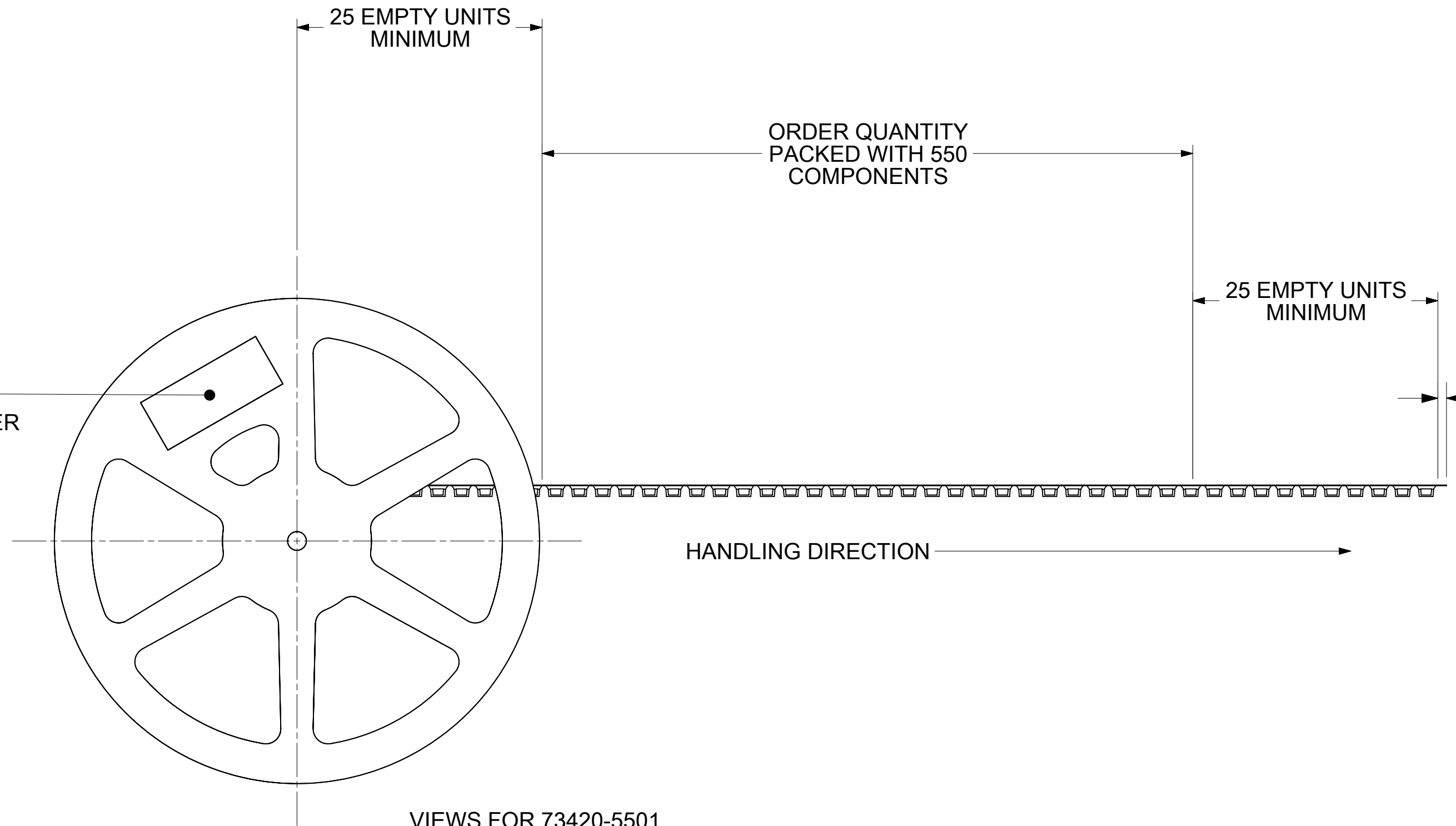
THIS DRAWING CONTAINS INFORMATION THAT IS PROPRIETARY TO MOLEX ELECTRONIC TECHNOLOGIES, LLC AND SHOULD NOT BE USED WITHOUT WRITTEN PERMISSION

| | | | | | | | |
|--|--|-----------------------------|--|--|--|---------------|--|
| DIMENSION UNITS | | SCALE | | CURRENT REV DESC: ADD RECOMMENDED PCB LAYOUT PER EWR #15622-A | | | |
| mm | | NTS | | <p>molex</p> <p>SMP-MAX PLUG SNAP TYPE PCB EDGE MOUNT SMPMAX-P/PCB</p> <p>PRODUCT CUSTOMER DRAWING</p> <p>DOCUMENT NUMBER: SD-73420-550 DOC TYPE: PSD DOC PART: 001 REVISION: A2</p> <p>MATERIAL NUMBER: SEE TABLE CUSTOMER: GENERAL MARKET SHEET NUMBER: 2 OF 3</p> | | | |
| GENERAL TOLERANCES (UNLESS SPECIFIED) | | | | | | | |
| ANGULAR TOL ± 2.0° | | | | | | | |
| 4 PLACES ± | | EC NO: 734242 | | | | | |
| 3 PLACES ± | | DRWN: RYEH 2023/01/10 | | | | | |
| 2 PLACES ± 0.13 | | CHK'D: YCHENG 2023/01/10 | | | | | |
| 1 PLACE ± 0.25 | | APPR: YCHENG 2023/01/10 | | | | | |
| 0 PLACES ± 0.38 | | INITIAL REVISION: | | 2014/05/07 | | 2014/10/23 | |
| DRAFT WHERE APPLICABLE MUST REMAIN WITHIN DIMENSIONS | | THIRD ANGLE PROJECTION | | DRAWING: C-SIZE | | SERIES: 73420 | |

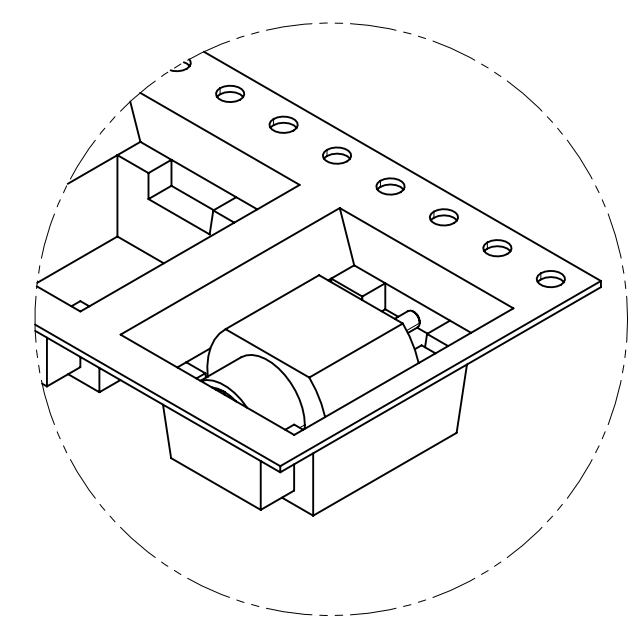
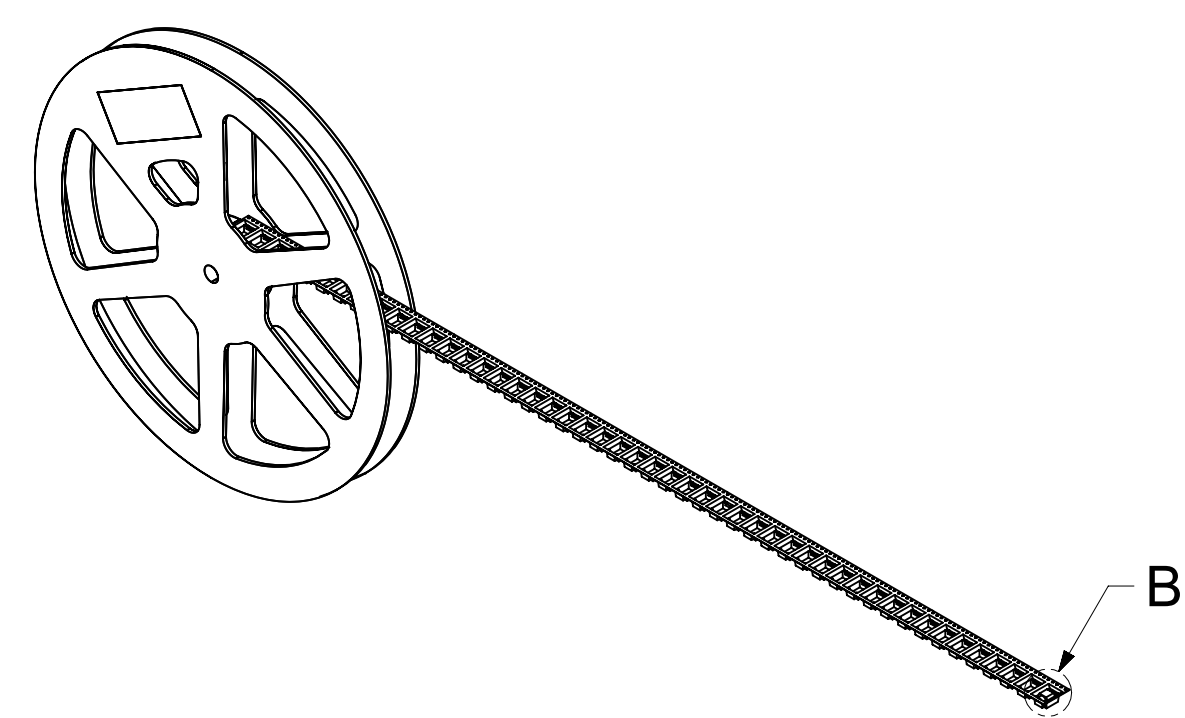
| | | | | |
|-----------------|----|--------------|------------|----------|
| DOCUMENT STATUS | P1 | RELEASE DATE | 2023/01/10 | 04:38:46 |
|-----------------|----|--------------|------------|----------|



LABEL:
 -ORDER NUMBER
 -QUANTITY
 -PART NUMBER
 -LOT NUMBER



VIEWS FOR 73420-5501



DETAIL B

THIS DRAWING CONTAINS INFORMATION THAT IS PROPRIETARY TO MOLEX ELECTRONIC TECHNOLOGIES, LLC AND SHOULD NOT BE USED WITHOUT WRITTEN PERMISSION

| | | | | | | | | | | | |
|--|--|-------|--|---|--|---------|--|--|--|--------------|--|
| DIMENSION UNITS | | SCALE | | CURRENT REV DESC: ADD RECOMMENDED PCB LAYOUT PER EWR #15622-A | | | | molex | | | |
| mm | | NTS | | | | | | | | | |
| GENERAL TOLERANCES (UNLESS SPECIFIED) | | | | | | | | SMP-MAX PLUG SNAP TYPE PCB EDGE MOUNT SMPMAX-P/PCB | | | |
| ANGULAR TOL ± 2.0° | | | | EC NO: 734242 | | | | PRODUCT CUSTOMER DRAWING | | | |
| 4 PLACES ± | | | | DRWN: RYEH 2023/01/05 | | | | DOCUMENT NUMBER | | | |
| 3 PLACES ± | | | | CHK'D: YCHENG 2023/01/10 | | | | SD-73420-550 | | | |
| 2 PLACES ± 0.13 | | | | APPR: YCHENG 2023/01/10 | | | | DOC TYPE DOC PART REVISION | | | |
| 1 PLACE ± 0.25 | | | | INITIAL REVISION: | | | | PSD 001 A2 | | | |
| 0 PLACES ± 0.38 | | | | DRWN: RYEH 2014/05/07 | | | | MATERIAL NUMBER | | | |
| | | | | APPR: YCHENG 2014/10/23 | | | | CUSTOMER | | | |
| DRAFT WHERE APPLICABLE MUST REMAIN WITHIN DIMENSIONS | | | | THIRD ANGLE PROJECTION | | DRAWING | | SERIES | | SHEET NUMBER | |
| | | | | | | C-SIZE | | 73420 | | 3 OF 3 | |

| | | | | |
|-----------------|----|--------------|------------|----------|
| DOCUMENT STATUS | P1 | RELEASE DATE | 2023/01/10 | 04:38:46 |
|-----------------|----|--------------|------------|----------|