

MATERIALS AND FINISHES:

FOR STANDARD SMP

BODY, CONTACT: BERYLLIUM COPPER
 PLATED: GOLD (50μ-in MIN)
 OVER NICKEL (100μ-in MIN)

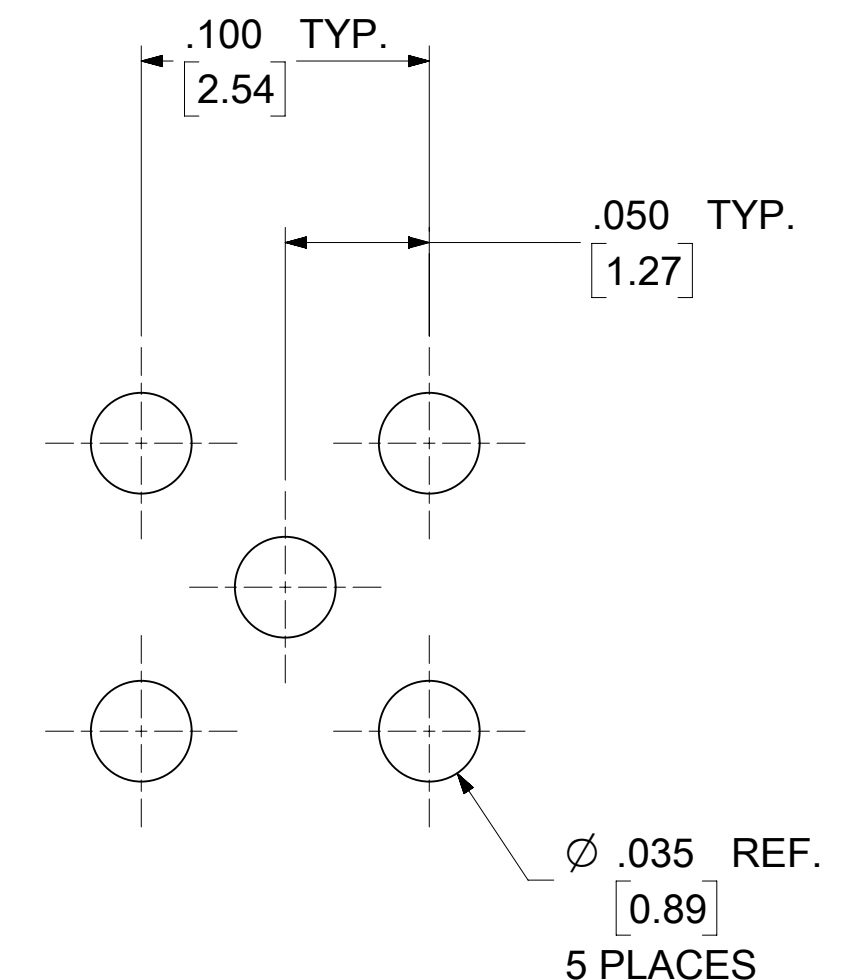
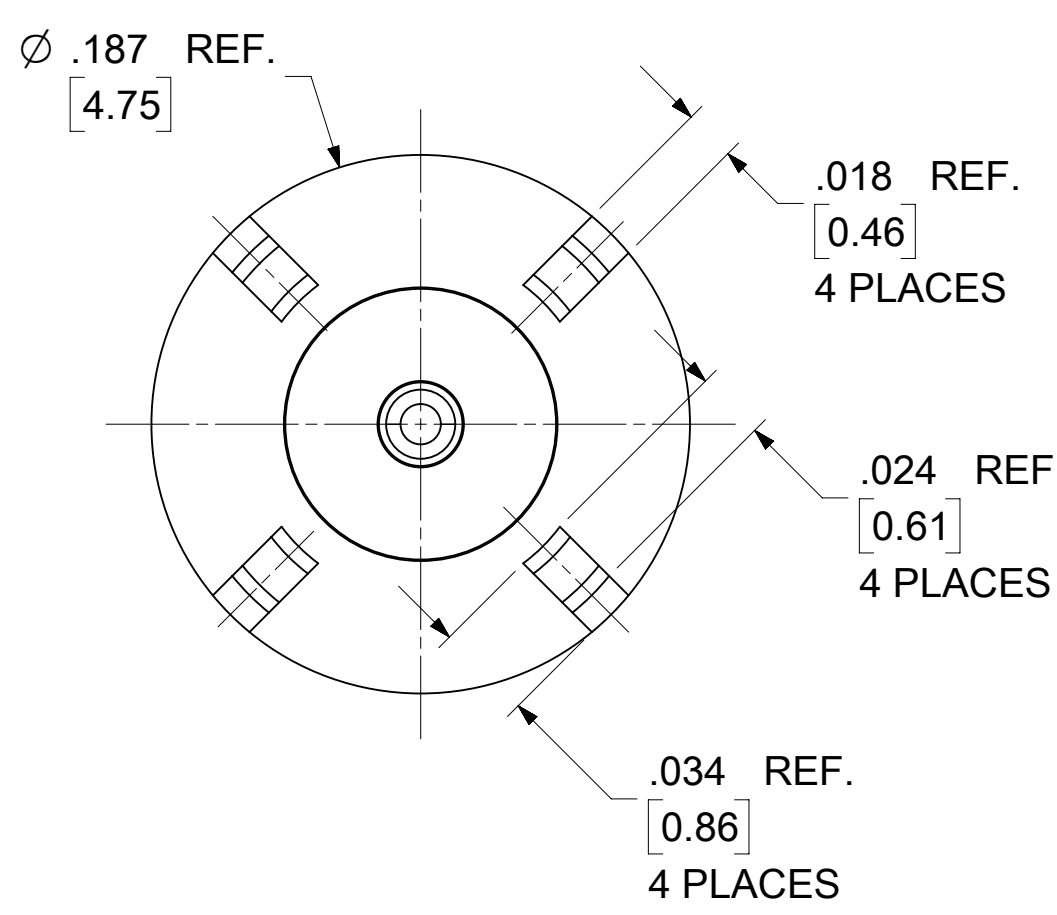
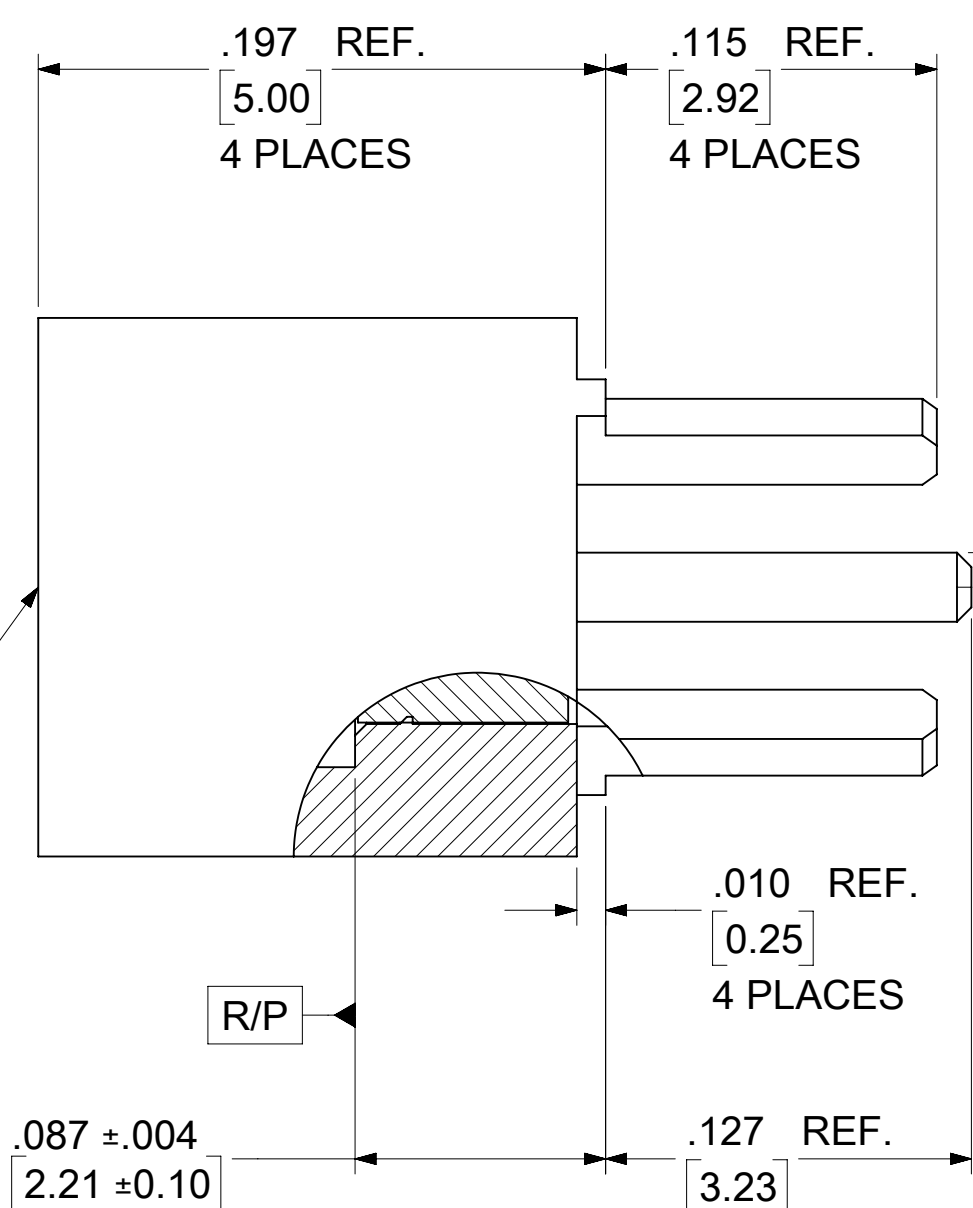
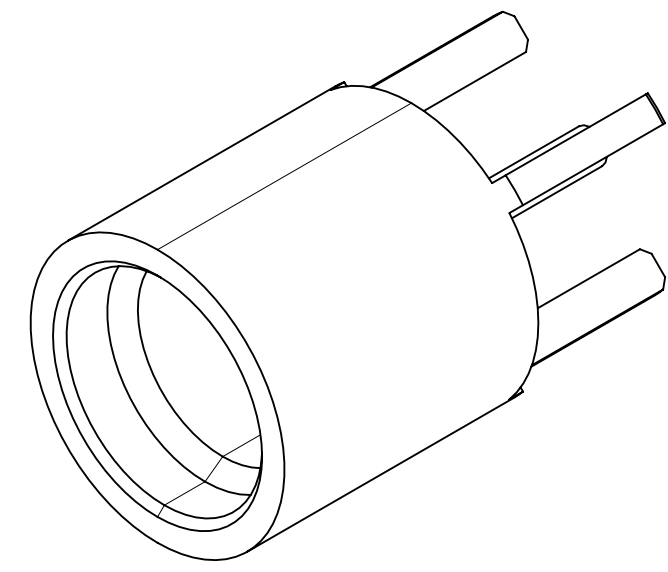
INSULATOR: PTFE

MATERIALS AND FINISHES:

FOR NON-MAGNETIC SMP

BODY, CONTACT: BERYLLIUM COPPER
 PLATED: GOLD (8μ-in MIN)
 OVER NICKEL PHOSPHOR (80μ-in MIN)

INSULATOR: PTFE



LABEL FORMAT FOR
 73415-7012

PART NUMBER: 73415-7010
 ORDER NUMBER: 73415-7012
 MOLEX
 DATE: YYWW

73415-7012	STANDARD	73415-7010 ONE PER BAG	895420470
73415-7011	NON-MAGNETIC	73415-7011 TRAY	895420040
73415-7010	STANDARD	73415-7010 TRAY	895420040
PART NO.	DESCRIPTION	PACKING SPEC	

PS-89675-3320	ELEC/MECH PERFORMANCE
MIL-STD-348B, FIG. 326.4	INTERFACE SMP P SB
SPECIFICATION	DESCRIPTION

FUNCTIONAL SYMBOLS	THIS DRAWING CONTAINS INFORMATION THAT IS PROPRIETARY TO MOLEX ELECTRONIC TECHNOLOGIES, LLC AND SHOULD NOT BE USED WITHOUT WRITTEN PERMISSION		CURRENT REV DESC: ADD 73415-7012 PER EWR# 15321-C			
	DIMENSION UNITS	SCALE				
FA = 0	INCH/MM	NTS	EC NO: 718723		SMP P SMOOTH BORE VERT	
EA = 0	GENERAL TOLERANCES (UNLESS SPECIFIED)		DRWN: ELIN 2022/08/22		PCB THRU STD & NON-MAG SMP-P/PCB, EWR-3570	
EP = 0	ANGULAR TOL ± 2.0°		CHK'D: YCHENG 2022/08/30		PRODUCT CUSTOMER DRAWING	
DIVISIONAL SYMBOLS	4 PLACES	±	APPR: YCHENG 2022/08/30		DOCUMENT NUMBER	
	3 PLACES	±	INITIAL REVISION:		DOC TYPE	
	2 PLACES	± 0.25	DRWN: AROBERTSON 2008/03/17		DOC PART	
	1 PLACE	±	APPR: JWIENER 2008/03/17		REVISION	
DRAFT WHERE APPLICABLE MUST REMAIN WITHIN DIMENSIONS		THIRD ANGLE PROJECTION	DRAWING	SERIES	MATERIAL NUMBER	CUSTOMER
			C-SIZE	73415	SEE TABLE	GENERAL MARKET
						SHEET NUMBER
						1 OF 1