

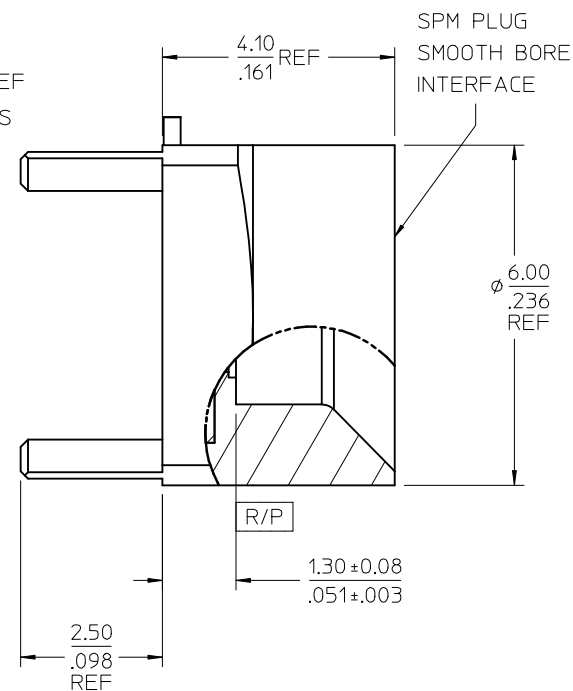
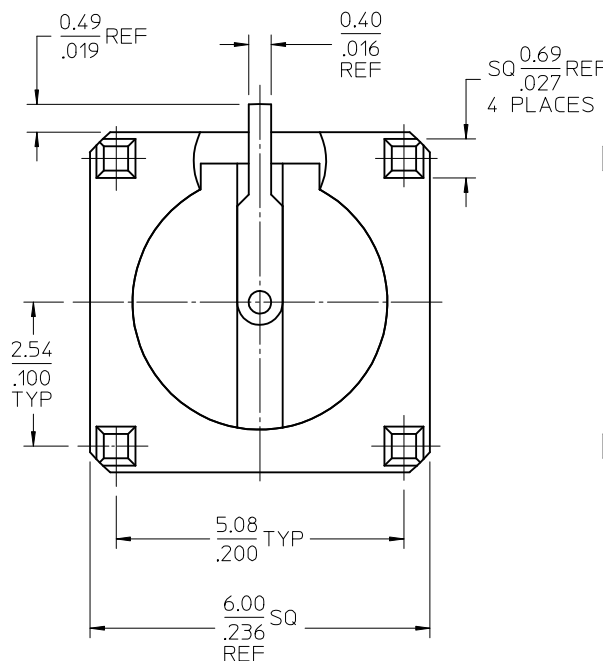
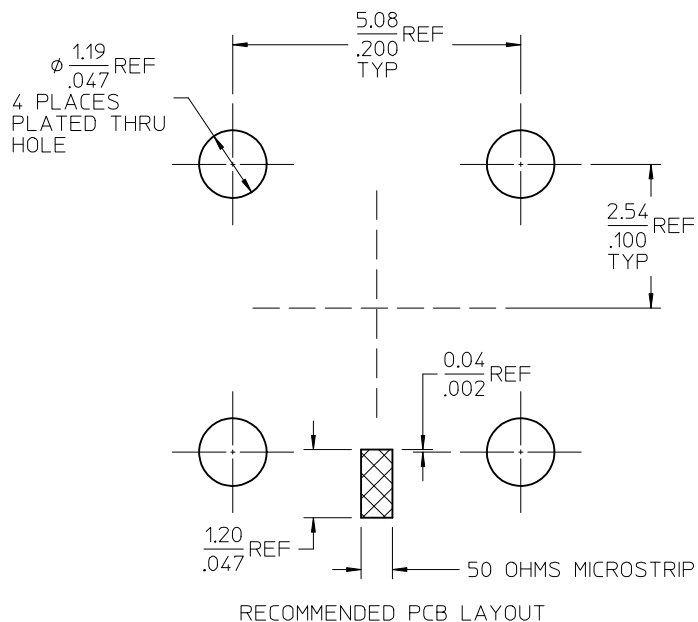
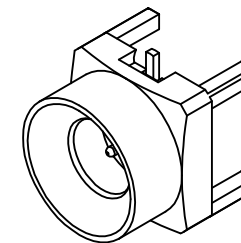
MATERIALS AND FINISHES:

BODY, CONTACT: BRASS
 PLATED: GOLD (30μ-in MIN)
 OVER NICKEL (100μ-in MIN)

INSULATOR: PEEK OR LCP

KAPTON: POLYIMIDE
 COLOR: BLACK

TAPE: SEE SHEET 2
 REEL: SEE SHEET 3



73415-3322	SINGLE PIECE PER BAG
73415-3321	TAPE & REEL WITH KAPTON TAPE
73415-3320	TAPE & REEL
PART NO.	DESCRIPTION

PS-89675-3320	PRODUCT SPECIFICATION
MIL-STD-348B, FIG. 326.4	INTERFACE SMP SB
SPECIFICATION	DESCRIPTION

CHG: ADD TOLERANCE TO DIM 1.30/.051 IN D2 ZONE. UPD MATERIALS AND FINISHES NOTE. EC NO: URF2017-0403 DRWIN:APRAKASH01 2017/06/01 CHKD:BBB 2017/06/01 APPR:AROBERTSON 2017/06/29

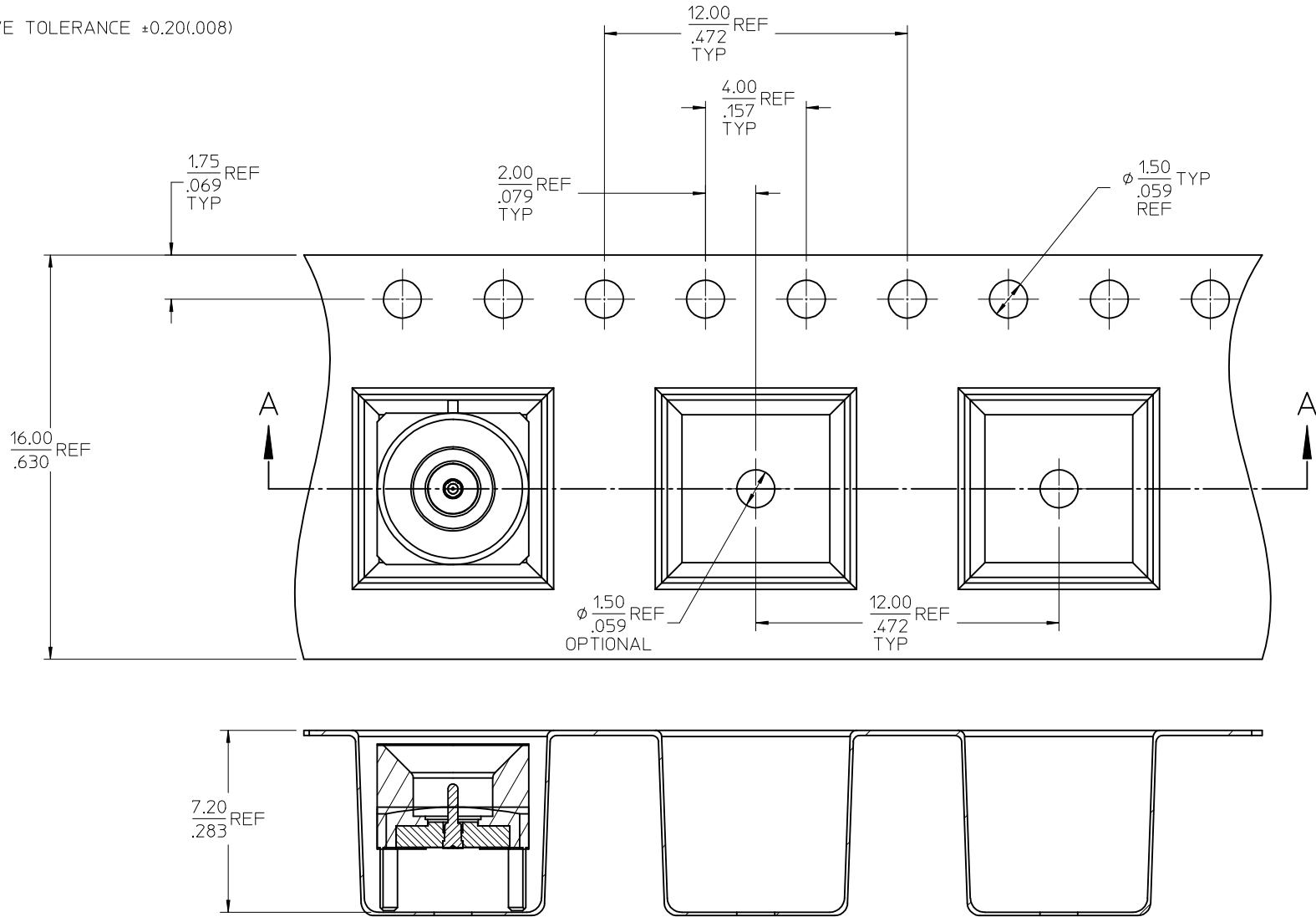
DESCRIPTION

REV: C7

QUALITY SYMBOLS	GENERAL TOLERANCES (UNLESS SPECIFIED)
▽=0	mm INCH
▽=0	4 PLACES ± --- ± ---
▽=0	3 PLACES ± --- ± .010
	2 PLACES ± 0.25 ± ---
	1 PLACE ± --- ± ---
	0 PLACE ± --- ± ---
	ANGULAR ± 2 °
	DRAFT WHERE APPLICABLE MUST REMAIN WITHIN DIMENSIONS

DIMENSION STYLE		SCALE	DESIGN UNITS	THIRD ANGLE PROJECTION
MM/IN			METRIC	
DRAWN BY	DATE	TITLE		
TEF	2001/05/21	SMP PLUG, STRAIGHT PCB SMOOTH BORE SMP-P/PCB EWR-1349		
CHECKED BY	DATE	molex		
SSS	2001/05/21	DOCUMENT NO. SD-73415-332		
APPROVED BY	DATE	SHEET NO. 1 OF 3		
JWIENER	2010/11/11			
MATERIAL NO.	SIZE	THIS DRAWING CONTAINS INFORMATION THAT IS PROPRIETARY TO MOLEX INCORPORATED AND SHOULD NOT BE USED WITHOUT WRITTEN PERMISSION		
SEE TABLE	C			

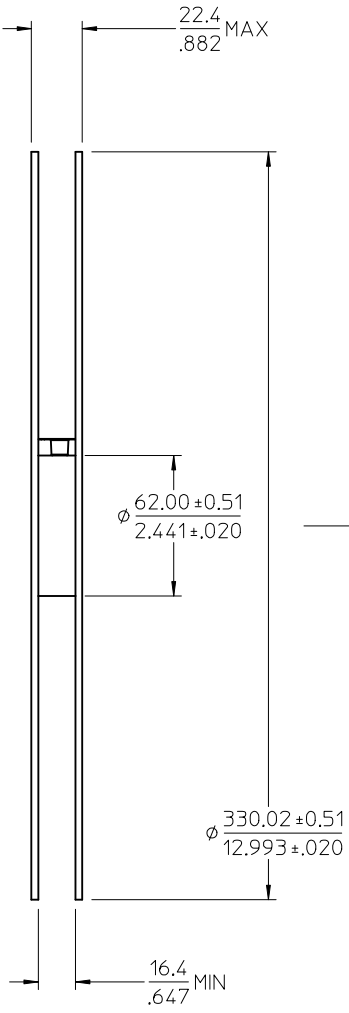
NOTE:
1. 10 PITCHES CUMULATIVE TOLERANCE ±0.20(.008)



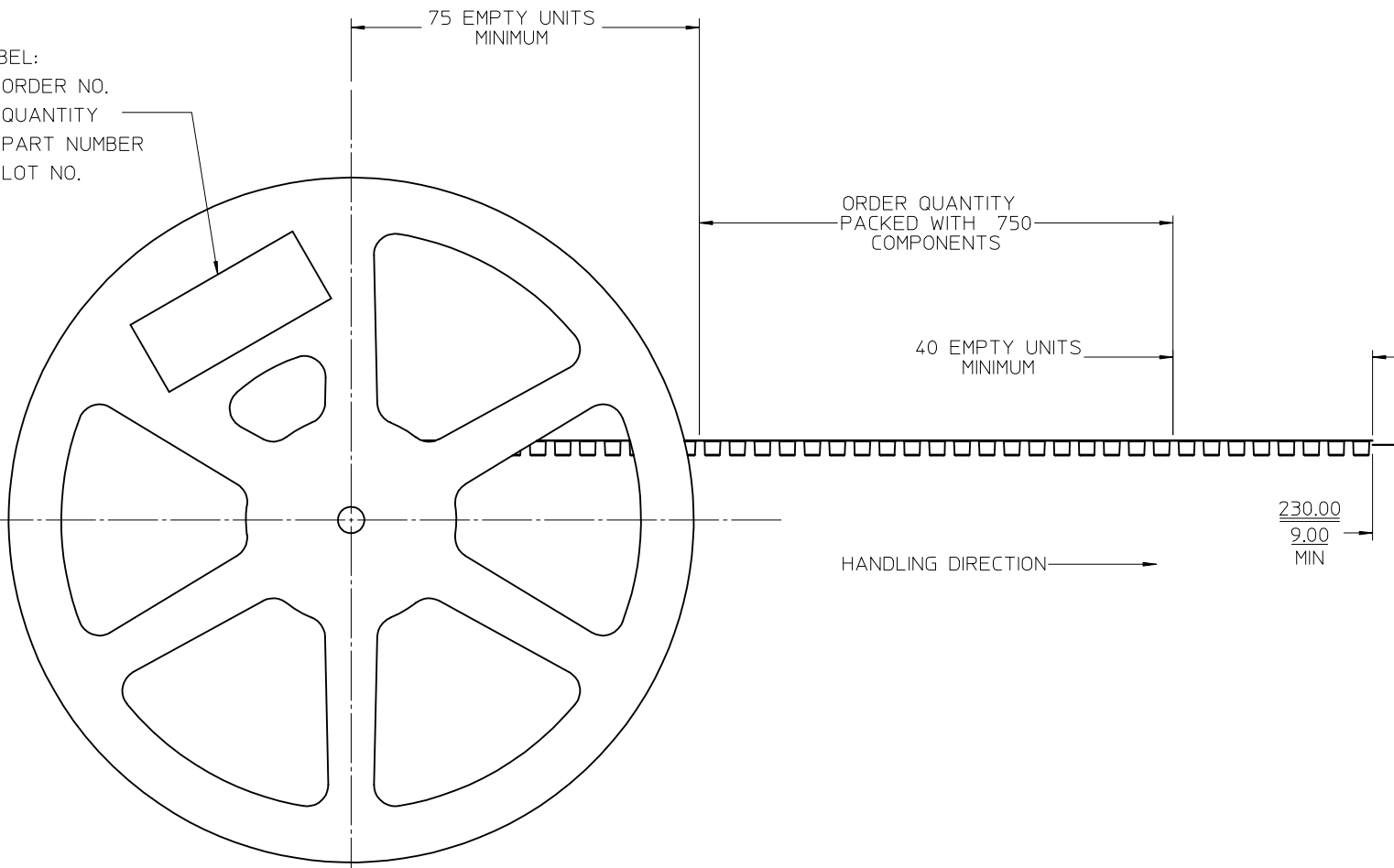
SECTION A-A

CHG: SEE SHEET 1 EC NO: URF2017-0403 DRWN: APRKASHO1 2017/06/01 CHKD: HBB 2017/06/01 APPR: AROBERTSON 2017/06/29	QUALITY SYMBOLS ▽=0 ▽=0 ▽=0	GENERAL TOLERANCES (UNLESS SPECIFIED)		DIMENSION STYLE MM/IN	SCALE METRIC	THIRD ANGLE PROJECTION
		4 PLACES ± --- ± --- 3 PLACES ± --- ± .010 2 PLACES ± 0.25 ± --- 1 PLACE ± --- ± --- 0 PLACE ± --- ± ---	mm INCH ± --- ± --- ± .010 ± --- ± 0.25 ± --- ± --- ± --- ± --- ± ---	DRAWN BY DATE TEF 2001/05/21	TITLE SMP PLUG, STRAIGHT PCB SMOOTH BORE SMP-P/PCB EWR-1349	
		ANGULAR ± 2 °		CHECKED BY DATE SSS 2001/05/21	APPROVED BY DATE JW IENER 2010/11/11	
		DRAFT WHERE APPLICABLE MUST REMAIN WITHIN DIMENSIONS		MATERIAL NO. SEE SHEET 1	DOCUMENT NO. SD-73415-332	

THIS DRAWING CONTAINS INFORMATION THAT IS PROPRIETARY TO MOLEX INCORPORATED AND SHOULD NOT BE USED WITHOUT WRITTEN PERMISSION



LABEL:
 - ORDER NO.
 - QUANTITY
 - PART NUMBER
 - LOT NO.



CHG: SEE SHEET 1 EC NO: URF2017-0403 DRW: APRAKASHO1 2017/06/01 CHK: DBB 2017/06/01 APPR: ARBERTSON 2017/06/29	QUALITY SYMBOLS ▽=0 ▽=0 ▽=0	GENERAL TOLERANCES (UNLESS SPECIFIED) <table border="1"> <thead> <tr> <th></th> <th>mm</th> <th>INCH</th> </tr> </thead> <tbody> <tr> <td>4 PLACES</td> <td>± ---</td> <td>± ---</td> </tr> <tr> <td>3 PLACES</td> <td>± ---</td> <td>± .010</td> </tr> <tr> <td>2 PLACES</td> <td>± 0.25</td> <td>± ---</td> </tr> <tr> <td>1 PLACE</td> <td>± ---</td> <td>± ---</td> </tr> <tr> <td>0 PLACE</td> <td>± ---</td> <td>± ---</td> </tr> </tbody> </table>		mm	INCH	4 PLACES	± ---	± ---	3 PLACES	± ---	± .010	2 PLACES	± 0.25	± ---	1 PLACE	± ---	± ---	0 PLACE	± ---	± ---	DIMENSION STYLE MM/IN DRAWN BY DATE TEF 2001/05/21 CHECKED BY DATE SSS 2001/05/21 APPROVED BY DATE JW IENER 2010/11/11	SCALE DESIGN UNITS METRIC THIRD ANGLE PROJECTION	TITLE SMP PLUG, STRAIGHT PCB SMOOTH BORE SMP-P/PCB EWR-1349 molex
		mm	INCH																				
	4 PLACES	± ---	± ---																				
	3 PLACES	± ---	± .010																				
2 PLACES	± 0.25	± ---																					
1 PLACE	± ---	± ---																					
0 PLACE	± ---	± ---																					
MATERIAL NO. SEE SHEET 1	DOCUMENT NO. SD-73415-332	SHEET NO. 3 OF 3																					
DRAFT WHERE APPLICABLE MUST REMAIN WITHIN DIMENSIONS			THIS DRAWING CONTAINS INFORMATION THAT IS PROPRIETARY TO MOLEX INCORPORATED AND SHOULD NOT BE USED WITHOUT WRITTEN PERMISSION																				
REV C7	DESCRIPTION																						