

MATERIALS AND FINISHES:

BODY: ZINC ALLOY
PLATED NICKEL

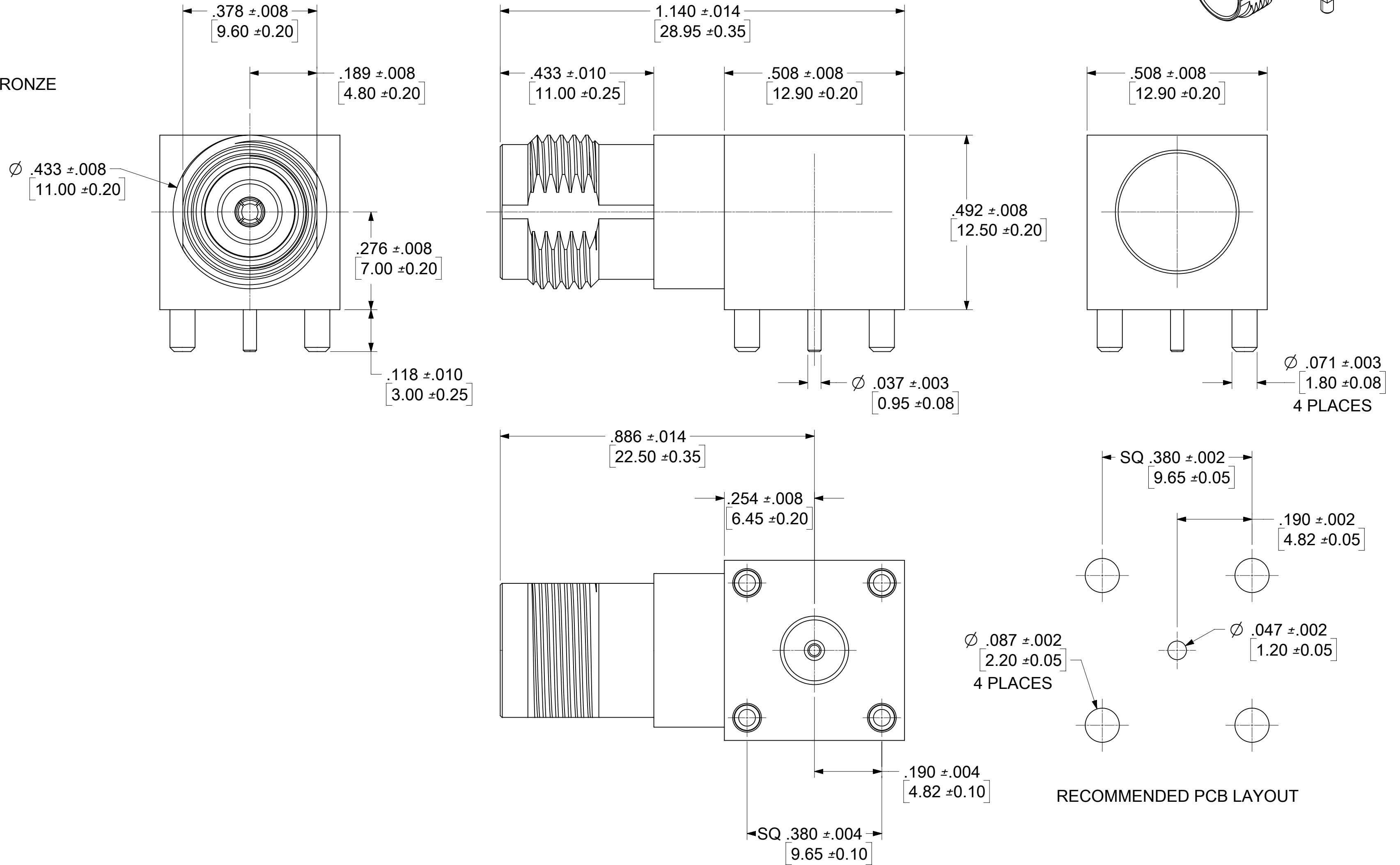
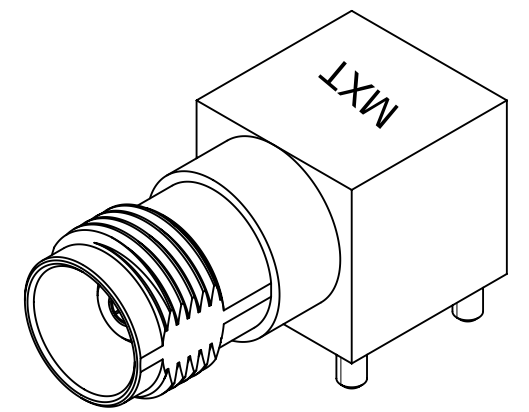
RING: BRASS
PLATED NICKEL

LEGS: BRASS
PLATED TIN

CONTACT FRONT: PHOSPHOR BRONZE
PLATED GOLD

CONTACT REAR: BRASS
PLATED GOLD

INSULATOR: TEFLON



RECOMMENDED PCB LAYOUT

73216-2710	73100-0135 ; ONE PER BAG WITH LABEL
73100-0135	TRAY
PART NO.	PACKAGING

PS-89675-1400	PRODUCT SPECIFICATION
MIL-STD-346A, FIG. 313.2	INTERFACE
SPECIFICATION	DESCRIPTION

REV	DATE	DESCRIPTION
A2	2020/4/23	ADD TOLERANCE PER EWR #13763-A

THIS DRAWING CONTAINS INFORMATION THAT IS PROPRIETARY TO MOLEX ELECTRONIC TECHNOLOGIES, LLC AND SHOULD NOT BE USED WITHOUT WRITTEN PERMISSION

DIMENSION UNITS	SCALE	CURRENT REV DESC:	molex		
INCH/MM	NTS				
GENERAL TOLERANCES (UNLESS SPECIFIED)			TNC JACK RA PCB TH 50 OHM TNC-J/PCB		
ANGULAR TOL	± 2.0°	EC NO: 636691	PRODUCT CUSTOMER DRAWING		
4 PLACES	±	DRWN: RYEH 2020/04/23	DOCUMENT NUMBER		
3 PLACES	±	CHK'D: YCHENG 2020/04/30	SD-73100-0135		
2 PLACES	±	APPR: YCHENG 2020/04/30	DOC TYPE DOC PART REVISION		
1 PLACE	±	INITIAL REVISION:	PSD 001 A3		
0 PLACES	±	DRWN: AROBERTSON 2011/03/31	MATERIAL NUMBER		
DRAFT WHERE APPLICABLE MUST REMAIN WITHIN DIMENSIONS			CUSTOMER		
THIRD ANGLE PROJECTION			GENERAL MARKET		
DRAWING			SHEET NUMBER		
C-SIZE			1 OF 1		
SERIES			73100		

DOCUMENT STATUS	P1	RELEASE DATE	2020/04/30	09:39:32
-----------------	----	--------------	------------	----------

MATERIALS AND FINISHES

BODY, CAP: ZINC ALLOY
PLATED NICKEL

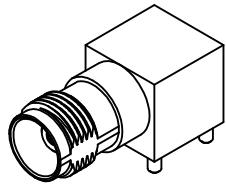
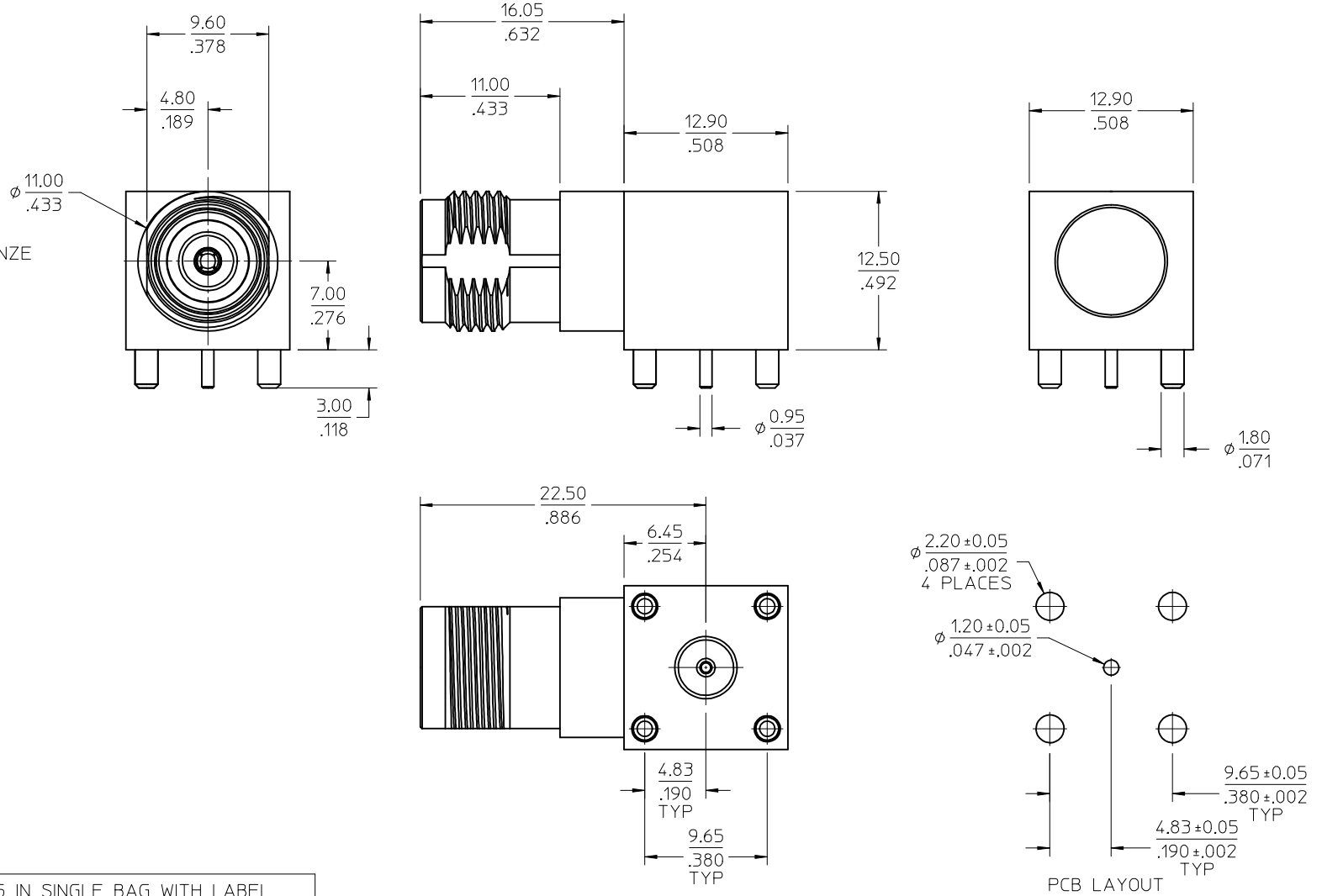
RING: BRASS
PLATED NICKEL

LEGS: BRASS
PLATED TIN

CONTACT FRONT: PHOSPHOR BRONZE
PLATED GOLD

CONTACT REAR: BRASS
PLATED GOLD

INSULATORS: TEFLON



73216-2710	1 PIECE 73100-0135 IN SINGLE BAG WITH LABEL
73100-0135	STANDARD
PART NO.	PACKAGING

PS-89675-1400	PRODUCT SPECIFICATION
MIL-STD-348A, FIG. 313.2	INTERFACE
SPECIFICATION	DESCRIPTION

CHG: CAP MATERIAL WAS BRASS.	EC NO: URF2015-0552	DRWN: AROBERTSON 2015/04/07	CHKD: SSS 2015/04/07	APPR: AROBERTSON 2015/04/10
REV	A1	DESCRIPTION		

QUALITY SYMBOLS	GENERAL TOLERANCES (UNLESS SPECIFIED)
▽=0	mm INCH
▽=0	4 PLACES ± --- ± ---
	3 PLACES ± --- ± ---
	2 PLACES ± --- ± ---
	1 PLACE ± --- ± ---
	ANGULAR ± 2 °

DRAWN BY	DATE	TITLE
AROBERTSON	2011/04/01	TNC JACK RA PCB TH 50 OHM TNC-J/PCB, EWR-4676
CHECKED BY	DATE	
SSS	2011/04/01	
APPROVED BY	DATE	
JWIENER	2011/04/04	
MATERIAL NO.	DOCUMENT NO.	SHEET NO.
SEE TABLE	SD-73216-271	1 OF 1

DIMENSION STYLE	SCALE	DESIGN UNITS	THIRD ANGLE PROJECTION
MM/IN		METRIC	
MOLEX INCORPORATED			
THIS DRAWING CONTAINS INFORMATION THAT IS PROPRIETARY TO MOLEX INCORPORATED AND SHOULD NOT BE USED WITHOUT WRITTEN PERMISSION			