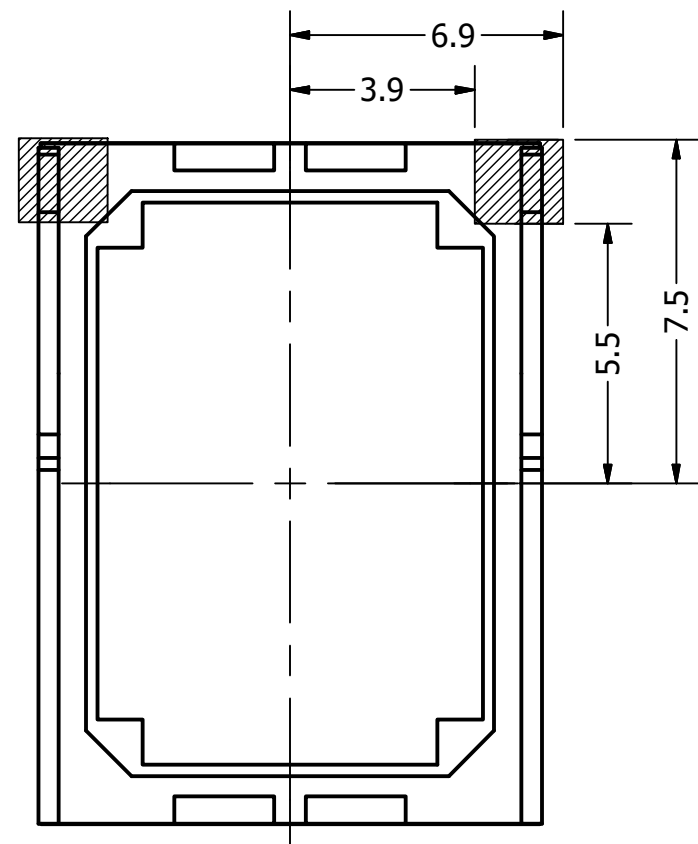




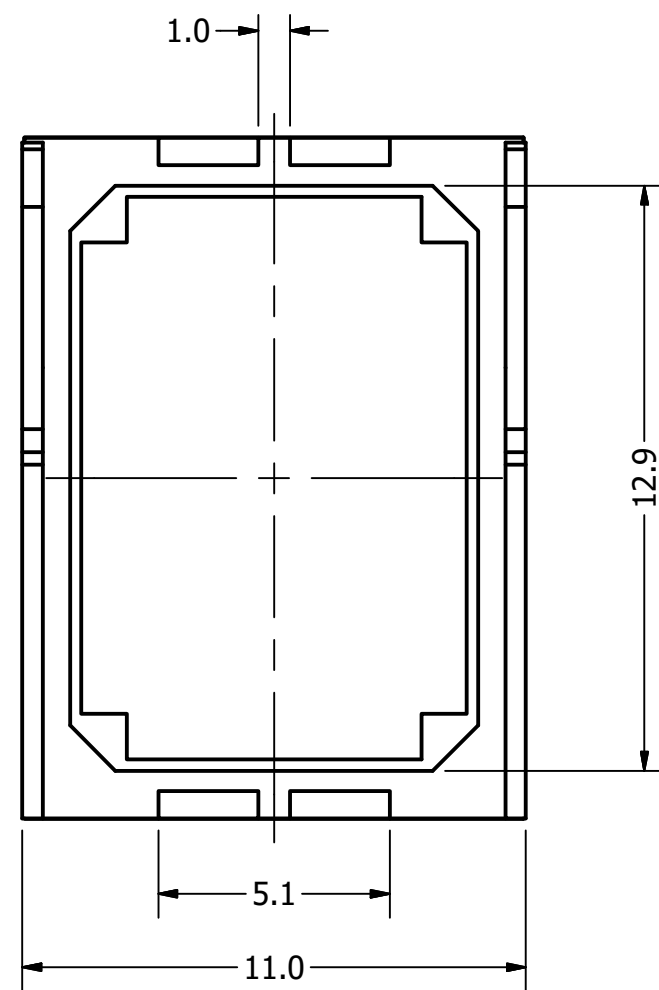
DB UNLIMITED

Part Number:	SM150508-2	
DESCRIPTION:	Dynamic Micro Speaker	
DRAWN	CJ	4/28/2017
CHECKED	P.D.	4/28/2017
APPROVED	C.E.	4/28/2017
This document contains data proprietary to DB Unlimited. Any use or reproduction, in any form, without prior written permission of DB Unlimited is prohibited. All terms and conditions can be found at www.dbunlimitedco.com		

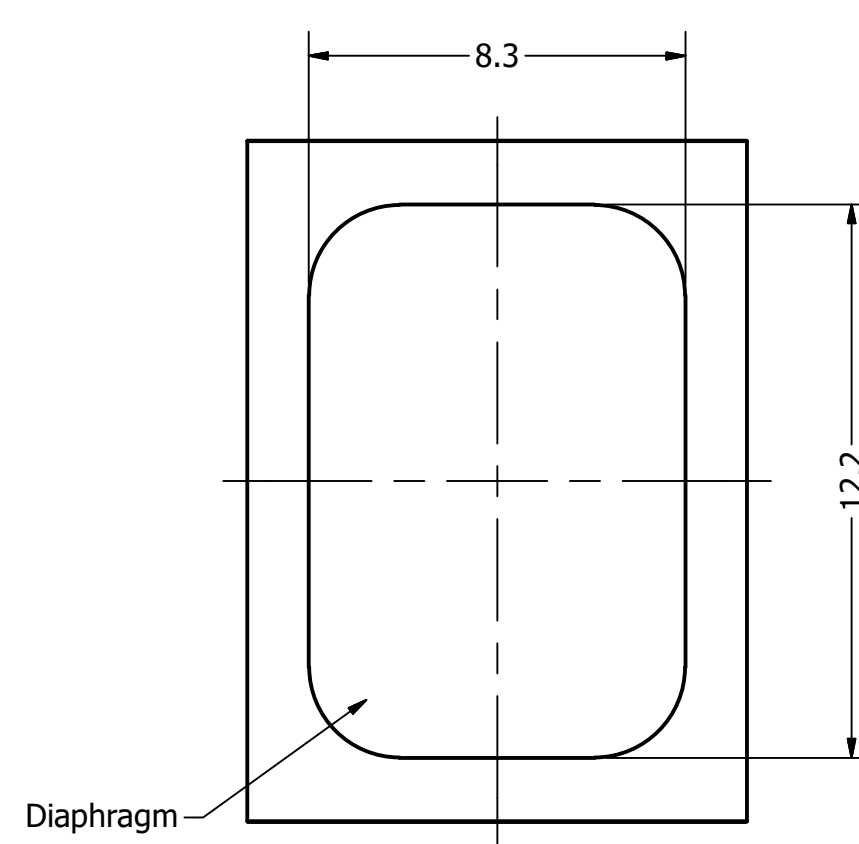
Spring Touch Area



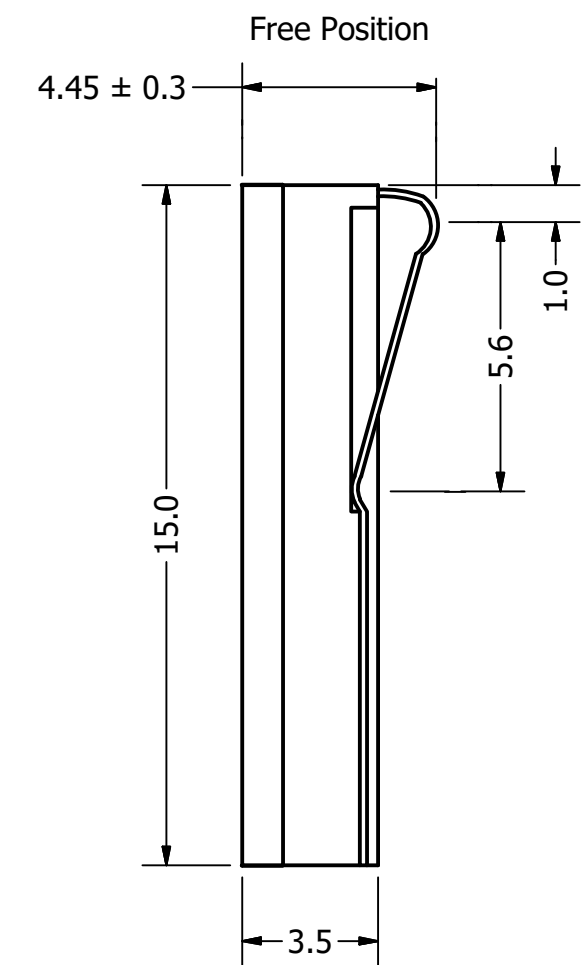
Bottom View



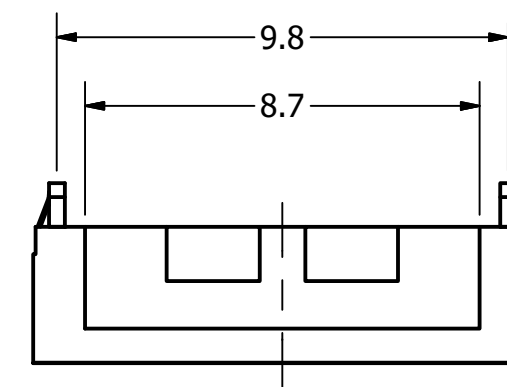
Top View



Side View (1)



Side View (2)



Items	Specifications	Conditions
Sound Pressure Level	89	dB (@ 10cm)
Resonant Frequency	500	Hz
Frequency Range	500 ~ 20,000	Hz
Nominal Power	0.7	W
Max. Power	1	W
Impedance	8	Ω
Cone Material	Mylar	
Mount Type	Flush Mount	
Storage Temperature	-20 ~ +70	°C
Operating Temperature	-20 ~ +70	°C
Weight	1.5	g

REVISION HISTORY			
REV	DESCRIPTION	DATE	APPROVED
1	Released from Engineering	2/18/2015	J.S.
2	Updated shield size	4/28/2015	J.S.
	Updated to new template	4/28/2017	C.E.

NOTES	
1)	All dimensions are in mm unless otherwise noted
2)	All tolerances are ± 0.2 mm unless otherwise noted
3)	All parts meet RoHS
4)	Subject to change or redrawn without notice