

RP187

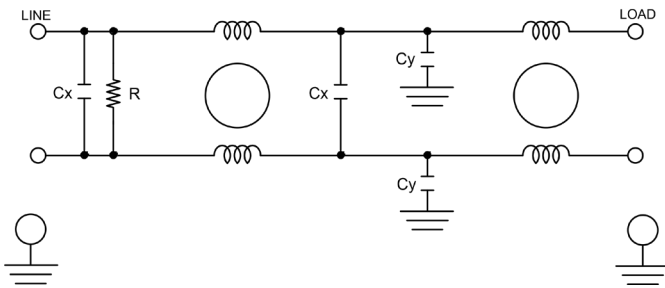
HIGH PERFORMANCE DUAL STAGE IEC INLET FILTER

FEATURES

- » Rated currents include **1A, 3A, 6A, 10A, and 20A**
- » Dual Stage Line Filter
- » Available with **QD** tabs or **W** (wireleads) option
- » High Performance
- » Agency Approved to UL1283 / 60929, CSA C22.2, EN 60939
- » Y-cap value can be adjusted to fit specifications



ELECTRICAL SCHEMATIC



SPECIFICATIONS

OPERATING FREQUENCY	50/60Hz
IEC INLET	1A-10A: C14 20A: C20
MAX. OPERATING VOLTAGE	250V +10%
AMBIENT TEMPERATURE	-25 TO 40°C
CLIMATIC CATEGORY	25/100/21
TERMINALS (-T)	QD: 0.25" TABS WIRE LEADS
TYP. WEIGHT, LBS (KG)	0.17 (0.37)

TYPICAL LEAKAGE CURRENT

@ 250 VAC 50 Hz	0 - 0.8 mA Max.
@ 120 VAC 60 Hz	0 - 0.4 mA Max.

HIPOT RATINGS

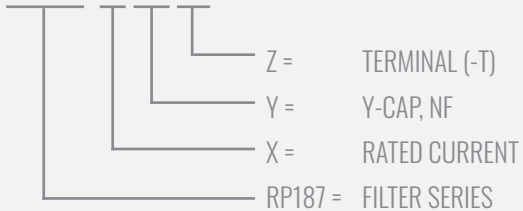
LINE TO GROUND	2121 VDC
-----------------------	----------

TYPICAL APPLICATIONS

- ✓ Electronic Equipment
- ✓ Household Appliances
- ✓ Single-Phase Power Supplies
- ✓ Diagnostic Medical Equipment
- ✓ Lighting Fixtures
- ✓ Test & Measurement
- ✓ Industrial Automation

HOW TO ORDER

RP100-X-Y-Z



NOTE: USE ANY COMBINATION OF -X (AMPS) WITH ANY -Y RATINGS
E.G. **RP187-10-1-QD** (10AMPS WITH 2.2 NF YCAP)

For **X, Y** and **Z** options see product specification table.

RP187

HIGH PERFORMANCE DUAL STAGE IEC INLET FILTER

MODEL NO.	RATED CURRENT, A @ 40° C	Y-CAP, nF	LEAKAGE CURRENT, mA @ 250V AC, 50 Hz / @ 120V AC, 60 Hz		TERMINAL OPTIONS		MAX. DIMENSIONS" (MM)		
					(QD) OUTPUT	(W) OUTPUT	WIDTH	(LENGTH)	HEIGHT
RP187-1-0-QD	1	0	-	-	✓		1.97" (50)	3.05" (77.5)	0.88" (22.4)
RP187-1-0-W	1	0	-	-		✓	*	*	*
RP187-1-47-QD	1	0.47	0.08	0.04	✓		1.97" (50)	3.05" (77.5)	0.88" (22.4)
RP187-1-47-W	1	0.47	0.08	0.04		✓	*	*	*
RP187-1-1-QD	1	1	0.18	0.09	✓		1.97" (50)	3.05" (77.5)	0.88" (22.4)
RP187-1-1-W	1	1	0.18	0.09		✓	*	*	*
RP187-1-2.2-QD	1	2.2	0.40	0.20	✓		1.97" (50)	3.05" (77.5)	0.88" (22.4)
RP187-1-2.2-W	1	2.2	0.40	0.20		✓	*	*	*
RP187-1-4.7-QD	1	4.7	0.80	0.40	✓		1.97" (50)	3.05" (77.5)	0.88" (22.4)
RP187-1-4.7-W	1	4.7	0.80	0.40		✓	*	*	*
RP187-3-0-QD	3	0	-	-	✓		1.97" (50)	3.05" (77.5)	0.88" (22.4)
RP187-3-0-W	3	0	-	-		✓	*	*	*
RP187-3-47-QD	3	0.47	0.08	0.04	✓		1.97" (50)	3.05" (77.5)	0.88" (22.4)
RP187-3-47-W	3	0.47	0.08	0.04		✓	*	*	*
RP187-3-1-QD	3	1	0.18	0.09	✓		1.97" (50)	3.05" (77.5)	0.88" (22.4)
RP187-3-1-W	3	1	0.18	0.09		✓	*	*	*
RP187-3-2.2-QD	3	2.2	0.40	0.20	✓		1.97" (50)	3.05" (77.5)	0.88" (22.4)
RP187-3-2.2-W	3	2.2	0.40	0.20		✓	*	*	*
RP187-3-4.7-QD	3	4.7	0.80	0.40	✓		1.97" (50)	3.05" (77.5)	0.88" (22.4)
RP187-3-4.7-W	3	4.7	0.80	0.40		✓	*	*	*
RP187-6-0-QD	6	0	-	-	✓		1.97" (50)	3.05" (77.5)	0.88" (22.4)
RP187-6-0-W	6	0	-	-		✓	*	*	*
RP187-6-47-QD	6	0.47	0.08	0.04	✓		1.97" (50)	3.05" (77.5)	0.88" (22.4)
RP187-6-47-W	6	0.47	0.08	0.04		✓	*	*	*
RP187-6-1-QD	6	1	0.18	0.09	✓		1.97" (50)	3.05" (77.5)	0.88" (22.4)
RP187-6-1-W	6	1	0.18	0.09		✓	*	*	*
RP187-6-2.2-QD	6	2.2	0.40	0.20	✓		1.97" (50)	3.05" (77.5)	0.88" (22.4)
RP187-6-2.2-W	6	2.2	0.40	0.20		✓	*	*	*
RP187-6-4.7-QD	6	4.7	0.80	0.40	✓		1.97" (50)	3.05" (77.5)	0.88" (22.4)
RP187-6-4.7-W	6	4.7	0.80	0.40		✓	*	*	*
RP187-10-0-QD	10	0	-	-	✓		1.97" (50)	3.05" (77.5)	0.88" (22.4)
RP187-10-0-W	10	0	-	-		✓	*	*	*
RP187-10-47-QD	10	0.47	0.08	0.04	✓		1.97" (50)	3.05" (77.5)	0.88" (22.4)
RP187-10-47-W	10	0.47	0.08	0.04		✓	*	*	*

ADDITIONAL MODEL NO. >>

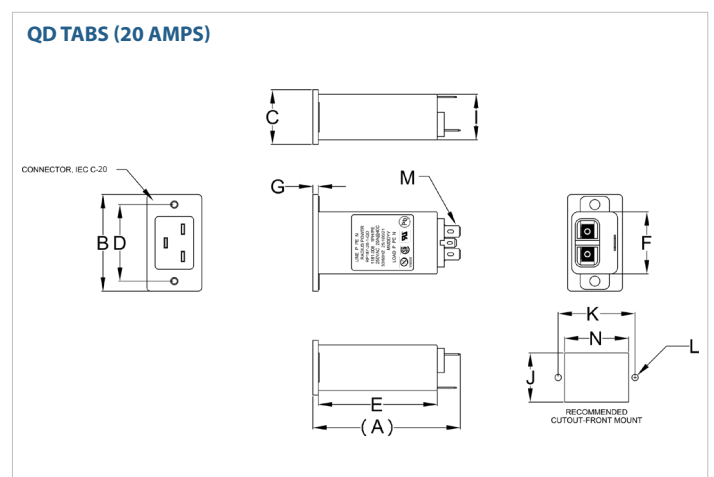
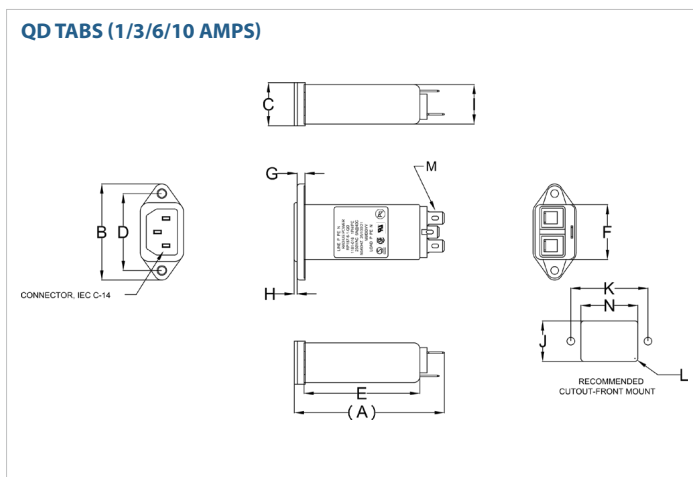
RP187

HIGH PERFORMANCE DUAL STAGE IEC INLET FILTER

MODEL NO.	RATED CURRENT, A @ 40° C	Y-CAP, nF	LEAKAGE CURRENT, mA @ 250V AC, 50 Hz / @ 120V AC, 60 Hz		TERMINAL OPTIONS		MAX. DIMENSIONS" (MM)		
					(QD) OUTPUT	(W) OUTPUT	WIDTH	(LENGTH)	HEIGHT
RP187-10-1-QD	10	1	0.18	0.09	✓		1.97" (50)	3.05" (77.5)	0.88" (22.4)
RP187-10-1-W	10	1	0.18	0.09		✓	*	*	*
RP187-10-2.2-QD	10	2.2	0.40	0.20	✓		1.97" (50)	3.05" (77.5)	0.88" (22.4)
RP187-10-2.2-W	10	2.2	0.40	0.20		✓	*	*	*
RP187-10-4.7-QD	10	4.7	0.80	0.40	✓		1.97" (50)	3.05" (77.5)	0.88" (22.4)
RP187-10-4.7-W	10	4.7	0.80	0.40		✓	*	*	*
RP187-20-0-QD	20	0	-	-	✓		2.09" (53)	3.17" (80.6)	1.18" (30)
RP187-20-0-W	20	0	-	-		✓	*	*	*
RP187-20-47-QD	20	0.47	0.08	0.04	✓		2.09" (53)	3.17" (80.6)	1.18" (30)
RP187-20-47-W	20	0.47	0.08	0.04		✓	*	*	*
RP187-20-1-QD	20	1	0.18	0.09	✓		2.09" (53)	3.17" (80.6)	1.18" (30)
RP187-20-1-W	20	1	0.18	0.09		✓	*	*	*
RP187-20-2.2-QD	20	2.2	0.40	0.20	✓		2.09" (53)	3.17" (80.6)	1.18" (30)
RP187-20-2.2-W	20	2.2	0.40	0.20		✓	*	*	*
RP187-20-4.7-QD	20	4.7	0.80	0.40	✓		2.09" (53)	3.17" (80.6)	1.18" (30)
RP187-20-4.7-W	20	4.7	0.80	0.40		✓	*	*	*

*Contact factory for dimensions.

RP187 MECHANICAL OUTLINES (MM)



RP187

HIGH PERFORMANCE DUAL STAGE IEC INLET FILTER

SERIES	(A)	B	C	D	E	F	G	H	I	J	K	L		
QD TABS (1/3/6/10A)	3.05" (77.5)	1.97" (50)	0.88" (22.4)	1.57" (40)	2.40" (61)	1.15" (29.2)	0.16" (4.1)	0.06" (1.5)	0.82" (20.8)	0.83 " (21)	1.57" (40)	0.05, 4x R1.5, 4X	0.25", 3x QD, MALE, 6.35, 3x	1.16" (29.5)
QD TABS (20A)	3.17" (80.6)	2.09" (53)	1.18" (30)	1.66" (42.2)	2.60" (66)	1.34" (34)	0.12" (3)	N/A	0.98" (25)	1.07" (27.2)	1.65" (42)	Ø0.13, 2x Ø3.50, 2x	0.25", 3x QD, MALE, 6.35, 3x	1.39" (35.2)

TYPICAL TOLERANCE: +/-0.02" (0.50MM)

TYPICAL INSERTION LOSS, dB (50/50 Ohm)

Amps	Freq (MHz)	Insertion Loss (dB)				
		0.15	0.5	1.0	10	30
1	CM (dB)	52	60	65	65	50
	DM (dB)	28	45	65	65	55
3	CM (dB)	45	60	65	65	50
	DM (dB)	28	45	65	65	60
6	CM (dB)	30	50	60	60	60
	DM (dB)	26	40	60	60	55
10	CM (dB)	28	40	50	55	55
	DM (dB)	26	38	55	60	60
20	CM (dB)	18	35	45	50	58
	DM (dB)	16	35	55	55	70