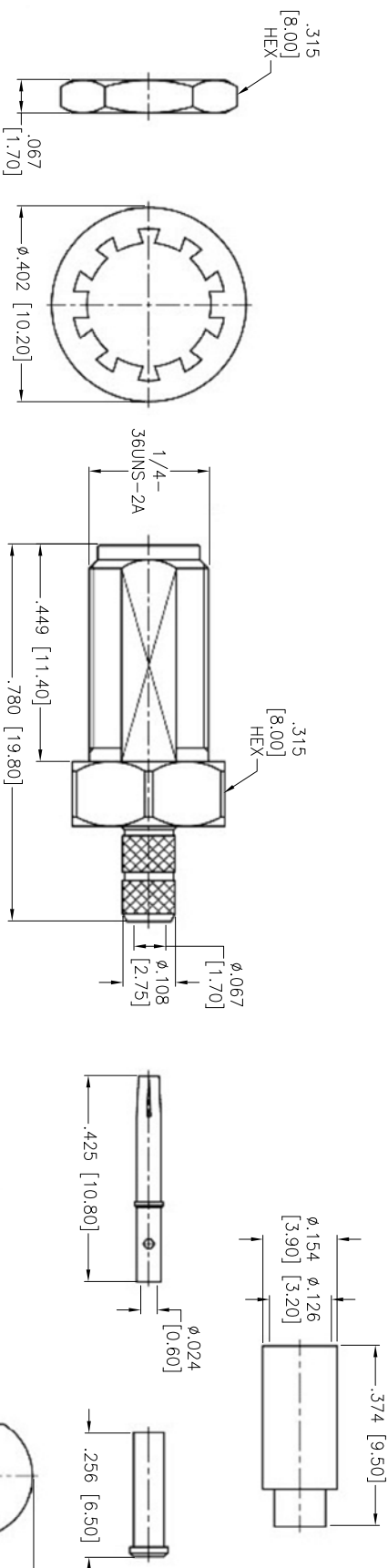


Rev	AWO #	Description	Date	Appr
-		RELEASED	5/27/16	

APPROVED: _____
 DATE: _____ TITLE: _____

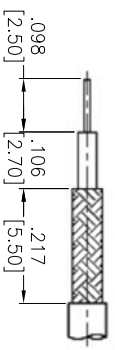


DESCRIPTION	MATERIAL	FINISH
HEX NUT	BRASS	GOLD
WASHER	SS0C	GOLD
FERRULE	BRASS	GOLD
SLEEVE	BRASS	GOLD
CONTACT PIN	BRASS	GOLD
INSULATOR	PTFE	WHITE
BURREL	BRASS	GOLD
DESCRIPTION	MATERIAL	FINISH

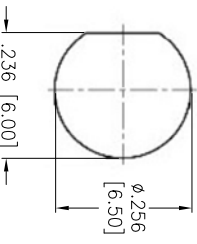
SPECIFICATIONS:

Electrical:
 Frequency range: DC-6 GHz
 Nominal Impedance: 50 Ohms
 Working Voltage: 170 VOLTS max
 Proof Voltage: 500 VOLTS
 VSWR : 1.3 Max @ 3 GHz
 Temperature Rating:
 Operating temperature: -65°C to +165°C
 Environmental:
 Lead free, RoHS compliant.

RECOMMENDED CABLE STRIPPING DIMS



RECOMMENDED MOUNTING HOLE



UNLESS OTHERWISE SPECIFIED ALL DIMENSIONS ARE INCHES [MM]	
TOLERANCES: EXCEPT AS NOTED	
INCHES	HOLDERS
.X ± .10	ØX ± .10
.XX ± .020	ØXXX ± .015
.XXX ± .015	ØXXX ± .010
APPROVALS	DATE
DRAWN AY	5/27/16
CHECKED SY	5/27/16
APPROVED	

ADAM TECH
 909 Rahway Avenue, Union, NJ 07083
 Phone: 908-687-5000 Fax: 908-687-5710

TITLE: SMA JACK STR BULKHEAD, 500HM, 178U

SIZE	PART NO.
X	RF2-06A-T-21-50-G
REF: S00277T	SCALE: NTS
SHEET 1 OF 1	REV. -

