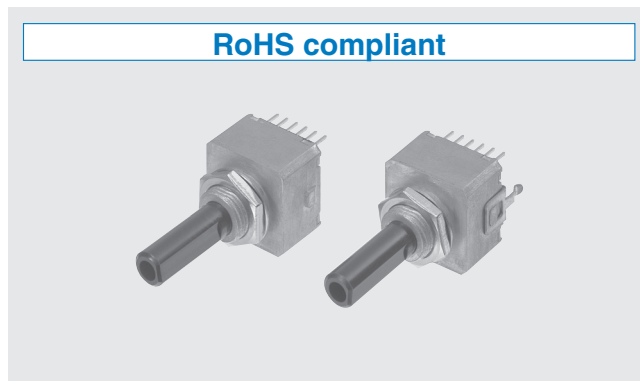


## FEATURES

- High resistant to electrostatic noise by using a plastic shaft
- Compact size of 16 mm square
- With mechanical ON/OFF push switch
- Long life
- RoHS compliant



## PART NUMBER DESIGNATION

REC16A25-201-C

Series name

REC : With click  
RES : Without click

Push switch function

A : With push switch  
B : Without push switch

Resolution (P/R)

25, 50

Snap-in holder

C : Yes  
Blank : No

Output phase

2 : "A" & "B"

## LIST OF PART NUMBERS

Resolution \ Test item	Click	Push switch function	Snap-in holder	Part number
25 (P/R)	With Click	Yes	No	REC16A25-201
			Yes	REC16A25-201-C
	Without Click	No	No	REC16B25-201
			Yes	REC16B25-201-C
			No	RES16B25-201
			Yes	RES16B25-201-C
50 (P/R)	With Click	Yes	No	REC16A50-201
			Yes	REC16A50-201-C
	Without Click	No	No	REC16B50-201
			Yes	REC16B50-201-C
			No	RES16B50-201
			Yes	RES16B50-201-C

# REC16/RES16

## OPTICAL ENCODERS

### STANDARD SPECIFICATIONS

#### Electrical characteristics

Input voltage	DC5 V $\pm$ 5 %	
Input current	30 mA maximum	
Output wave form	Square wave	
Output phases	A, B	
(P/R) Resolution	25, 50	
Phase difference of outputs A & B	90° $\pm$ 45°	
Maximum frequency response	100 Hz	
Output signal	"1 (High)"	+ 4.5 V minimum
	"0 (Low)"	+ 0.5 V maximum
Light source	LED	

#### Switch characteristics

Maximum contact rating	DC15 V, 20 mA
Contact resistance	200 m $\Omega$ maximum (Initial value)

Note) Manual setting only.

#### Mechanical characteristics

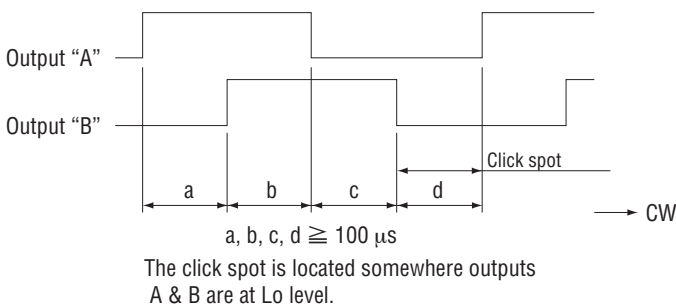
Starting torque	1.18 mN·m $\pm$ 0.78 maximum (12 $\pm$ 8 gf·cm) <RES:Without click>	
Click torque	6.87 mN·m $\pm$ 3.43 maximum (70 $\pm$ 35 gf·cm) <REC:With click>	
Click number	25, 50	
Shaft loading (Pull-push)	19.6 N maximum (2 kgf)	
Switch operation force	7.85 N $\pm$ 2.94 N (800 $\pm$ 300 gf)	
Switch stroke	0.5 mm	
Rotational life (Mechanical)	1 million cycles	
Switching life	1 million cycles	
Shaft loading (When mounting)	Radial	4.90 N maximum (500 gf)
	Axial	2.94 N maximum (300 gf)
Net weight	Approx. 10 g	
Strength of tighten screw	1 N·m {10.2 kgf·cm} maximum	

#### Environmental characteristics

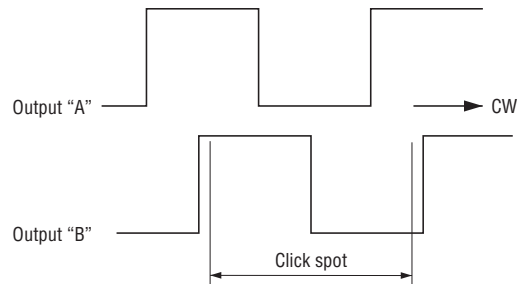
Operating temp. range	0 ~ 50 °C
Storage temp. range	-20 ~ 80 °C
Protection grade	IP40

### OUTPUT

#### Click spot for 25P/R



#### Click spot for 50P/R



### RELIABILITY TEST

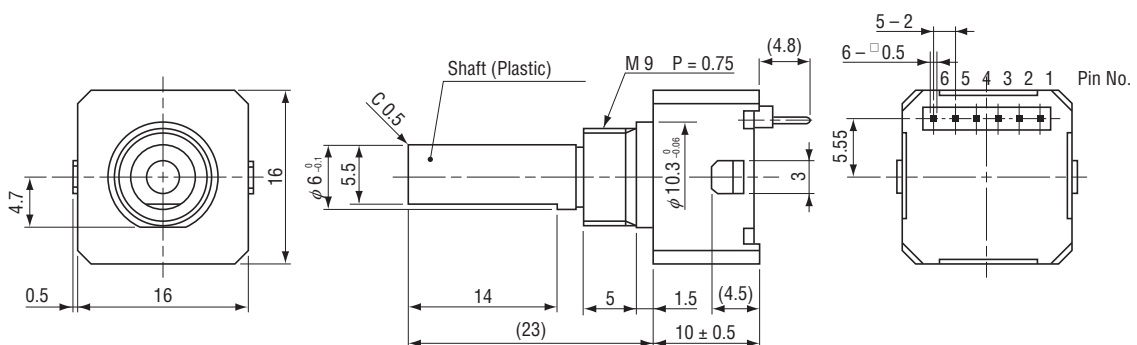
The output shall satisfy the criteria below after the following tests.

Test item		Test conditions
Vibration	Power OFF	Amplitude : 1.52 mm or 98.1 m/s <sup>2</sup> (10 G) whichever is smaller. 10 ~ 500 Hz excursion 15 min/cycle, 8 cycles each for X, Z, directions.
Shock	Power OFF	3 times each in directions (X, Z) at 490 m/s <sup>2</sup> (50 G), 11 ms.
High temperature exposure	Power OFF	80 °C 96 h
	Power ON	50 °C 96 h
Low temperature exposure	Power OFF	- 20 °C 96 h
	Power ON	0 °C 96 h
Humidity	Power OFF	40 °C Relative humidity 90 ~ 95 % 96 h (To be measured after wiping out moisture and leaving samples for 1 h at normal temperature and humidity after the test.)
Thermal shock	Power OFF	To be done 10 cycles with the following condition (To be measured after leaving samples for 1 h at normal temperature and humidity after the test.) 80 °C 0.5 h、- 20 °C 0.5 h

### OUTLINE DIMENSIONS

Unless otherwise specified, tolerance:  $\pm 0.4$  (Unit: mm)

#### Without snap-in holder



※ Connector : Made by Hirose Electric Co., Ltd  
A4B-6PA-2DSA.

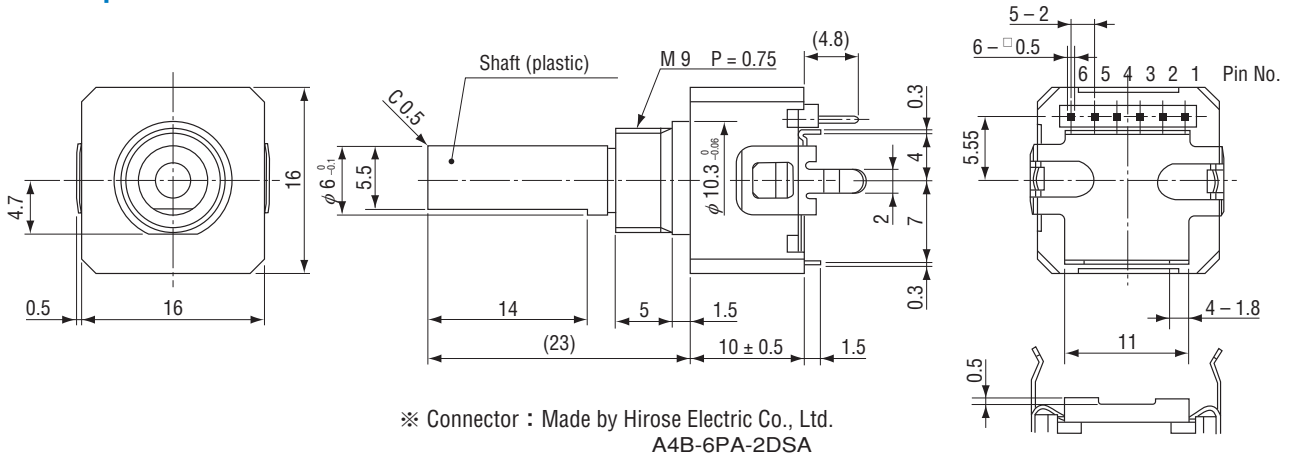
# REC16/RES16

## OPTICAL ENCODERS

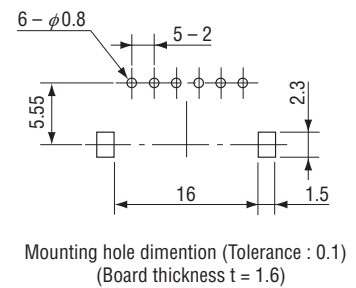
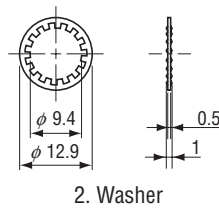
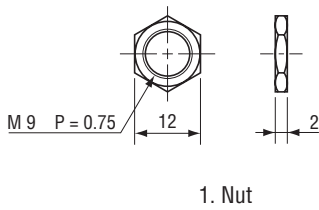
### OUTLINE DIMENSIONS

#### With snap-in holder

Unless otherwise specified, tolerance:  $\pm 0.4$  (Unit: mm)



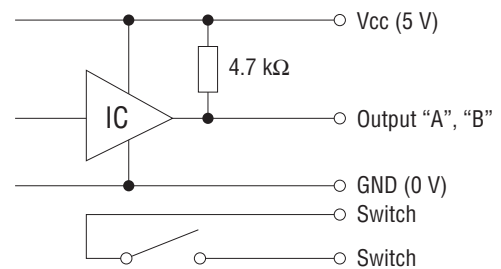
#### <Accessories>



### PIN ASSIGNMENT

Pin No.	With switch	Without switch
1	Power 0 (V)	Power 0 (V)
2	Output "B"	Output "B"
3	For switch	N C
4	For switch	N C
5	Power ⊕	Power ⊕
6	Output "A"	Output "A"

### OUTPUT CIRCUIT



#### KNOB FOR SETTING ENCODERS

The knobs are sold separately as an optional item. (Ref. P. 314)