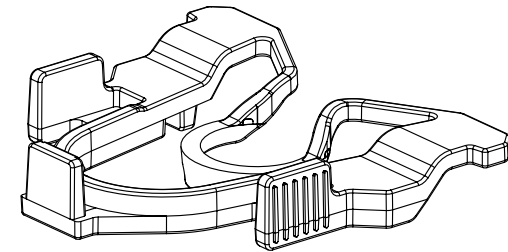
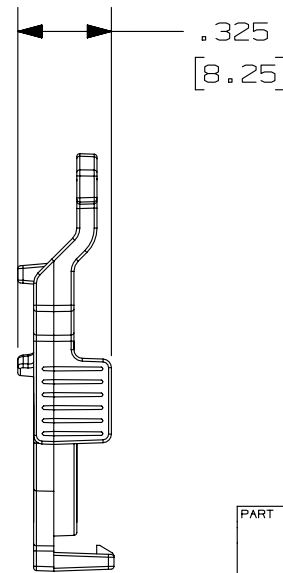
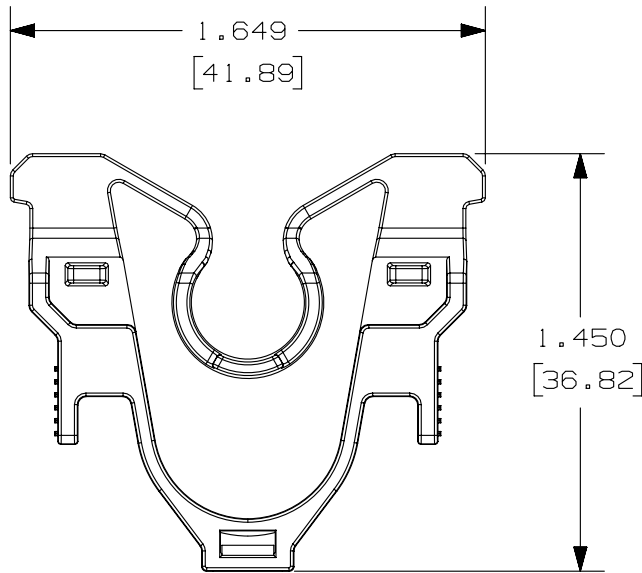
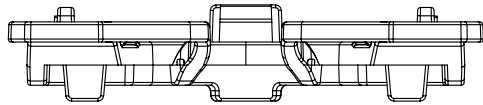


THIS COPY IS PROVIDED ON A RESTRICTED BASIS AND IS NOT TO BE USED IN ANY WAY DETRIMENTAL TO THE INTERESTS OF PANDUIT CORP.

PANDUIT PART NUMBER	COLOR	WEIGHT (APPROX)
QPPLD6-X	RED	0.034LB [15.6 g]

NOTES:

1. SEE CURRENT CATALOG FOR VARIOUS APPLICATIONS.
2. THE LOCK-IN DEVICE IS DESIGNED FOR QPP6** SIX-POSITION PLUG PACKS.
3. DIMENSIONS IN BRACKETS ARE IN METRIC.
4. PACKAGE CONTAINS TEN LOCK-IN DEVICES.
5. TWO LOCK-IN DEVICES ARE RECOMMENDED TO LOCK-IN ONE QPP6** SIX-POSITION PLUG PACK.



PART NUMBER		QPPLD6-X	
TITLE			
QUICKNET 6 POSITION PLUG PACK LOCK-IN DEVICE			
CUSTOMER DRAWING			
ITEM REVISION NAME		M02802CS/08	
DATASET FILE NAME		M02802CS_DC30/08B	
UNLESS OTHERWISE SPECIFIED, DIMENSIONAL TOLERANCES ARE: IN [mm]		MATERIAL:	
.x ± .xx ± .03 [.8]		PC	
.xxx ± .010 [.3]		DRAWING NUMBER:	
ANGLES ±		02802-30	
THIRD ANGLE PROJECTION		SHT 1 OF 1	
DRAWN BY	DATE	CHK	SCALE
MDJR	10/23/07	WFMI	NONE
REV	DATE	BY	CHK
1	5/22/14	JSP	REFR
R	1-30-06	MDJR	WFMI
DESCRIPTION		ECN	
A. REVISED DRAWING TITLE BLOCK.		02802-30	
RELEASED TO PRODUCTION		02802-30	

REV	DATE	BY	CHK	APR	DESCRIPTION	ECN
1	5/22/14	JSP	REFR	TMBA	A. REVISED DRAWING TITLE BLOCK.	02802-30
R	1-30-06	MDJR	WFMI	LSHA	RELEASED TO PRODUCTION	02802-30

D10100DA/14

2

1

2

1