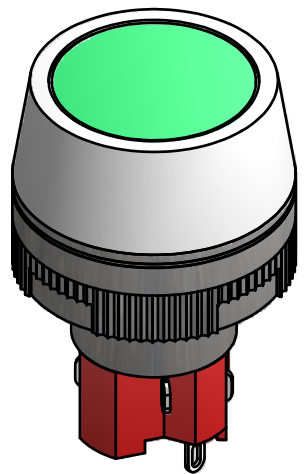
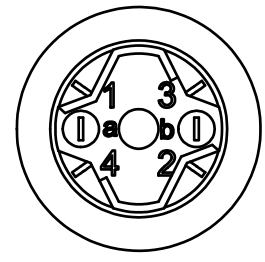
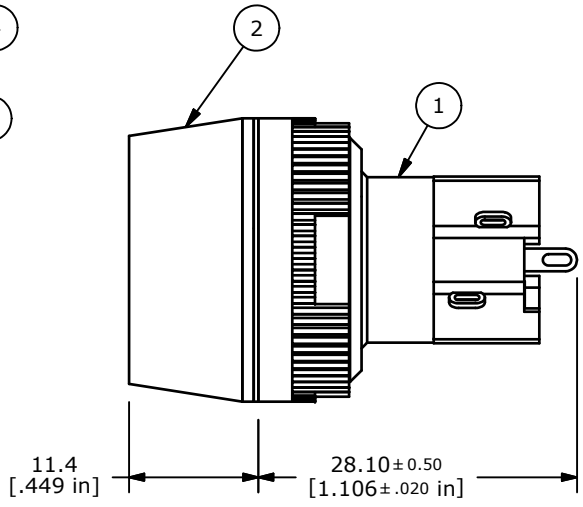
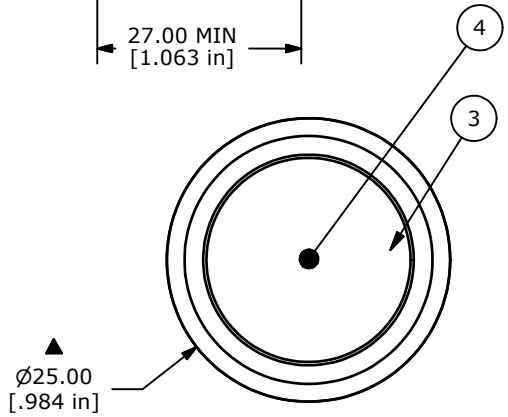


Parts List			
ITEM	QTY	PART NUMBER	DESCRIPTION
1	1	F060606	LASOAV11
2	1	F051702	25MM RING FOR LA SERIES
3	1	F060202	25MM GREEN LENS
4	1	F050423	50-004-23 24VDC LED GRN



ISOMETRIC

- NOTE:
1. ALL DIMENSIONS IN MM [INCH]
 2. GENERAL TOLERANCE: X.X=±0.4
X.XX=±0.25
 3. TERMINAL NUMBERS FOR REF ONLY
 4. RATING: 5 AMPS @ 250VAC UL, VDE APPROVED
6 AMPS @ 24VDC UL, VDE APPROVED
 5. ELECTRIC LIFE: 25,000 MAKE-AND-BREAK CYCLES AT FULL LOAD.
 6. INSULATION RESISTANCE: 1,000 MEGA-OHM MIN.
 7. OPERATING TEMP.: -25°C to 55°C
 - ▲ 8. LAMP VOLTAGE: 24VDC LED
 9. ▲ DENOTES CRITICAL PARAMETER.
 10. PANEL THICKNESS: 4mm MAX.



REV	PCR NO	DESCRIPTION	DATE	BY
B	19800	NOTE CHANGE 240VDC TO 24VDC	3/30/11	BGL
A	19727	RELEASED FOR PRODUCTION	3/3/11	BGL

TITLE LASOAV11KGRNGRN				
SCALE 1.5:1	DATE 3/3/2011	DR BGL	DWG XF0838P	REV B

THE INFORMATION CONTAINED IN THIS DOCUMENT IS PROPRIETARY TO E-SWITCH AND IS NOT TO BE COPIED OR TRANSFERRED