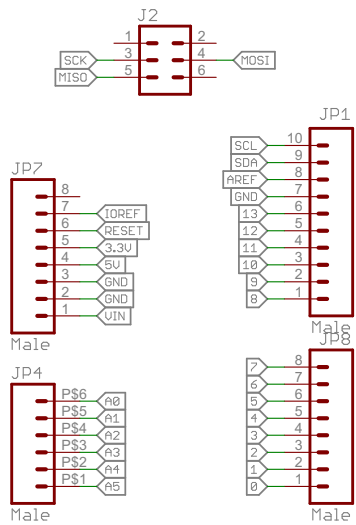


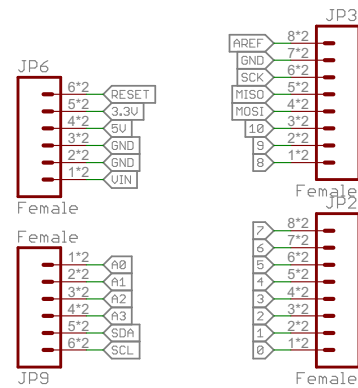
Leonardo Side



SDA (D2) -> A4
 SCL (D3) -> A5
 AVR ISP HEADER (SPI) -> D11, D12, D13



Old Shield Side



Affected Shields:

- RF22 Shield (SPI)
- PoEthernet Shield (Arduino ethernet shield uses SPI lines on ISP)
- Touch Shield (I2C)
- WiFly Shield (SPI)
- SD Shield (SPI)

Released under the Creative Commons Attribution Share-Alike 3.0 License http://creativecommons.org/licenses/by-sa/3.0		⊗ ⊗ ⊗ ⊗
TITLE: Transmog-Shield-v01		SFE
Design by: Jim Lindblom		REV:
Date: 8/21/2012 3:14:50 PM	Sheet: 1/1	