

**MATERIALS & SPECIFICATIONS**

PART NO.	A 29050-015	REV	ECO	DATE	APP
		B	96328	11-20-09	TLM

**HOUSING:**  
ALUMINUM 6061-T6, NICKEL PLATE PER  
AMS-C-26074

**INSULATOR:**  
LIQUID CRYSTAL POLYMER (LCP) PER  
ASTM D5138

**CONTACT:**  
COPPER ALLOY PER MIL-DTL-32139,  
GOLD PLATED PER ASTM B488, (HARD  
GOLD) TYPE II CODE C, CLASS 1.27

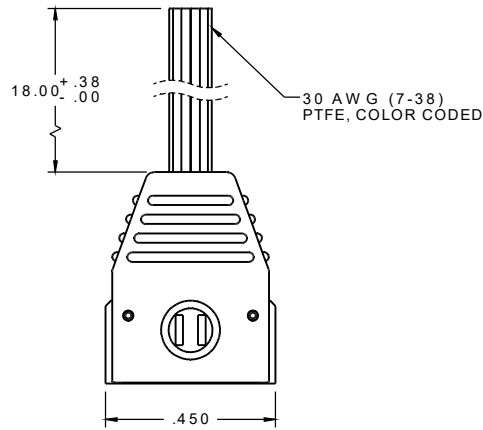
**WIRE:**  
NEMA HP3 TYPE ET, COLOR CODED IAW  
MIL-STD-681, SYSTEM 1, USING TEN  
SOLID REPEATING COLORS

**HARDWARE:**  
17-7 STAINLESS STEEL

**CURRENT RATING:**  
1 AMP MAX PER MIL-DTL-32139

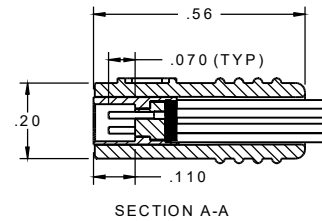
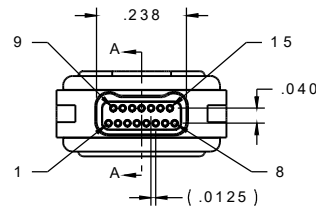
**CONTACT RESISTANCE:**  
71 MILLIOHM MAX (71mV DROP MAX) @  
1.0 AMPS PER MIL-DTL-32139

**PERFORMANCE:**  
PRODUCT FAMILY TESTED TO AND  
PASSED THE PERFORMANCE  
SPECIFICATIONS OF TABLE VIII OF MIL-  
DTL-32139



SOCKET #	COLOR
1, 11	BLACK
2, 12	BROWN
3, 13	RED
4, 14	ORANGE
5, 15	YELLOW
6	GREEN
7	BLUE
8	VIOLET
9	GRAY
10	WHITE

**INTERNAL USE ONLY**  
USE MFG LOADING  
PROCEDURE A29000-015



ACTUAL SIZE  
EXCLUDING WIRE LENGTH

MINI-SLID	THIRD ANGLE	THIS DRAWING CONTAINS CONFIDENTIAL AND PROPRIETARY INFORMATION WHICH IS THE PROPERTY OF OMNETICS CONNECTOR CORP. THIS DOCUMENT MAY NOT, IN WHOLE OR IN PART, BE DUPLICATED, OR DISCLOSED FOR ANY PURPOSE, WITHOUT WRITTEN PERMISSION FROM OMNETICS CONNECTOR CORP.		<b>OMNETICS</b> CONNECTOR CORPORATION 7260 COMMERCE CIRCLE EAST MINNEAPOLIS, MN 55432 WWW.OMNETICS.COM	CAGE CODE 61873	
	-TOLERANCES-	DFTM. JPF	01-28-08		TITLE: (15) SOCKET FEMALE LATCHING Bi-Lobe® CONNECTOR	DWG NO. A29050-015
	UNLESS OTHERWISE NOTED	CHK'D.				SHEET 1 OF 1
	DIMENSIONS IN INCHES	APP'D.				REV B
	2 P L D E C 2 . 01				SCALE: 3:1	
	3 P L D E C 2 . 005					
	4 P L D E C 2 . 0005					
	ANGLES ± 1°					