

eSIGN / Accessories

**Base w. integrated tube BK Type 4X**

Part No.: 960.000.64

**MECHANICAL DATA**

|                       |        |
|-----------------------|--------|
| Height                | 110 mm |
| Diameter              | 70 mm  |
| Materials             | PA-GF  |
| Housing colour        | Black  |
| Weight with packaging | 42 g   |
| Product weight        | 38 g   |

**APPROVAL DATA**

|                               |                 |
|-------------------------------|-----------------|
| Conforms with CE              | No              |
| WEEE                          | No              |
| Conforms with ATEX-directive  | No              |
| Conforms with CCC-Ex          | No              |
| Conforms with CCC             | No              |
| Conforms with UL              | cULus           |
| UL Type Rating                | Type 4/4X/12/13 |
| Conforms with FCC             | No              |
| Conforms with IC              | No              |
| EAC certificate available     | No              |
| Conforms with UKCA (Importer) | No              |
| Conforms with CMIM            | No              |
| Conforms with AS-I            | No              |
| Conforms with DNV             | No              |
| Conforms with RoHS CN         | No              |
| Conforms with VdS             | No              |

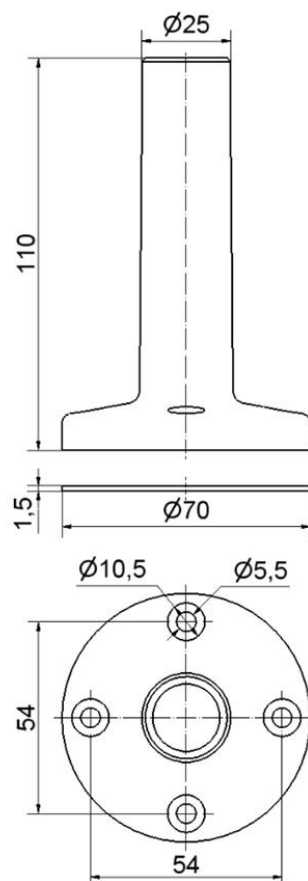


For additional installation and mounting information, refer to the appropriate user guide at [www.werma.com](http://www.werma.com). This printed copy is for information only and is subject to alteration.

eSIGN / Accessories

**Base w. integrated tube BK Type 4X**

## DRAWING



For additional installation and mounting information, refer to the appropriate user guide at [www.werma.com](http://www.werma.com). This printed copy is for information only and is subject to alteration.