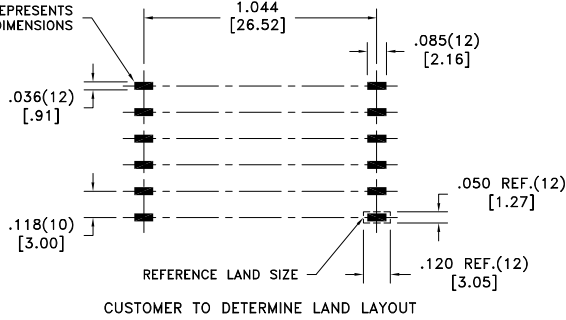
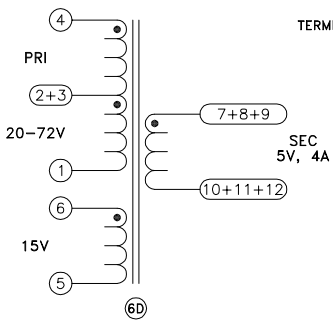
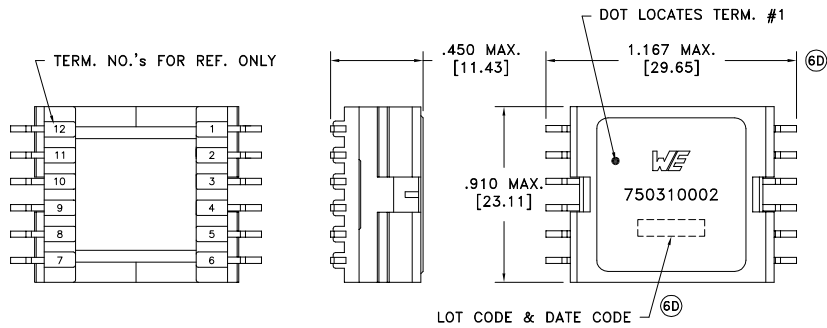


CUSTOMER TERMINAL	RoHS	LEAD(Pb)-FREE
Sn96%, Ag4%	Yes	Yes

more than you expect



Application of transformer allows for leadwires between terminals 2+3, 7+8+9, 10+11+12 to solder bridge.

**ELECTRICAL SPECIFICATIONS @ 25°C unless otherwise noted:**

PARAMETER	TEST CONDITIONS	VALUE
D.C. RESISTANCE	1-3 @20°C	0.027 ohms ±10%
D.C. RESISTANCE	2-4 @20°C	0.022 ohms ±10%
D.C. RESISTANCE	5-6 @20°C	0.105 ohms ±10%
D.C. RESISTANCE	7-10 tie(7+8+9, 10+11+12), @20°C	0.008 ohms max.
INDUCTANCE	1-4 tie(2+3), 100kHz, 100mVAC, Ls	28.0uH ±10%
LEAKAGE INDUCTANCE	1-4 tie(2+3, 5+6, 7+8+9+10+11+12) 100kHz, 100mVAC, Ls	800nH max.
DIELECTRIC	1-12 tie(2+3, 4+5, 7+8+9), 1875VAC, 1 second	1500VAC, 1 minute
DIELECTRIC	1-6 625VAC, 1 second	500VAC, 1 minute
TURNS RATIO	(3-1):(4-2)	1:1, ±1%
TURNS RATIO	(4-1):(6-5), tie(2+3)	1.272:1, ±1%
TURNS RATIO	(4-1):(7-10), tie(2+3)	3.5:1, ±2%
TURNS RATIO	(4-1):(8-11), tie(2+3)	3.5:1, ±2%
TURNS RATIO	(4-1):(9-12), tie(2+3)	3.5:1, ±2%

**GENERAL SPECIFICATIONS:**

OPERATING TEMPERATURE RANGE: -40°C to +125°C.

⑥D Wire insulation & RoHS status not affected by wire color.  
Wire insulation color may vary depending on availability.

REV.	DATE	Packaging Specifications		Tolerances unless otherwise specified:	DRAWING TITLE	PART NO.
6D	6/16	Method: Tape & Reel		Angles: ±1°	<b>TRANSFORMER</b>	<b>750310002</b>
6C	12/07	PKG-0868		Decimals: ±.005 [.13]		
6B	6/07	www.we-online.com/midcom		Fractions: ±1/64	Footprint: ±.005 [.13]	
6A	4/07	SEE REVISION SHEET FOR REVISION LEVEL		This drawing is dual dimensioned. Dimensions in brackets are in millimeters.		eiSos p/n: 750310002

