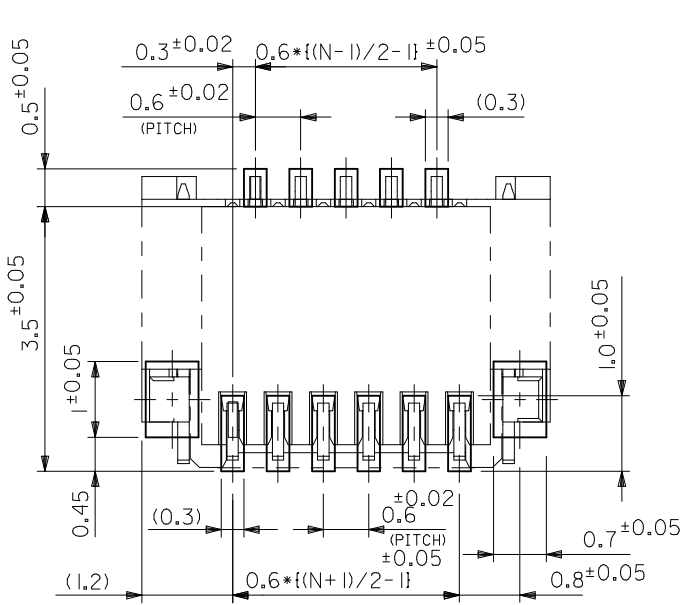


15.6	14.4	15.0	17.4	500797-5192	500797-5130	51
12.0	10.8	11.4	13.8	500797-3992	500797-3930	39
10.8	9.6	10.2	12.6	500797-3592	500797-3530	35
D	C	B	A	EMBOSSSED TAPE ORDER No. オーダー番号	MATERIAL NO.	CKT.

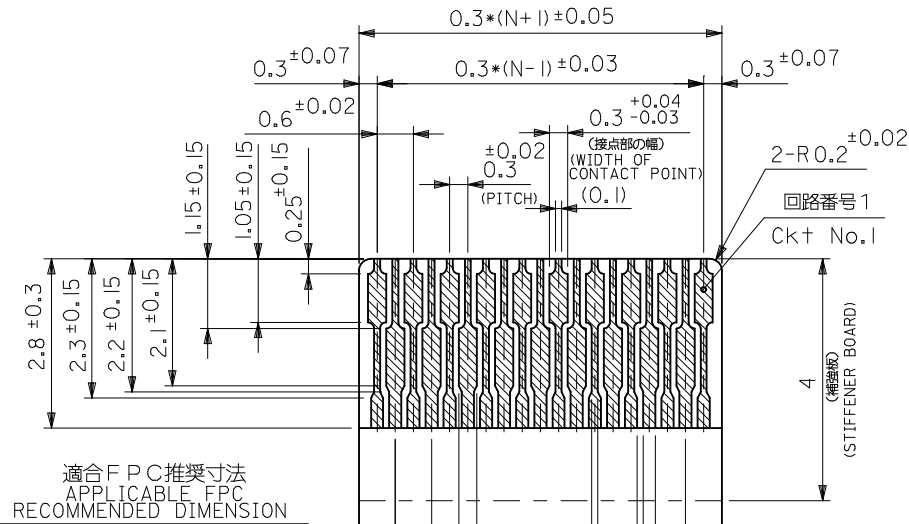
REVISED EC NO: J2014-1580 DRWN: NINOUE01 2014/04/22 CHKD: H IJIMA 2014/04/25 APPR: YNOGAWA 2014/04/25	GENERAL TOLERANCES (UNLESS SPECIFIED)		DIMENSION STYLE MM ONLY		SCALE ---	DESIGN UNITS METRIC	THIRD ANGLE PROJECTION
	10 UNDER	±0.2	DRAWN BY M. HAYASHI	DATE 2005/04/22	TITLE 0.3 FPC CONN E/O HSG ASSY (HGT=1.05MM) GOLD PLATING -LEAD FREE-		
	10 OVER 30 UNDER	±0.25	CHECKED BY H. HIRATA	DATE 2005/04/22	molex DOCUMENT NO. SD-500797-003 SHEET NO. 1 OF 2		
	30 OVER	±0.3	APPROVED BY M. SASAO	DATE 2005/04/22			
ANGULAR ±3 °	DRAFT WHERE APPLICABLE MUST REMAIN WITHIN DIMENSIONS		MATERIAL NO. SEE CHART		THIS DRAWING CONTAINS INFORMATION THAT IS PROPRIETARY TO MOLEX INCORPORATED AND SHOULD NOT BE USED WITHOUT WRITTEN PERMISSION		



参考基板レイアウト図
(マウント面)
(MOUNTING SIDE)

注記 NOTES

1. 使用材料 MATERIAL
 ハウジング : 液晶ポリマー ガラス充填 UL94V-0
 HOUSING : LIQUID CRYSTAL POLYMER (GLASS FILLED) UL94V-0
 アクチュエータ : ポリアミド9T ガラス充填 UL94V-0
 HOUSING : POLYAMIDE-9T (GLASS FILLED) UL94V-0
 ターミナル : 銅合金 (t=0.15), ニッケル下地金メッキ
 TERMINAL : COPPER ALLOY, GOLD OVER NICKEL PLATING.
 金具 : リン青銅 (t=0.15), ニッケル下地スズメッキ
 FITTING NAIL : PHOSPHOR-BRONZE, TIN OVER NICKEL PLATING.
 △ ソルダータール半田付け面のズレ量、及び金具半田付け面のズレ量は、基準面 \square に対し、
 上方向 0.1MAXIMUM 下方向 0.15MAXIMUM とする。
 又、相互のバラツキ量は 0.1MAXIMUM とする。
 MISALIGNMENT OF SOLDER TAILS AND FITTING NAILS FROM \square
 UPPER DIRECTION : 0.1 MAXIMUM, LOWER DIRECTION : 0.15 MAXIMUM.
 OFFSET BETWEEN SOLDER TAILS AND FITTING NAILS : 0.1 MAXIMUM.



適合F.P.C推奨寸法
 APPLICABLE FPC
 RECOMMENDED DIMENSION
 (仕上がり厚さ: 0.2±0.03)
 (THICKNESS: 0.2±0.03)

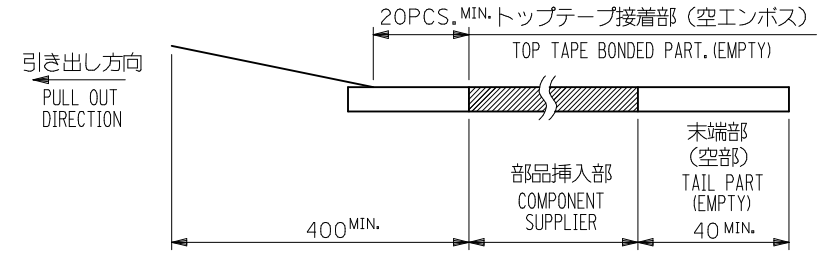
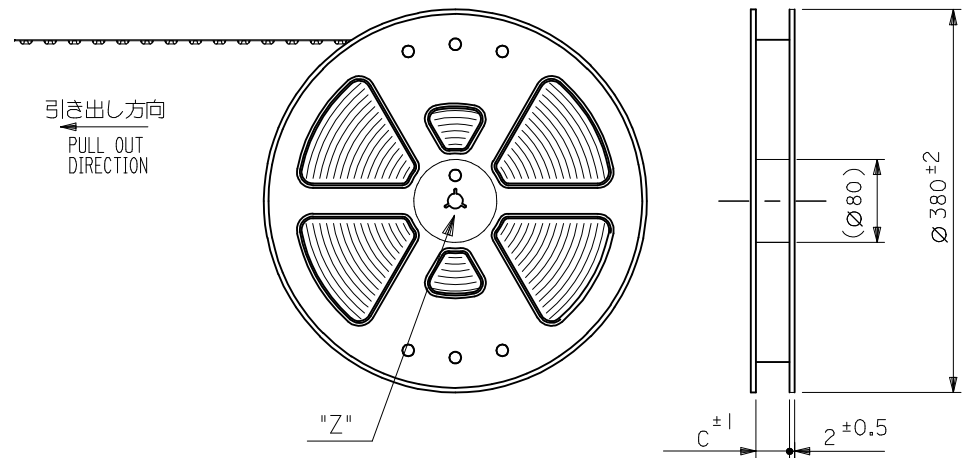
F.P.Cについて:
 打抜き方向は導体側から補強板側を推奨いたします。
 導体部については軟銅箔35マイクロメートルまたは50マイクロメートルを
 推奨致します。
 補強フィルム材質はポリイミドを推奨します。
 接着剤は熱硬化接着剤を推奨します。

ABOUT FPC
 RECOMMENDED PUNCHER DIRECTION : FROM CONDUCTOR SIDE TO STIFFENER FILM SIDE.
 RECOMMENDED CONDUCTOR SPEC :
 THICKNESS OF SOFT COPPER FOIL : 35 MICROMETER OR 50 MICROMETER
 RECOMMENDED MATERIAL :
 STIFFENER FILM : POLYIMIDE
 BONDING AGENT : THERMOSETTING BONDING AGENT

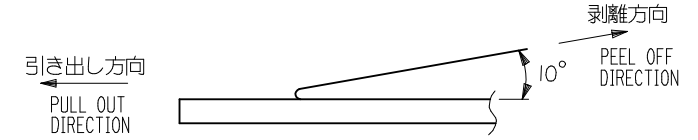
REVISED EC NO: J2014-1580 2014/04/22 DRWN: NIJUE01 2014/04/25 CHKD: H I JMA 2014/04/25 APPR: YNOGAWA 2014/04/25	DESCRIPTION	GENERAL TOLERANCES (UNLESS SPECIFIED)		DIMENSION STYLE MM ONLY		SCALE ---	DESIGN UNITS METRIC	MODEL NO. 500797-**30	
		10 UNDER	±0.2	DRAWN BY M. HAYASHI	DATE 2005/04/22	TITLE 0.3 FPC CONN E/O HSG ASSY (HGT=1.05MM) GOLD PLATING -LEAD FREE-			
		10 OVER 30 UNDER	±0.25	CHECKED BY H. HIRATA	DATE 2005/04/22				
		30 OVER	±0.3	APPROVED BY M. SASAO	DATE 2005/04/22				
		ANGULAR	±3 °	MATERIAL NO. SEE SHEET 1		DOCUMENT NO. SD-500797-003		SHEET NO. 2 OF 2	
		DRAFT WHERE APPLICABLE MUST REMAIN WITHIN DIMENSIONS		SIZE A3		THIS DRAWING CONTAINS INFORMATION THAT IS PROPRIETARY TO MOLEX INCORPORATED AND SHOULD NOT BE USED WITHOUT WRITTEN PERMISSION			

NOTES

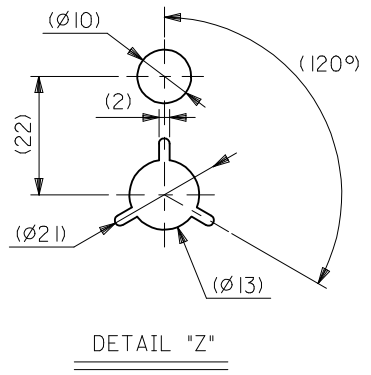
- 製品詳細寸法については図面 SD-500797-003 を参照下さい。
RE DETAILED DIMENSION, SEE SD-500797-003
- 梱包数量：3000個/リール
NUMBER OF CONNECTORS : 3000PCS/REEL
- リードテープ長さ LEAD TAPE LENGTH



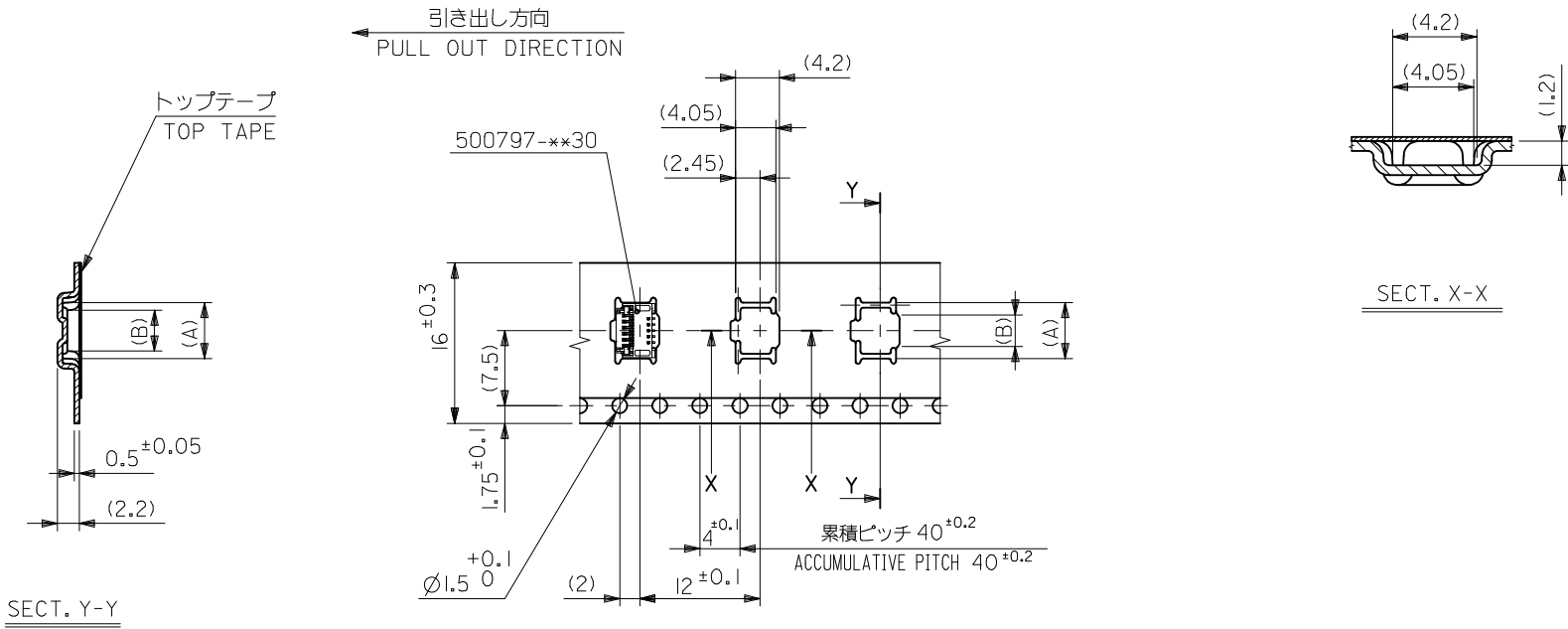
- トップテープの剥離強度：0.1N ~ 1.3N(10.2gf ~ 132.6gf)
(剥離方向は下図参照)
尚、本規格値は出荷時に適用。(但し、輸送時に剥離が発生しないこと。)
PEELING OFF FORCE OF TOP TAPE : 0.1N ~ 0.7N(10.2gf ~ 71.4gf)
(PEELING DIRECTION AS SHOWN IN FOLLOWING FIG,)
THIS REQUIREMENT SHOULD BE APPLIED AT SHIPMENT.
PEEL OFF SHOULD NOT BE ALLOWED , DURING TRANSPORTATION.



- 材料(MATERIAL)
キャリアテープ(CARRIER TAPE)：ポリプロピレン(POLYPROPYLENE)
トップテープ(TOP TAPE)：PET, PE, PEF
リール(REEL)：ポリスチレン(PS) <リサイクル材含む>
POLYSTYREN (PS) <RECYCLE MATERIAL CONTAINED>
- C寸法は SHEET 2 ~ 4 を参照下さい。
SEE SHEET 2 ~ 4 (DIMENSION C).
- 欠品無きこと。
THERE SHALL BE NO MISSING PRODUCTS.



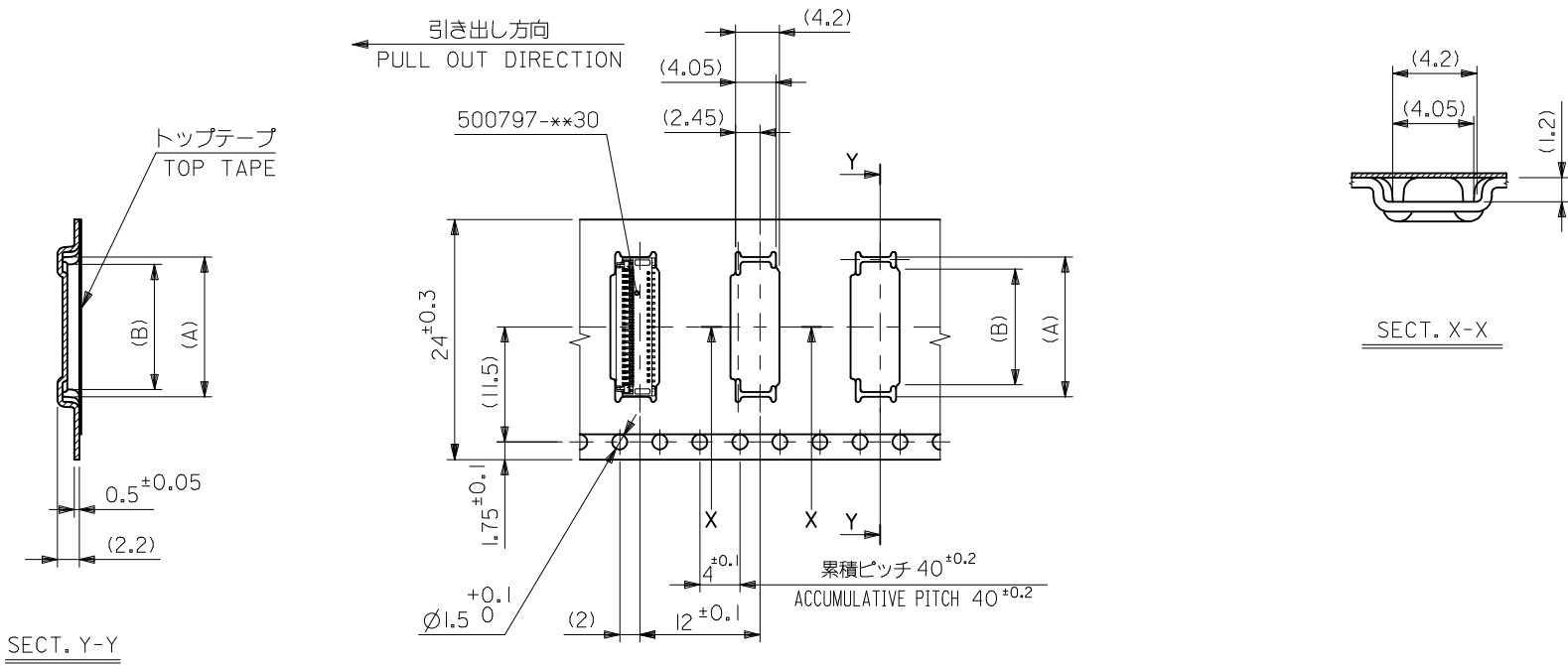
REVISED EC NO: J2014-1580 2014/04/22 DRAWN: INOUE01 2014/04/25 CHKD: HIJIMA 2014/04/25 APPR: YNOGAWA 2014/04/25	DESCRIPTION REV	GENERAL TOLERANCES (UNLESS SPECIFIED)		DIMENSION STYLE MM ONLY		SCALE ---	500797-**92	MODEL NO.
		10 UNDER ±0.2		DRAWN BY M. HAYASH		DATE '05/05/13	DESIGN UNITS METRIC	
		10 OVER 30 UNDER ±0.25		CHECKED BY H. HIRATA		DATE '05/05/13	THIRD ANGLE PROJECTION	
		30 OVER ±0.3		APPROVED BY M. SASAO		DATE '05/05/13	TITLE EMBSTP PKG FOR 0.3 FPC CONN (HGT=1.05MM) GOLD PLATING -LEAD FREE-	
ANGULAR ±3 °		MATERIAL NO.		DOCUMENT NO.		SHEET NO.		
DRAFT WHERE APPLICABLE MUST REMAIN WITHIN DIMENSIONS		SEE CHART		SD-500797-004		1 OF 4		
SIZE A3		THIS DRAWING CONTAINS INFORMATION THAT IS PROPRIETARY TO MOLEX INCORPORATED AND SHOULD NOT BE USED WITHOUT WRITTEN PERMISSION						



16mm幅キャリアテープ
16mm WIDTH CARRIER TAPE

500797-**92 MODEL No.

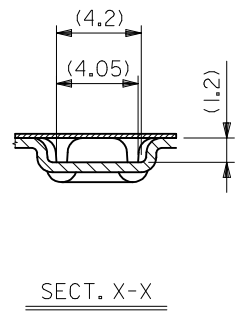
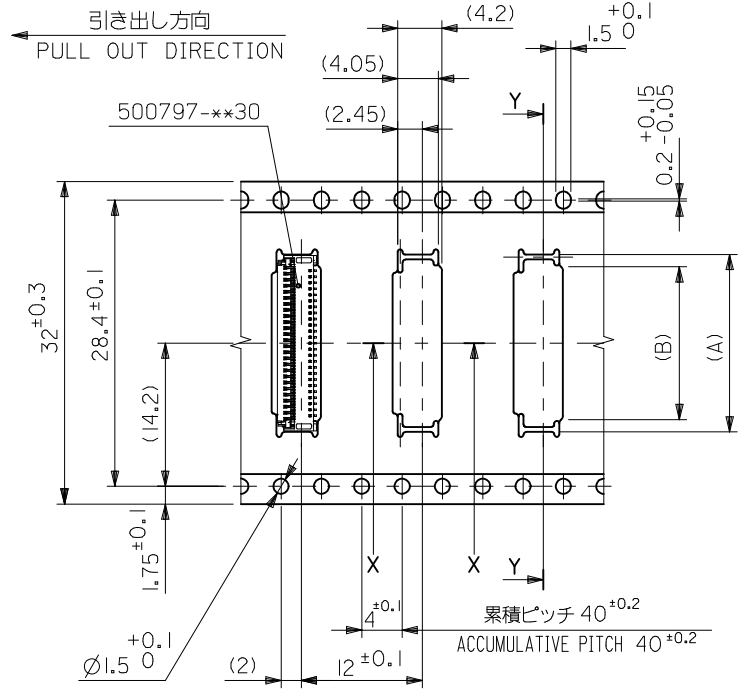
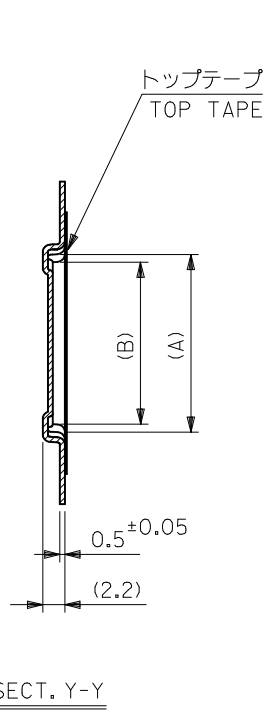
REVISED EC NO: J2014-1580 DRWN: INOUE01 2014/04/25 CHKD: HIJIMA 2014/04/25 APPR: YNOGAWA 2014/04/25	GENERAL TOLERANCES (UNLESS SPECIFIED)		DIMENSION STYLE MM ONLY		SCALE ---	DESIGN UNITS METRIC	THIRD ANGLE PROJECTION
	10 UNDER	±0.2	DRAWN BY M. HAYASH	DATE '05/05/13	TITLE EMBSTP PKG FOR 0.3 FPC CONN (HGT=1.05MM) GOLD PLATING -LEAD FREE-		
	10 OVER 30 UNDER	±0.25	CHECKED BY H. HIRATA	DATE '05/05/13	molex DOCUMENT NO. SD-500797-004 SHEET NO. 2 OF 4		
	30 OVER	±0.3	APPROVED BY M. SASAO	DATE '05/05/13			
	ANGULAR	±3 °	MATERIAL NO. SEE CHART		THIS DRAWING CONTAINS INFORMATION THAT IS PROPRIETARY TO MOLEX INCORPORATED AND SHOULD NOT BE USED WITHOUT WRITTEN PERMISSION		
DRAFT WHERE APPLICABLE MUST REMAIN WITHIN DIMENSIONS		SIZE A3					



24mm幅キャリアテープ
24mm WIDTH CARRIER TAPE

24	25.5	11.8	14.0	500797-3992	39
		10.6	12.8	500797-3592	35
キャリアテープ幅 CARRIER TAPE WIDTH	C	(B)	(A)	製品番号 MATERIAL No.	極数 Ck+
				500797-***92	MODEL No.

REVISED EC NO: J2014-1580 2014/04/25 DRWN: INOUE01 2014/04/25 CHKD: H I JMA 2014/04/25 APPR: YNOGAWA 2014/04/25	GENERAL TOLERANCES (UNLESS SPECIFIED)		DIMENSION STYLE MM ONLY	SCALE ---	DESIGN UNITS METRIC	THIRD ANGLE PROJECTION
	10 UNDER	±0.2	DRAWN BY M. HAYASH	DATE '05/05/13	TITLE EMBSTP PKG FOR 0.3 FPC CONN (HGT=1.05MM) GOLD PLATING -LEAD FREE- molex DOCUMENT NO. SD-500797-004 SHEET NO. 3 OF 4	
	10 OVER 30 UNDER	±0.25	CHECKED BY H. HIRATA	DATE '05/05/13		
	30 OVER	±0.3	APPROVED BY M. SASAO	DATE '05/05/13		
ANGULAR ±3 °		MATERIAL NO.	SEE CHART			
DRAFT WHERE APPLICABLE MUST REMAIN WITHIN DIMENSIONS		SIZE A3	THIS DRAWING CONTAINS INFORMATION THAT IS PROPRIETARY TO MOLEX INCORPORATED AND SHOULD NOT BE USED WITHOUT WRITTEN PERMISSION			



32mm幅キャリアテープ
32mm WIDTH CARRIER TAPE

32	33.5	15.4	17.6	500797-5192	51
キャリアテープ幅 CARRIER TAPE WIDTH	C	(B)	(A)	製品番号 MATERIAL No.	極数 Ck+
				500797-**92	MODEL No.

REVISED EC NO: J2014-1580 2014/04/22 DRWN: INOUE01 2014/04/25 CHKD: HIJIMA 2014/04/25 APPR: YNOGAWA 2014/04/25	DESCRIPTION GENERAL TOLERANCES (UNLESS SPECIFIED) 10 UNDER ±0.2 10 OVER 30 UNDER ±0.25 30 OVER ±0.3 ANGULAR ±3 ° DRAFT WHERE APPLICABLE MUST REMAIN WITHIN DIMENSIONS	DIMENSION STYLE MM ONLY	SCALE ---	DESIGN UNITS METRIC	THIRD ANGLE PROJECTION		
		DRAWN BY M. HAYASH	DATE '05/05/13	TITLE EMBSTP PKG FOR 0.3 FPC CONN (HGT=1.05MM) GOLD PLATING -LEAD FREE-			
		CHECKED BY H. HIRATA	DATE '05/05/13	molex			
		APPROVED BY M. SASAO	DATE '05/05/13				
MATERIAL NO. SEE CHART	DOCUMENT NO. SD-500797-004	SHEET NO. 4 OF 4					