

## Product Change Notification

### PCN-ICC-1907-2018

Business Unit	Product Line Code	Type of Change	Action	Date of Issue
ICC - Industrial Cabinet	BE2	Product Change Notification	Notify Distributors and Field	7/10/2018

*The following Phoenix Contact products have been modified. Existing specifications will be met or exceeded. Please review and acknowledge this document and inform your personnel as needed.*

#### Description for Product Change Notification

In consideration to the continuous improvement of Phoenix Contact terminal blocks, there will be a product change which will affect the mentioned articles of the PTTB 2.5/2P series. The change affects the current bar, the push button and the plastic housing. The product change has no influence on handling, ergonomics, or the top view design on the block. Old and new designs remain the same shape.

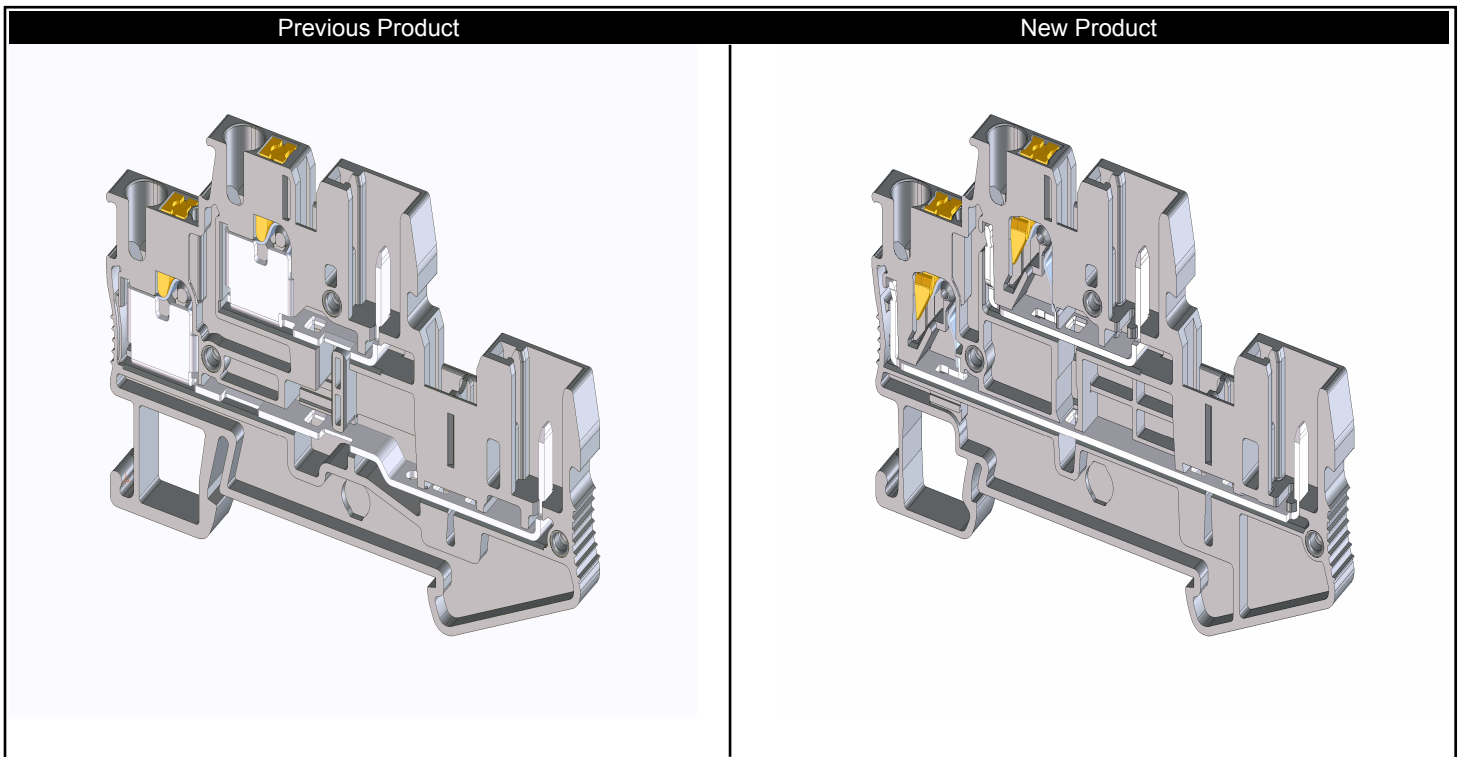
The existing accessories are still suitable with one exception; the PE version and the PV version do not offer the upper bridging channel after the design change.

#### Stock Status

Can existing stock still be used?	Yes
Is mixture of stock acceptable?	Yes

#### Transaction Dates

Date modification goes into effect from Germany:	7/4/2018
Expected first shipment (from Phoenix Contact) of the modified products(s):	7/8/2019





Phoenix Contact Inc.  
P.O. BOX 4100  
Harrisburg, PA 17111-0100  
Phone: 717-944-1300  
Fax: 717-944-1625

## Product Change Notification

*Should you have any issues with the timeline or content of this product change, please contact Phoenix Contact using the information below. Customers should acknowledge receipt of the PCN within 30 days of delivery of the PCN; provided, however, that the failure to acknowledge receipt does not affect the product change or the effective date thereof.*

**Contact Info:**

Cory Myer  
cmyer@phoenixcon.com

Thank you,

*Alan P. Sappe'*

---

Alan Sappe

Product Marketing Manager - Industrial Cabinet Conn.



Phoenix Contact Inc.  
P.O. BOX 4100  
Harrisburg, PA 17111-0100  
Phone: 717-944-1300  
Fax: 717-944-1625

## Product Change Notification

Part #	Type Description
3210871	PTTB 2,5/2P
3210884	PTTB 2,5/2P BU
3210897	PTTB 2,5/2P-PE
3210907	PTTB 2,5/2P-PV