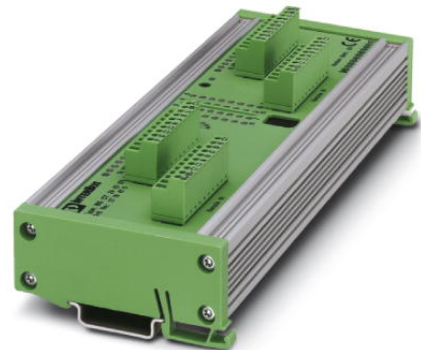



IBS CT 24 IO GT-T

Order No.: 2719470



<http://eshop.phoenixcontact.de/phoenix/treeViewClick.do?UID=2719470>

Coupling module (gateway), I/O coupling module for two INTERBUS systems, 24 V DC, IP20 protection, with MINI-COMBICON remote bus connection

Commercial data	
GTIN (EAN)	 4 017918 126940
sales group	K030
Pack	1 pcs.
Customs tariff	85389091
Catalog page information	Page 124 (AX-2005)

<http://www.download.phoenixcontact.com>
Please note that the data given here has been taken from the online catalog. For comprehensive information and data, please refer to the user documentation. The General Terms and Conditions of Use apply to Internet downloads.

Product description

INTERBUS CT coupling module (gateway) for two INTERBUS systems

INTERBUS CT coupling modules connect two INTERBUS systems together on the input/output level. In their function, they correspond to two normal I/O modules, the inputs and outputs of which are connected crosswise. In this way, INTERBUS can be used to facilitate bi-directional data transfer between any two control systems. The extent of the data can be up to ten words (160 bits) per cycle. The data width can be configured between one byte and ten words by means of a rotary switch (byte configuration is only possible in Generation 4 controller boards). The selected data word (or byte) is shown on a 7-segment display.

The modules are installed directly in the INTERBUS remote bus. In the IBS CT 24 IO GT-T module, the bus is connected via plug-in MINI-COMBICON terminals. The IBS CT 24 IO GT-LK fiber optic module has F-SMA plug connectors.

The modules are equipped with electrically isolated bus lines as well as a redundant supply of the 24 V power.

Sixteen status LEDs assigned to each bus line are used to display the signal states.

A button located on the module permits the current output word or byte of the specific remote bus to be displayed. In this case, the output information for one bus is the input information of the other.

Technical data

Interfaces

Interface	INTERBUS remote bus (incoming/outgoing)
Type of connection	10-pos. MINI-COMBICON connector
Transmission speed	500 kBit/s

Power supply

Typical current consumption	240 mA
Supply voltage	24 V DC
Supply voltage range	19.2 V ... 30 V

Electrical isolation

Test section	Supply voltage/logics 500 V AC 50 Hz 1 min
	Supply voltage/functional earth ground 500 V AC 50 Hz 1 min
	Logics/functional earth ground 500 V AC 50 Hz 1 min
	INTERBUS system 1/INTERBUS system 2 500 V AC 50 Hz 1 min

INTERBUS data

Maximum distance to the next remote bus device	400 m
--	-------

General data

Width	204 mm
Height	77 mm
Depth	37 mm
Weight	240 g
Degree of protection	IP20
Ambient temperature (operation)	-20 °C ... 70 °C

Certificates / Approvals



Certification

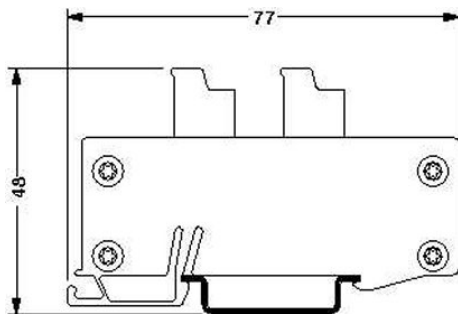
GOST

Accessories

Item	Designation	Description
Assembly		
2722742	IBS RB-SHIELD	Replacement shield point, for INTERBUS-ST bus terminal block BKM-...
Plug/Adapter		
2722768	IBS RB PLSET/Front-MC 1,5/10	Replacement remote bus connector set

Diagrams/Drawings

Dimensioned drawing



FAQs

- **When does an alteration to the setting of the process data length become valid?**

The new value set in the coupling module for the process data length is not adopted until the supply voltage for the module has been switched off once. To adopt the new setting, disconnect the module briefly from the supply voltage. Make sure that the altered process data length is also entered in the configuration in the controller board. Do not use the S2 key to acknowledge disconnection of the module, as otherwise an internal test function is started. It is only possible to quit the test mode by switching off the supply voltage.

Address

PHOENIX CONTACT Inc., USA
586 Fulling Mill Road
Middletown, PA 17057, USA
Phone (800) 888-7388
Fax (717) 944-1625
<http://www.phoenixcon.com>



© 2011 Phoenix Contact
Technical modifications reserved;