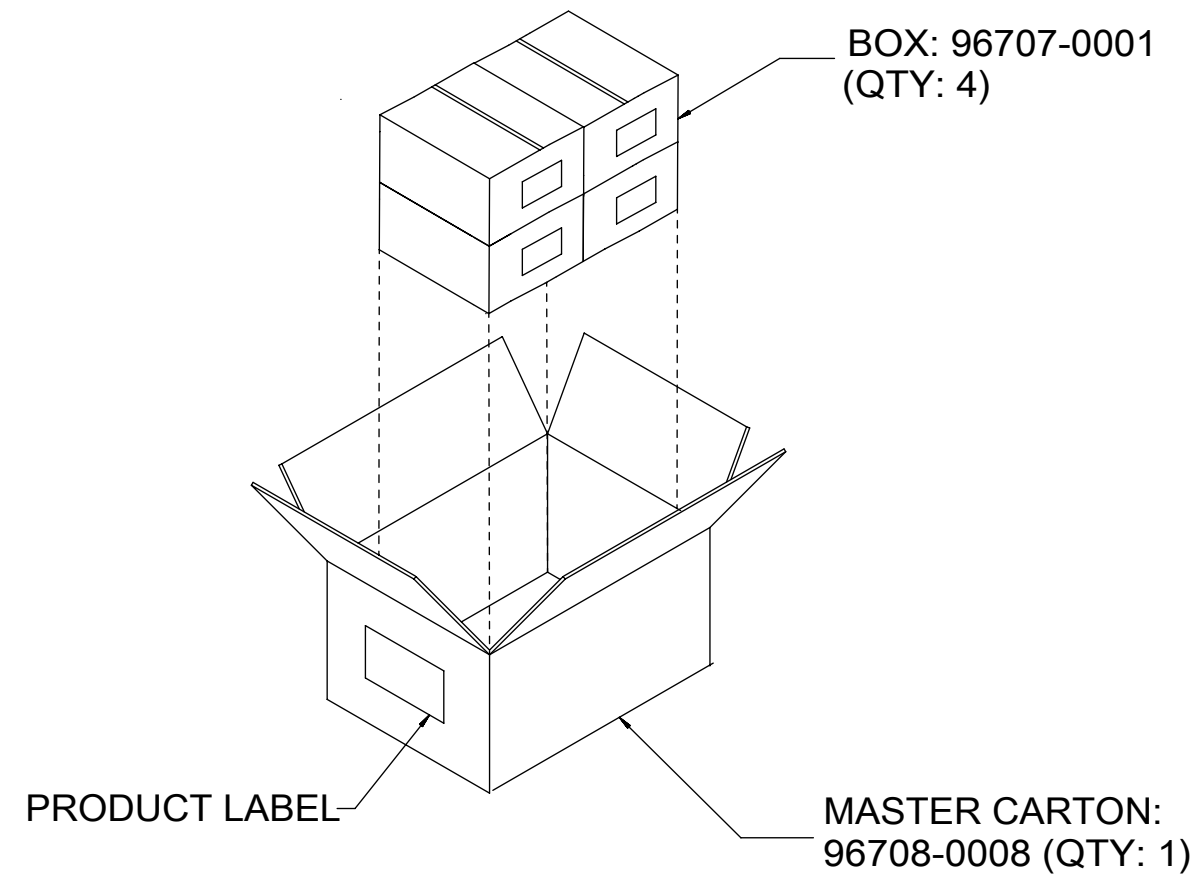
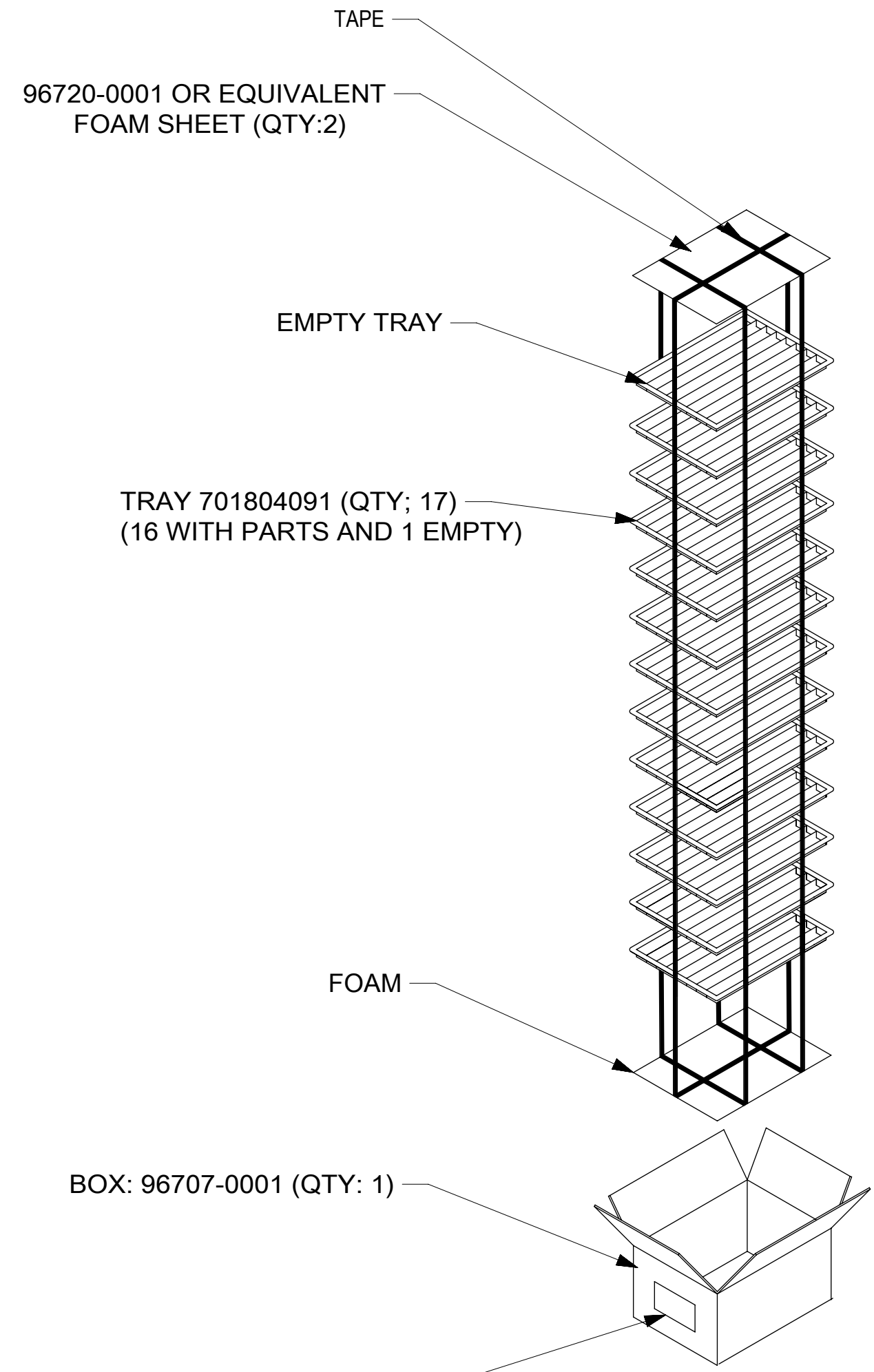
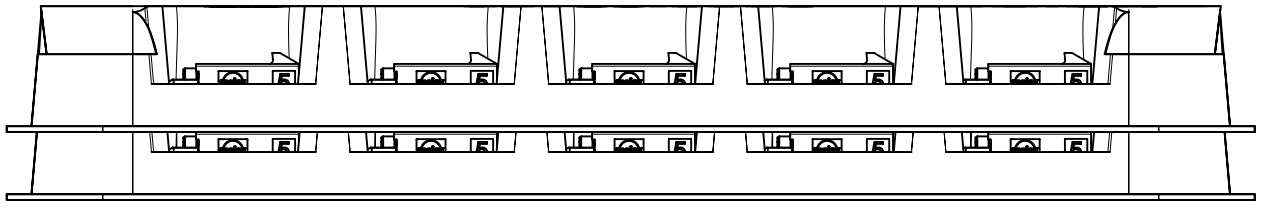
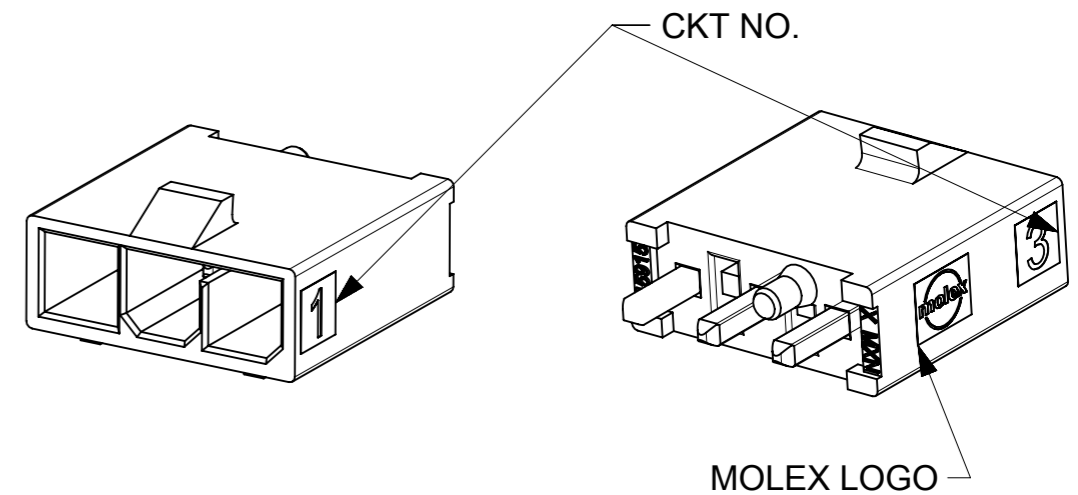
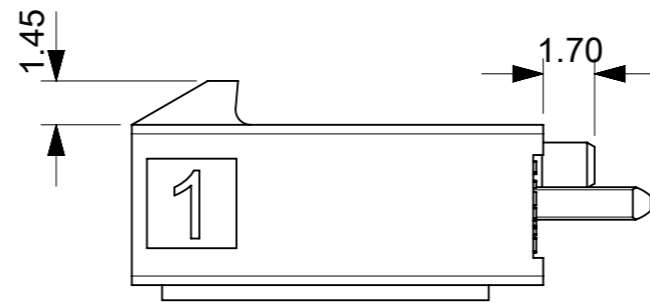
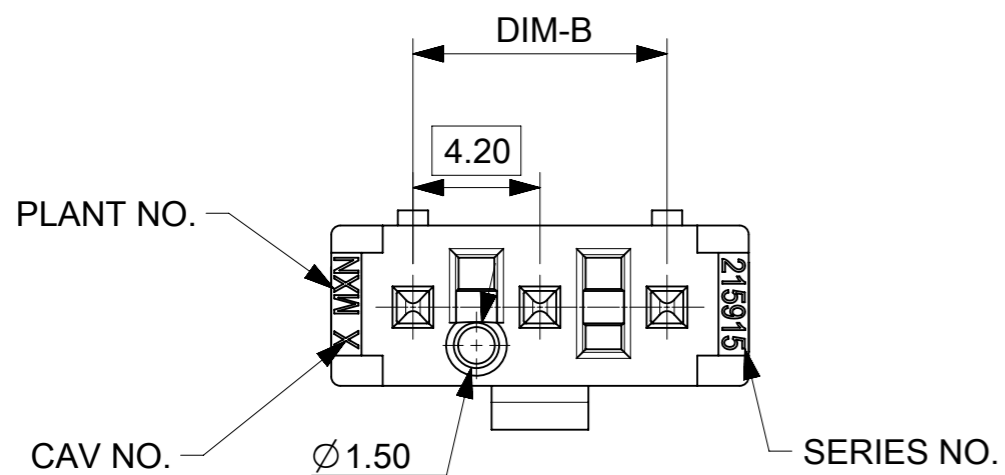
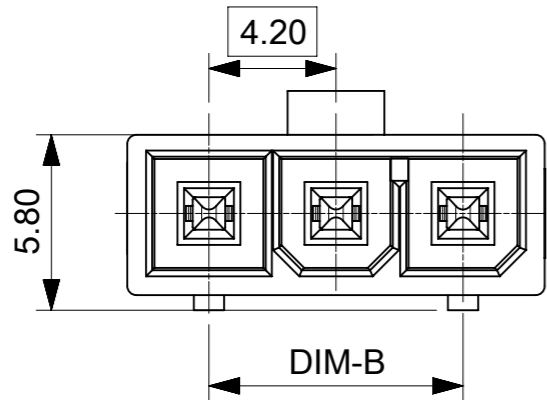
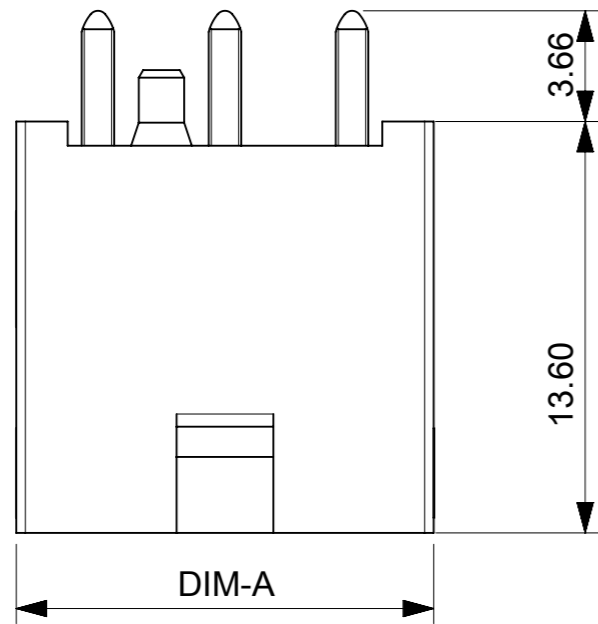


NO. OF CKTS	PARTS PER TRAY	PARTS PER BOX	STD. PACK QUANTITY PER MASTER CARTON
2	160	2720	10880
3	115	1955	7820
4	85	1445	5780
5	70	1190	4760
6	60	1020	4080



FUNCTIONAL SYMBOLS $\nabla_A = 0$ $\nabla_C = 0$ $\nabla_P = 0$ DIVISIONAL SYMBOLS	THIS DRAWING CONTAINS INFORMATION THAT IS PROPRIETARY TO MOLEX ELECTRONIC TECHNOLOGIES, LLC AND SHOULD NOT BE USED WITHOUT WRITTEN PERMISSION													
	DIMENSION UNITS		SCALE		CURRENT REV DESC:						 MINI FIT MAX SR PK MINI-FIT JR VERT HDR 46207 SERIES IN LCP			
	INCH		NTS		EC NO: 675586 DRWN: ZIXUAQ 2021/08/20 CHK'D: YXZHENG 2021/08/30 APPR: YXZHENG 2021/08/30									
	GENERAL TOLERANCES (UNLESS SPECIFIED)				MM		INCH		INITIAL REVISION:		DOCUMENT NUMBER		DOC TYPE	DOC PART
4 PLACES		±		±		±		DRWN: DRAWN BY 0099/99/99		2159150000-PK		PSD	000	A
3 PLACES		±		±		±		APPR: APPR BY 0099/99/99		SEE TABLE		GENERAL MARKET		SHEET NUMBER
2 PLACES		± 0.25		±		±		THIRD ANGLE PROJECTION		MATERIAL NUMBER		CUSTOMER		1 OF 1
1 PLACE		± 0.35		±		±		DRAWING		SERIES				
0 PLACES		±		±		±		C-SIZE		215915				
DRAFT WHERE APPLICABLE MUST REMAIN WITHIN DIMENSIONS														

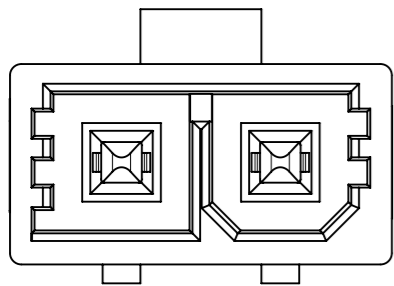
DOCUMENT STATUS	P1	RELEASE DATE	2021/08/30	01:38:07
-----------------	----	--------------	------------	----------



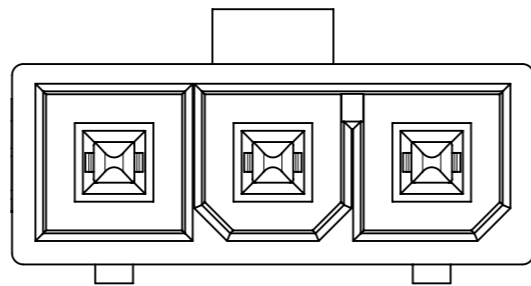
NOTES:

1. MATERIAL:
HOUSING: LCP, UL94V-0, BLACK;
TERMINAL: COPPER.
2. TERMINAL PLATING:
TIN OVER NICKEL OVERALL.
3. PRODUCT SPECIFICATION 2125150000-PS.
4. PARTS TO BE PACKAGED PER 2159150000-PK.
5. PART MATES WITH MOLEX PART NUMBER 212514 SERIES.
6. DISCOLORIZATION IN THE BANDOLIER CARRIER AREA OF THE PIN IS INHERENT TO THE PLATING PROCESS AND IS DUE TO THE MASKING EFFECT OF THE CARRIER. THIS DISCOLORIZATION IS A NON-FUNCTIONAL AREA OF THE PIN AND WILL NOT AFFECT THE PERFORMANCE OF THE HEADER ASSEMBLY.
7. CONNECTORS ARE NOT TO BE MATED OR UNMATED WHILE CIRCUITS ARE LIVE.
8. PARTS ARE NOT DESIGNED FOR CURRENT SHARING.
9. PARTS CONFORM TO CLASS "B" REQUIREMENTS OF COSMETIC SPECIFICATION PS-45499-002.
10. TEXT ON PART IS FOR REFERENCE ONLY. TEXT AND TEXT LOCATION MAY VARY DEPENDING ON PART NUMBER AND/OR TOOL.

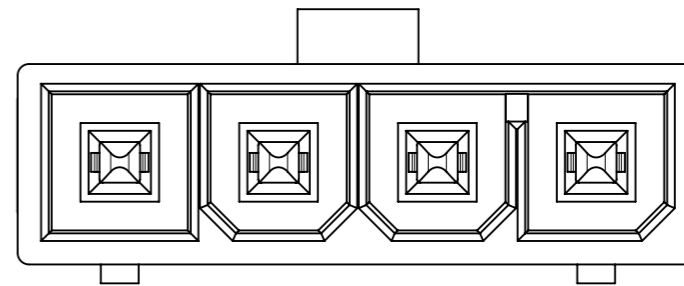
FUNCTIONAL SYMBOLS	THIS DRAWING CONTAINS INFORMATION THAT IS PROPRIETARY TO MOLEX ELECTRONIC TECHNOLOGIES, LLC AND SHOULD NOT BE USED WITHOUT WRITTEN PERMISSION		CURRENT REV DESC:		molex			
	△/A = 0	mm	SCALE 4:1					
△/E = 0	GENERAL TOLERANCES (UNLESS SPECIFIED)				MINI-FIT MAX SR HDR VERT			
△/V = 0	ANGULAR TOL ± 0.5°							
DIVISIONAL SYMBOLS	4 PLACES	±	EC NO: 715655	2022/07/27	PRODUCT CUSTOMER DRAWING			
	3 PLACES	±	DRWN: ZIXUAQ	2022/08/03				
	2 PLACES	±	CHK'D: XQZHANG	2022/08/03				
	1 PLACE	±	APPR: XQZHANG	2022/08/03				
	0 PLACES	±	INITIAL REVISION:					
DRAFT WHERE APPLICABLE MUST REMAIN WITHIN DIMENSIONS		THIRD ANGLE PROJECTION	DRAWING	SERIES	DOCUMENT NUMBER	DOC TYPE	DOC PART	REVISION
			A3-SIZE	215915	2159150000-SD	PSD	000	A2
					SEE TABLE	GENERAL CUSTOMER		SHEET NUMBER 1 OF 2



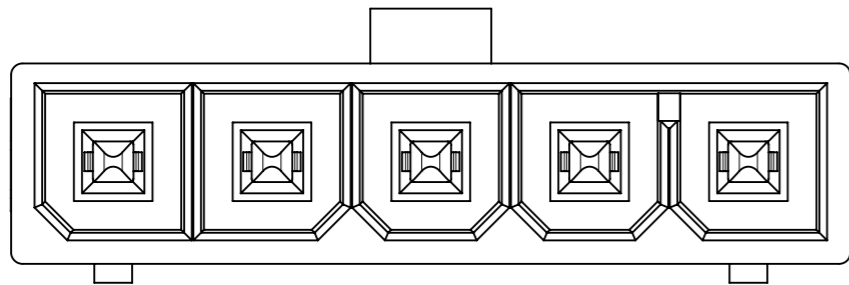
2CKT



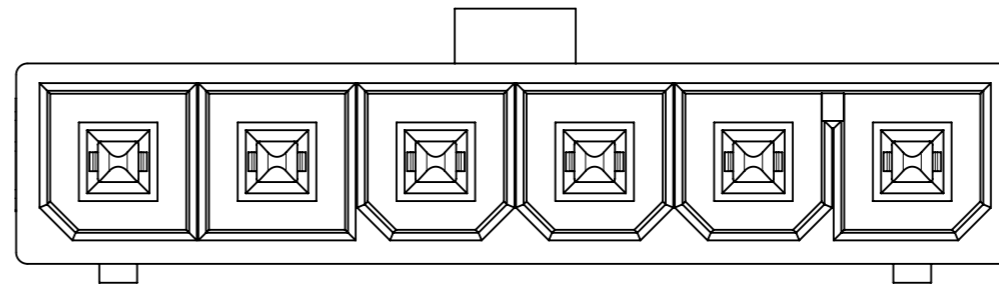
3CKT



4CKT

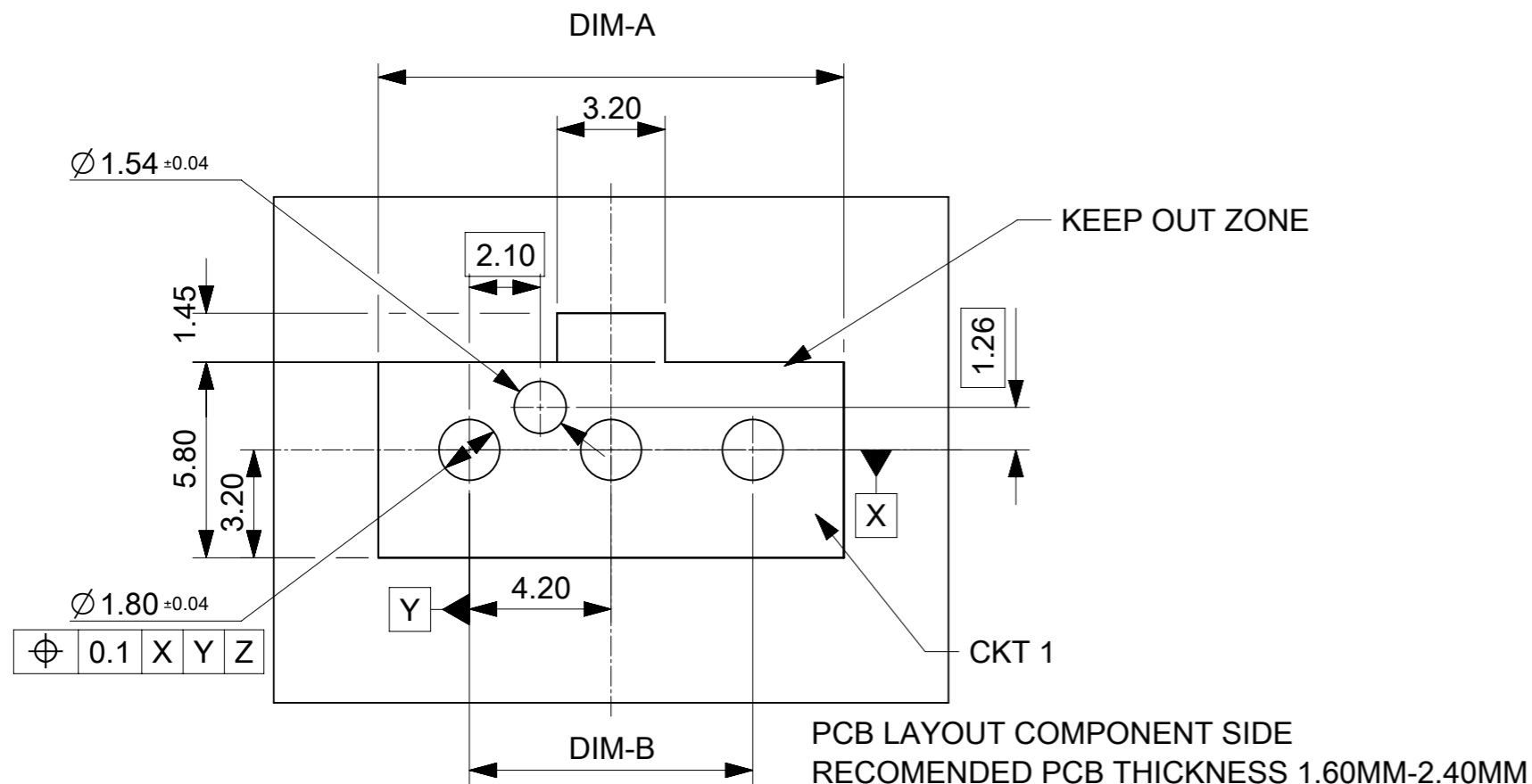


5CKT



6CKT

CKT SIZE	ASSEMBLY HEADER			DIM-A	DIM-B
	PART NUMBER	PLATING	COLOR		
2	215915-1002	TIN	BLACK	10.10	4.20
3	215915-1003			13.80	8.40
4	215915-1004			18.00	12.60
5	215915-1005			22.20	16.80
6	215915-1006			26.40	21.00



FUNCTIONAL SYMBOLS	THIS DRAWING CONTAINS INFORMATION THAT IS PROPRIETARY TO MOLEX ELECTRONIC TECHNOLOGIES, LLC AND SHOULD NOT BE USED WITHOUT WRITTEN PERMISSION		CURRENT REV DESC:				
	$\nabla_A = 0$ $\nabla_E = 0$ $\nabla_V = 0$	DIMENSION UNITS: mm SCALE: 5:1	GENERAL TOLERANCES (UNLESS SPECIFIED) ANGULAR TOL ± 0.5°				
DIVISIONAL SYMBOLS	4 PLACES ±	EC NO: 715655	2022/07/27	PRODUCT CUSTOMER DRAWING			
	3 PLACES ±	DRWN: ZIXUAQ	2022/08/03				
	2 PLACES ± 0.25	CHK'D: XQZHANG	2022/08/03	DOCUMENT NUMBER: 2159150000-SD DOC TYPE: PSD DOC PART: 000 REVISION: A2			
	1 PLACE ± 0.5	APPR: XQZHANG					
	0 PLACES ±	INITIAL REVISION:		MATERIAL NUMBER: SEE TABLE CUSTOMER: GENERAL CUSTOMER			
		DRWN: ZIXUAQ	2021/05/24				
		APPR: YXZHENG	2021/07/19	SHEET NUMBER: 2 OF 2			
DRAFT WHERE APPLICABLE MUST REMAIN WITHIN DIMENSIONS		THIRD ANGLE PROJECTION	DRAWING: A3-SIZE	SERIES: 215915			