

4

3

2

1

THIS DRAWING IS UNPUBLISHED.

RELEASED FOR PUBLICATION

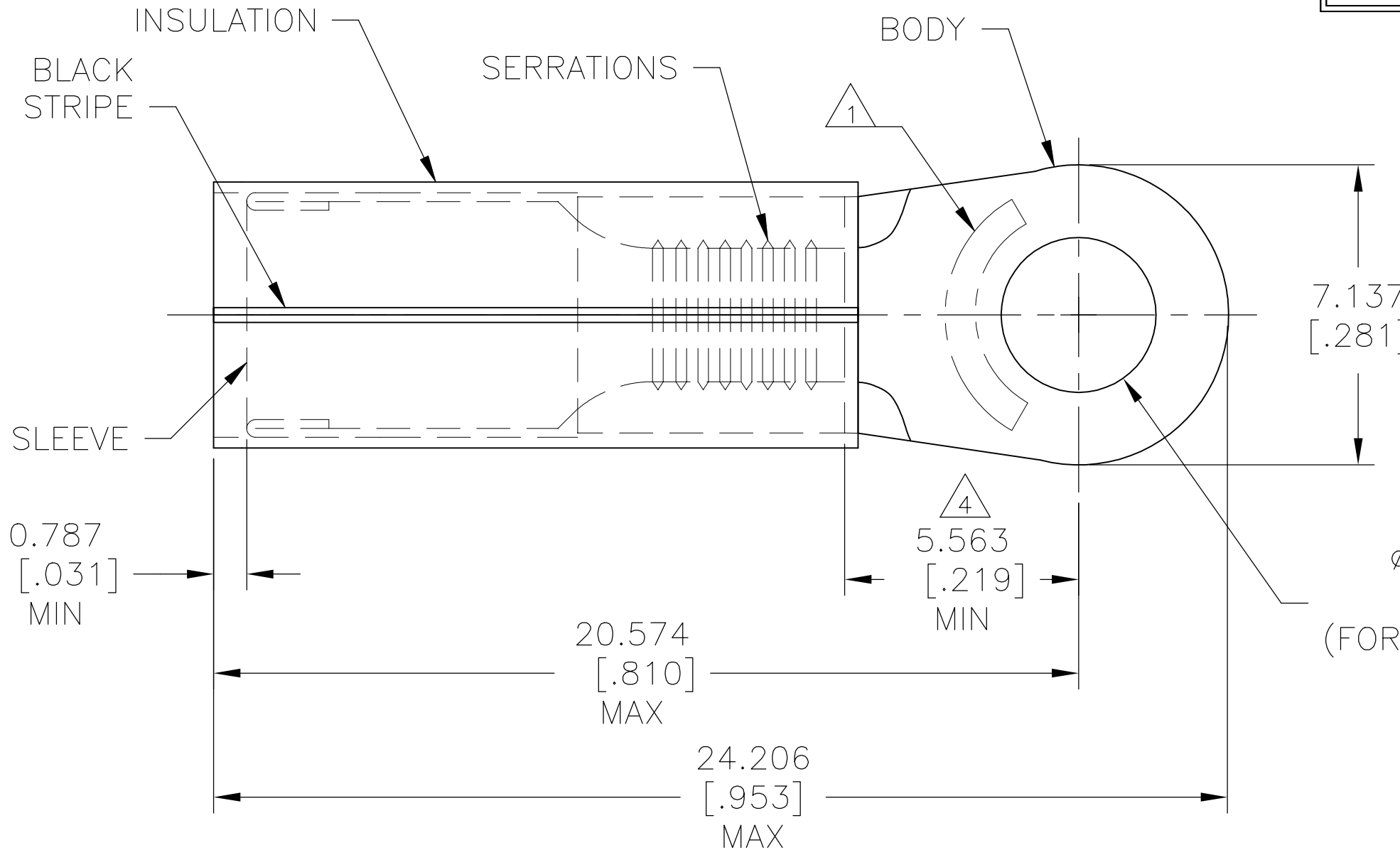
ALL RIGHTS RESERVED.

© COPYRIGHT - By -

REVISIONS

P	LTR	DESCRIPTION	DATE	DWN	APVD
	K	REVISED PER ECO-14-015277	27FEB2015	NK	DR
	K1	REVISED PER ECO-17-008114	31MAY2018	RS	DR

AMP WIRE RANGE	E13288 Listed	LR7189 Certified
16-14 AWG SOLID OR STRANDED	16-14 AWG SOLID OR STRANDED	16-14 AWG SOLID OR STRANDED



- 1 STAMP AMP 16-14 HD* LOCATED APPROX AS SHOWN
- 2 FOR 3.810-6.350 [.150-.250] WIRE INSULATION DIA
- 3 BODY MATERIAL THK: 1.219±0.051 [.048±.002]
- 4 APPLIES FROM EDGE OF METAL WIRE BARREL TO CENTER OF STUD HOLE

500	LOOSE PIECE	35634
QTY	DESCRIPTION	PART NO.

AMP INCORPORATED
CUSTOMER SERVICE SYSTEMS

THIS DRAWING IS A CONTROLLED DOCUMENT.

DWN	20AUG99
CHK	JR RUTH
APVD	20AUG99
PRODUCT SPEC	T MICHIELUTTI
APPLICATION SPEC	T MICHIELUTTI



FOR ADDITIONAL PRODUCT INFORMATION OR COPIES OF DRAWINGS AND TECHNICAL DOCUMENTS	PRODUCT INFORMATION CENTER 1-800-522-6752
FOR APPLICATION TOOLING INFORMATION	TOOLING ASSISTANCE CENTER 1-800-722-1111
FOR ORDER ENTRY	1-800-526-5142

MAX RECOMMENDED OPERATING TEMPERATURE: 105°C [221°F]
VOLTAGE RATING: 300 V MAX
WIRE CROSS SECTIONAL AREA RANGE, 1.04-2.62mm²[2,050-5,180] CIR MILS SOLID OR STRANDED

DIMENSIONS: mm [INCHES]	TOLERANCES UNLESS OTHERWISE SPECIFIED:
	0 PLC ± -
	1 PLC ± -
	2 PLC ± -
	3 PLC ± 0.127[.005]
	4 PLC ± -
	ANGLES ± 5°
MATERIAL BODY - COPPER (ASTM B152) SLEEVE - COPPER (ASTM B152) INSULATION - NYLON, YELLOW	FINISH BODY - TIN PLATE (ASTM B545)

UL 486 A-B
114-2157
CUSTOMER DRAWING

NAME TERMINAL, RING TONGUE, PIDG, WIRE SIZE: 16-14 HD			
SIZE	CAGE CODE	DRAWING NO	RESTRICTED TO
A3	00779	C-35634	-
SCALE	SHEET	REV	
8:1	1 OF 1	K1	