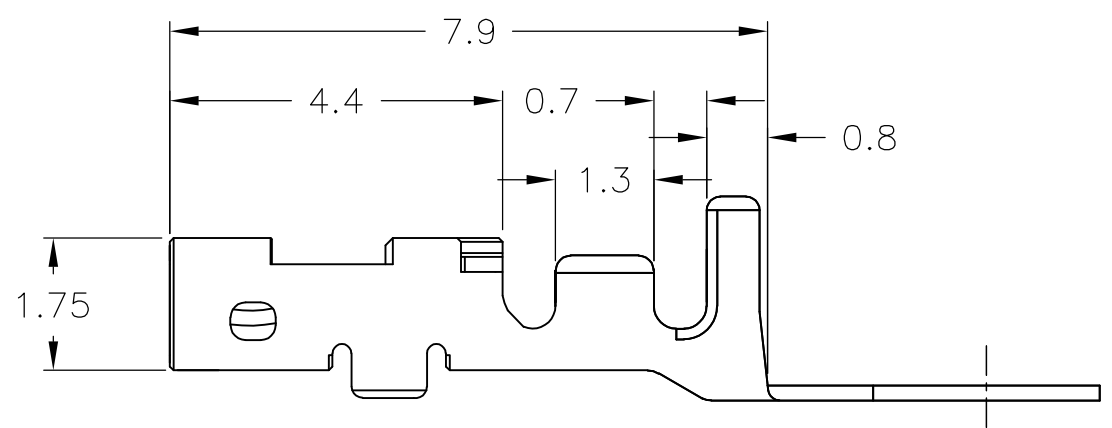
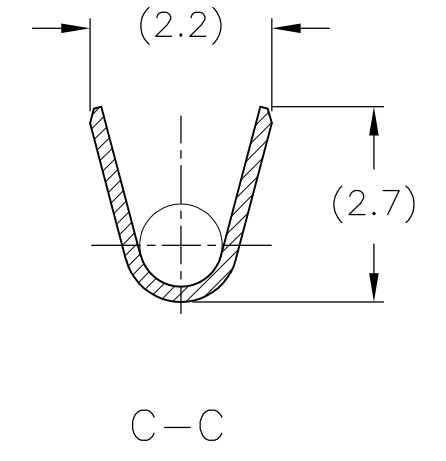
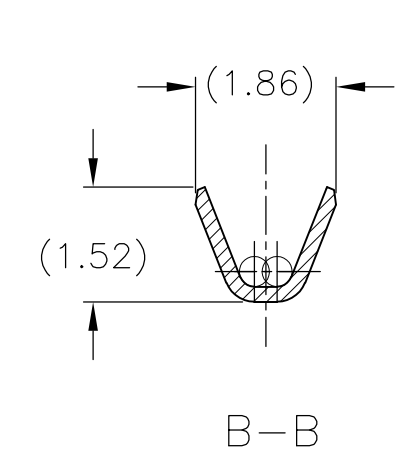
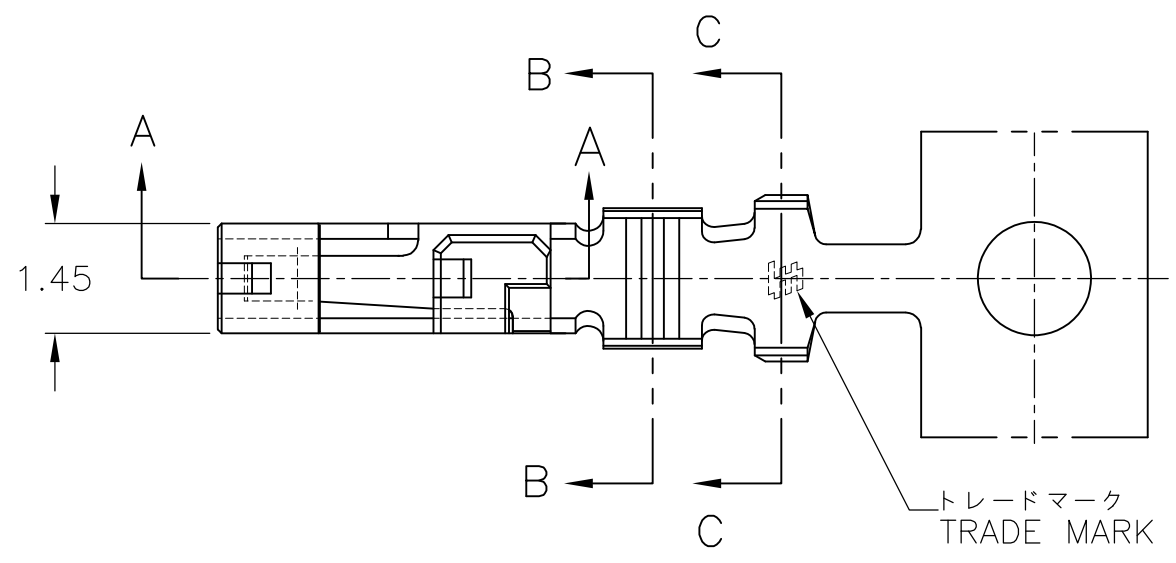


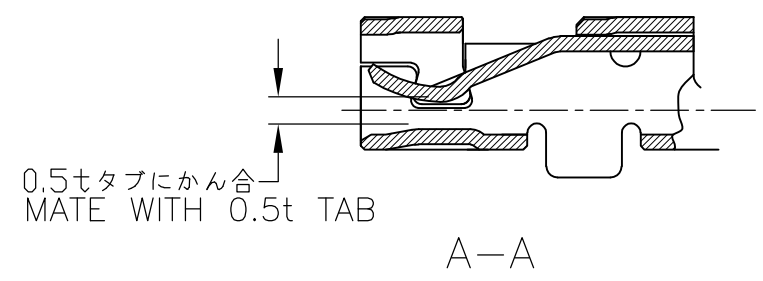
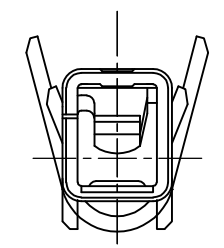
THIS DRAWING IS UNPUBLISHED. RELEASED FOR PUBLICATION NOV. 2004.
 © COPYRIGHT 2004 BY TYCO ELECTRONICS CORPORATION. ALL INTERNATIONAL RIGHTS RESERVED.

LOC	DIST	REVISIONS 変更			DATE	DWN	APVD
J	/	P	LTR	DESCRIPTION			
		C		REVISED ECR-10-010452	27MAY2010	T.T	T.M



1 適用プラグ・ハウジング型番
X-1827228-6

1 APPLICABLE PLUG HOUSING P/N
X-1827228-6



AWG#28~#22 0.079~0.38mm ²	φ1.08~φ1.5	PRE-TIN COPPER ALLOY 錫めっき済銅合金	1827290-1
WIRE RANGE 導体断面積	INSULATION DIA 被覆外径	MATERIAL 材料	PART NO. 型番

THIS DRAWING IS A CONTROLLED DOCUMENT.		DWN J.SATO 10NOV2004	Tyco Electronics Corporation Kawasaki, Japan	
DIMENSIONS: 単位: 概 mm	TOLERANCES UNLESS OTHERWISE SPECIFIED: 一般公差	CHK A.OISHI 10NOV2004	NAME 名称 GRACE INERTIA CONNECTOR 2.0 AND 2.5 REC CONTACT TIN PLATE TYPE	
		APVD N.YAMASAKI 10NOV2004	PRODUCT SPEC 製品規格 108-78229	
MATERIAL 材料 SEE TABLE	FINISH 仕上	APPLICATION SPEC 取付適用規格 114-5359	SIZE A3	CAGE CODE 00779
		WEIGHT	DRAWING NO 番号 G-1827290	RESTRICTED TO —
CUSTOMER DRAWING			SCALE 尺度 10:1	SHEET 1 OF 1
			REV C	